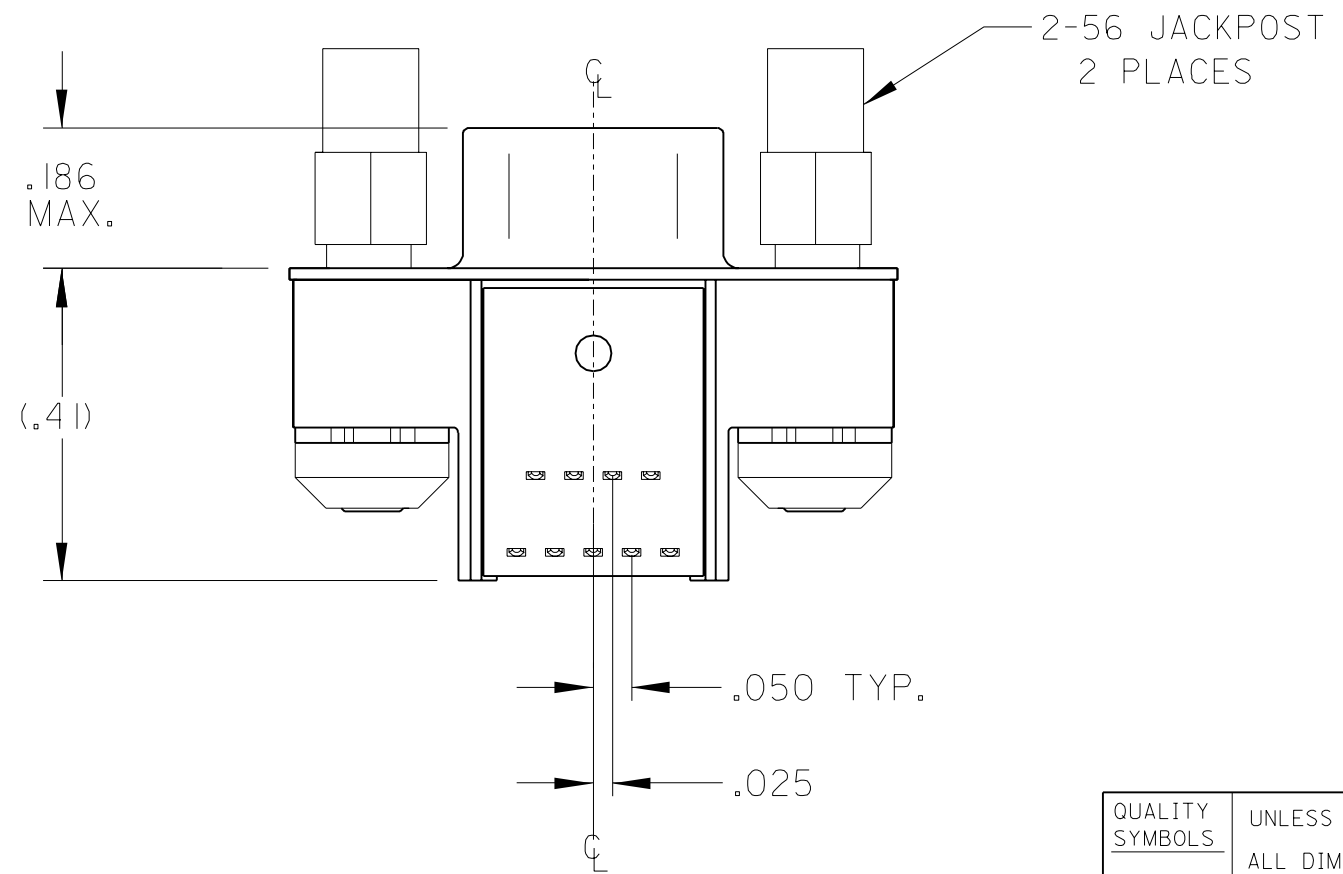
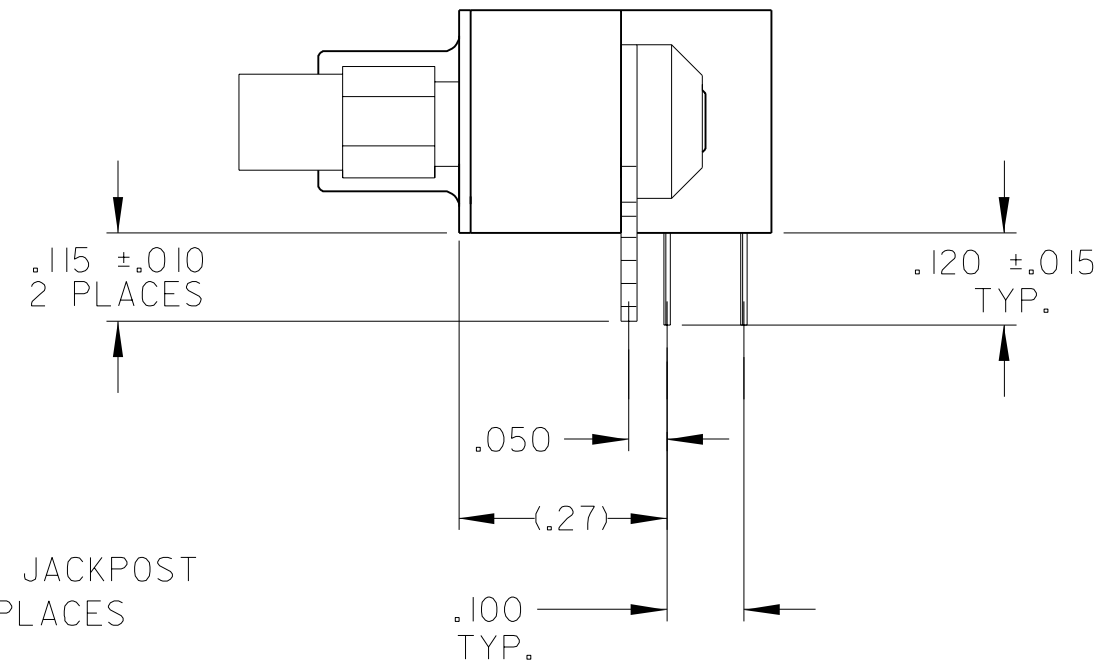
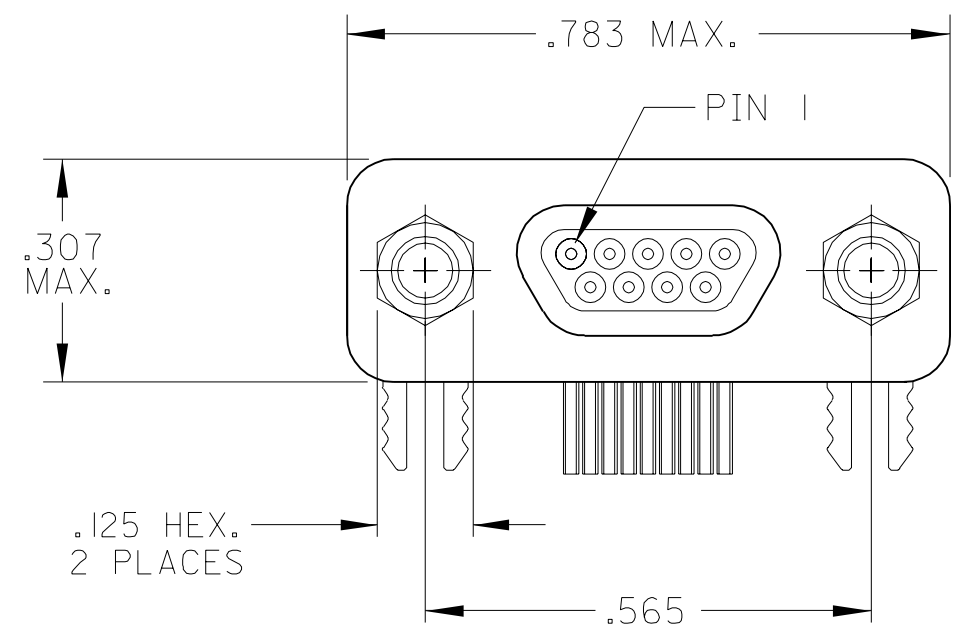


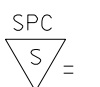


REV	DATE	ECN NO.	APPVD BY	REL BY
A	9DEC98	UM9-0217	FVW	DLU
B	31MAR99	UM9-0412		



2. MARKING: NONE.
 1. REFER TO PS-83421-9000 FOR PRODUCT SPECIFICATION.
 NOTES: UNLESS OTHERWISE SPECIFIED.

QUALITY SYMBOLS MAJOR  = CRITICAL  = SPC  =	UNLESS SPECIFIED: ALL DIMENSIONS IN INCHES GENERAL TOLERANCES: 3 PLACE ± .005 2 PLACE ± .010 ANGULAR ± 2°	SCALE NONE DWG SIZE B	THIRD ANGLE PROJECTION	REVISE ON CAD ONLY		
	TITLE: COMMERCIAL MICRO-D CONNECTOR, PLUG, SIZE 9, RIGHT ANGLE	DRAWN BY & DATE D.URBACH 8DEC98	MOLEX INCORPORATED Ulti-Mate, Inc. Orange, CA 92868			
	Uliti-Mate CAGE CODE 58967	CHECKED BY & DATE	APPROVED BY & DATE	PART NO. 83611-9015	DRAWING NO. SD-83611-9015	SHEET NO. 1 OF 2
	THIS DRAWING CONTAINS INFORMATION THAT IS PROPRIETARY TO MOLEX INCORPORATED AND SHOULD NOT BE USED WITHOUT WRITTEN PERMISSION.			REV B		