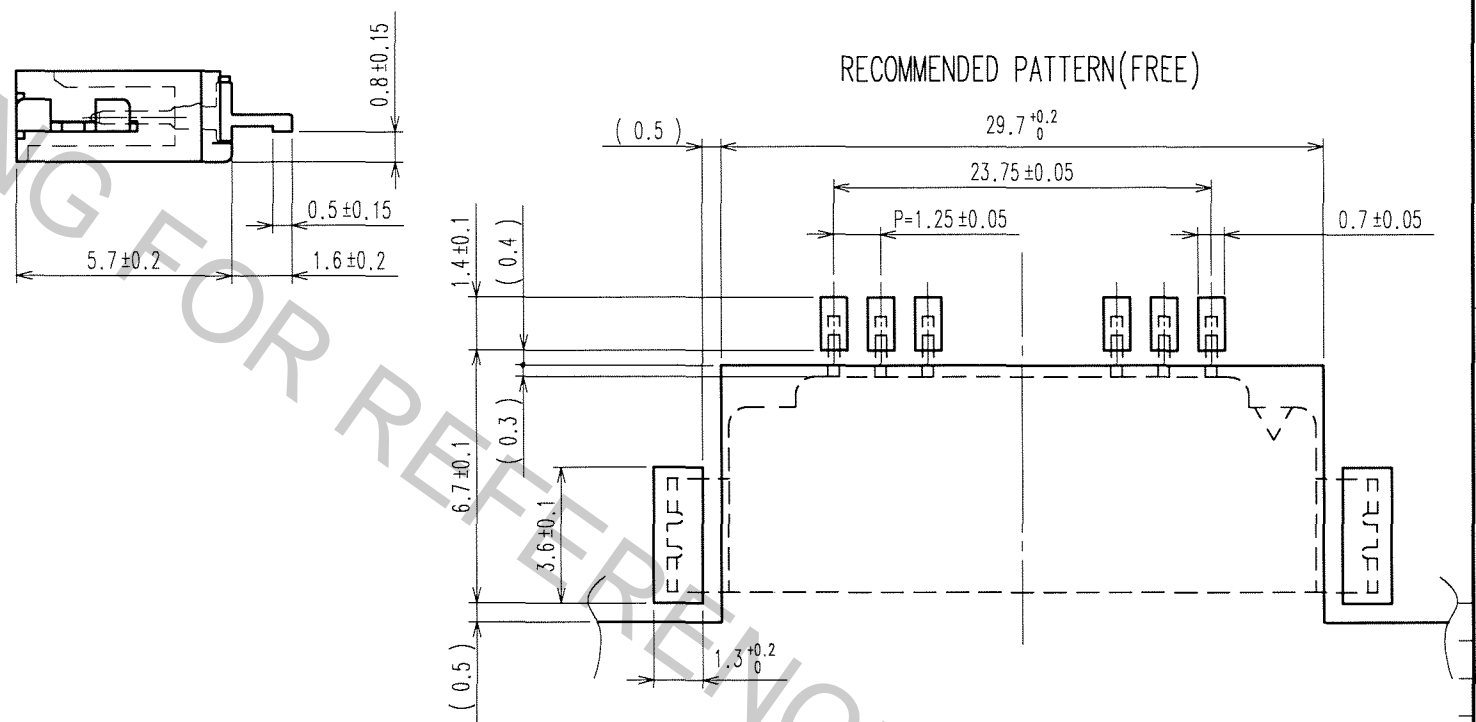
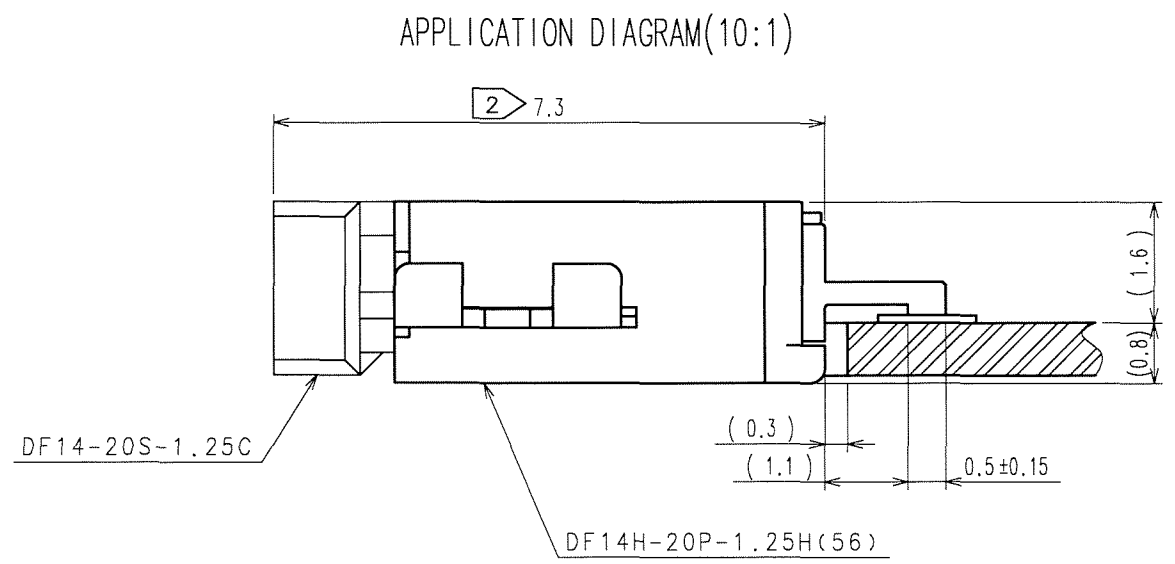
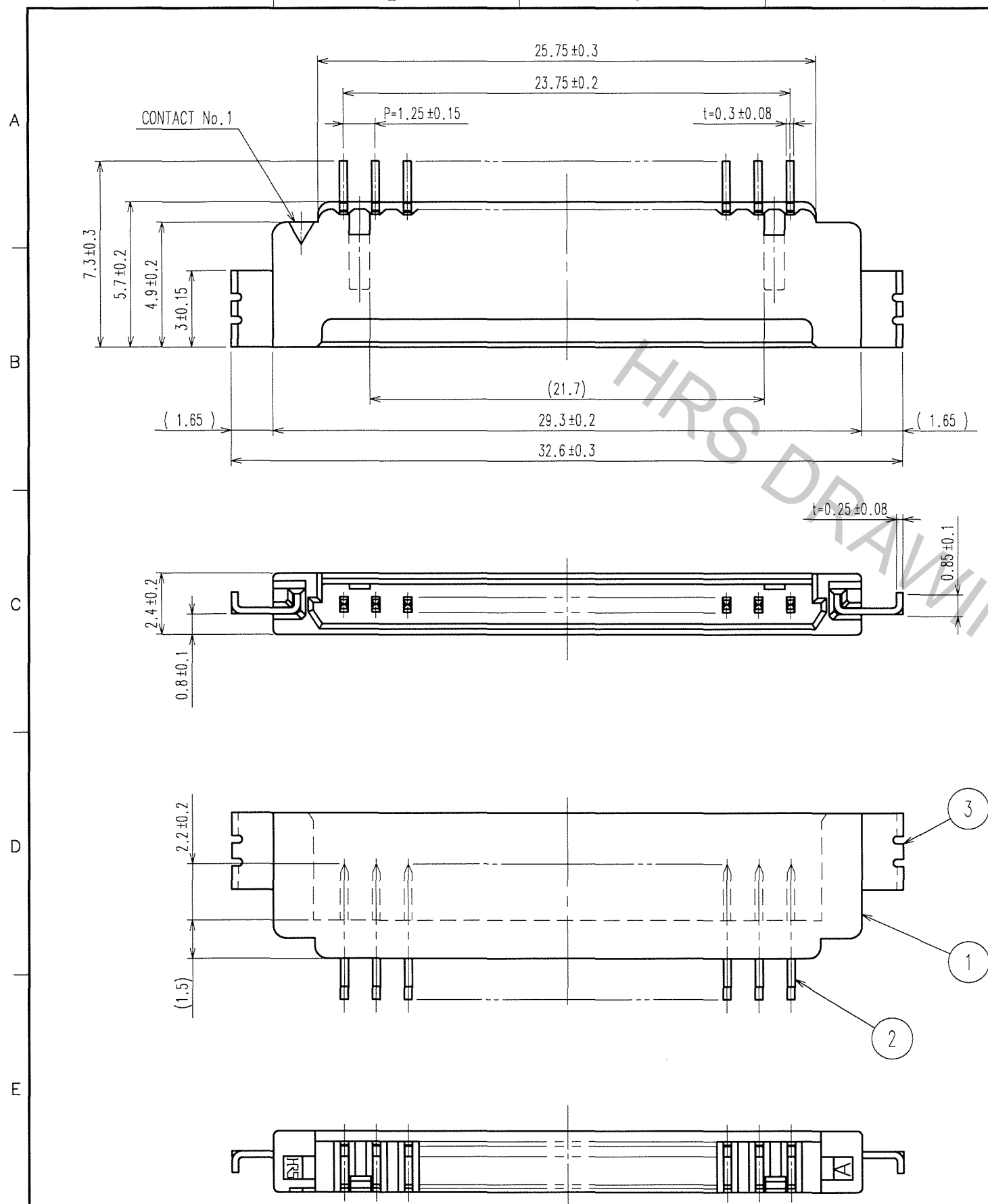


Apr.1.2017 Copyright 2017 HIROSE ELECTRIC CO., LTD. All Rights Reserved.

COUNT	DESCRIPTION OF REVISIONS	BY	CHKD	DATE	COUNT	DESCRIPTION OF REVISIONS	BY	CHKD	DATE
1	DIS-H-000987	T.K	H.V	06.10.27					



2	BRASS	CONTACT AREA:GOLD PLATED 0.1μ m min SOLDERING AREA:TIN-COPPER PLATED 1μ m min UNDER PLATING:NICKEL PLATED 1μ m min	5	A-PET	CLEAR,EMBOSSD TAPE
1	POLYAMIDE	BEIGE(UL94V-0)	4	POLYESTER	CLEAR, COVER TAPE
			3	PHOSPHOR BRONZE	SURFACE:TIN-COPPER PLATED 1μ m min UNDER PLATING:NICKEL PLATED 0.5μ m min
NO.	MATERIAL	FINISH, REMARKS	NO.	MATERIAL	FINISH, REMARKS

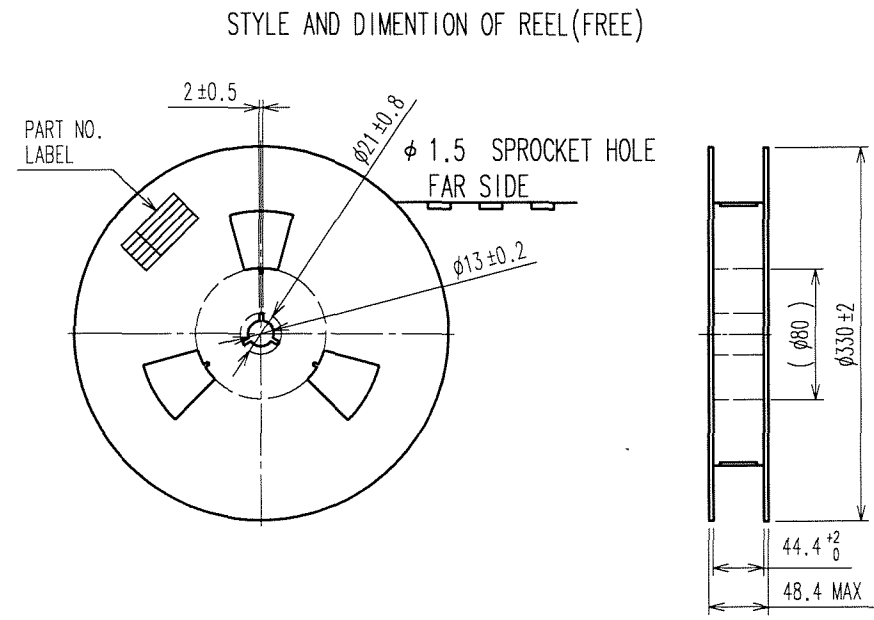
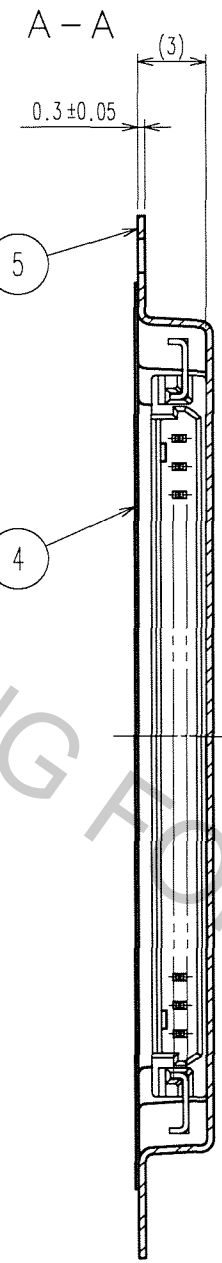
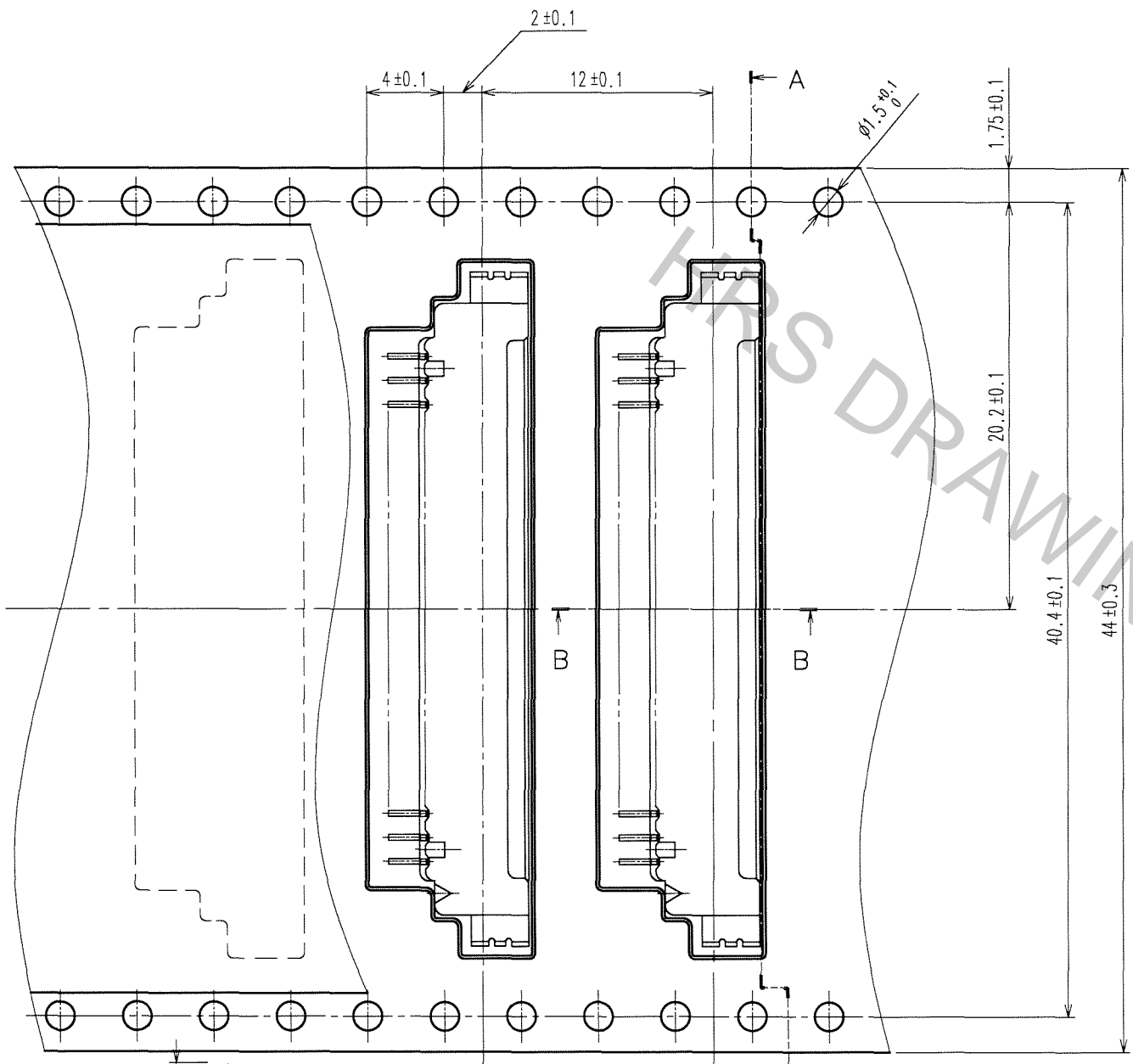
CODE NO.(OLD)	DRAWN	DESIGNED	CHECKED	APPROVED	RELEASED
	I.Denpouya	I.Denpouya	T.Miyazaki	T.Miyazaki	
	'03.03.05	'03.03.05	'03.03.05	'03.03.05	

SCALE	DRAWING NO.	PART NO.
5 : 1	EDC3-161459-05	DF14H-20P-1.25H(56)
UNITS	HIROSE ELECTRIC CO., LTD	CODE NO.
mm		CL538-0167-0-56

NOTES 1 LEAD CO-PLANARITY INCLUDE REINFORCED METAL FITTINGS SHALL BE 0.1 mm MAX.
 2 THIS DIMENTION SHALL CHANGE BY CONNECTION WITH
 DF14-20S-1.25C :7.3 mm...CRIMP TYPE
 DF14-20S-1.25R30(01):9.7 mm...IDC TYPE
 IDC:INSULATION DISPLACEMENT CONNECTION

TO

1	2	3	4	5	6	7	8

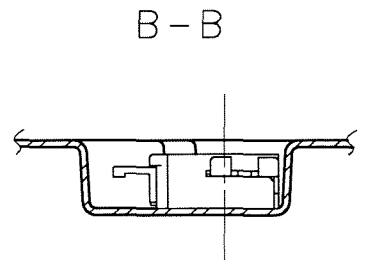


5) DETAIL OF PART NO LABEL.

DATE OF MANUFACTURED	** * * * *
CODE NO.	CL538-0167-0-56
PART NO.	DF14H-20P-1.25H(56)
QUANTITY	1000 KO
SUPPLIER	HIROSE ELECTRIC CO.,LTD.

NOTES 3. 1 REEL : 1000 CONNECTORS.
 4. AT THE BEGINNING OF THE REEL, 30 COMPONENTS SHALL BE EMPTY.
 AT THE END OF REEL, 20 COMPONENTS SHALL BE EMPTY.
 5) DETAIL OF PART NO. LABEL IS WRITTEN IN JAPANESE.

DIRECTION OF UNREELING



TO

NO.	MATERIAL	FINISH, REMARKS	NO.	MATERIAL	FINISH, REMARKS
CODE NO. (OLD)	CL		DRAWN	DESIGNED	CHECKED
			I.Denpouya	I.Denpouya	T.Miyazaki
			'03.03.05	'03.03.05	'03.03.05
			APPROVED	RELEASED	
			T.Miyazaki	T.Miyazaki	
			'03.03.05	'03.03.05	

DRAWING NO. EDC3-161459-05 PART NO. DF14H-20P-1.25H(56)
 SCALE 2:1 UNITS mm HIROSE ELECTRIC CO.,LTD. CODE NO. CL538-0167-0-56