

| | | | | | | | |
|-----|------|-----------|-----|---------------------|------|-----|------|
| LOC | DIST | REVISIONS | | | | | |
| A | 66 | P | LTR | DESCRIPTION | DATE | DWN | APVD |
| | | | A1 | SEE PRODUCT DRAWING | - | - | - |


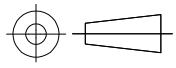
SEE PRODUCTION DRAWING
1852597

THIS DRAWING IS UNPUBLISHED.

ALL INTERNATIONAL RIGHTS RESERVED.

BY TYCO ELECTRONICS CORPORATION.

© COPYRIGHT

| | | | | | | | | |
|--|-------|---|------------------|---|-----|---------------|--------|------|
| DIMENSIONS: INCHES | DWN | M.YOUNGER | 12FEB2010 | MATERIAL | - | FINISH | - | |
| | CHK | - | - |  Tyco Electronics Corporation Harrisburg, PA 17105-3608 | | | | |
| TOLERANCES UNLESS OTHERWISE SPECIFIED: | APVD | - | - | | | | | NAME |
| | 0 PLC | ± - | PRODUCT SPEC | SIDE FEED HDM APPLICATOR | | | | |
| 1 PLC | ± - | APPLICATION SPEC | - | | | | | |
| 2 PLC | ± - | WEIGHT | - | SIZE | A4 | CAGE CODE | 00779 | |
| 3 PLC | ± - |  | DRAWING NO | C-1852597 | | RESTRICTED TO | - | |
| 4 PLC | ± - | | CUSTOMER DRAWING | SCALE | 1:1 | SHEET | 1 OF 1 | REV |
| ANGLES | ± - | | | | | | | |