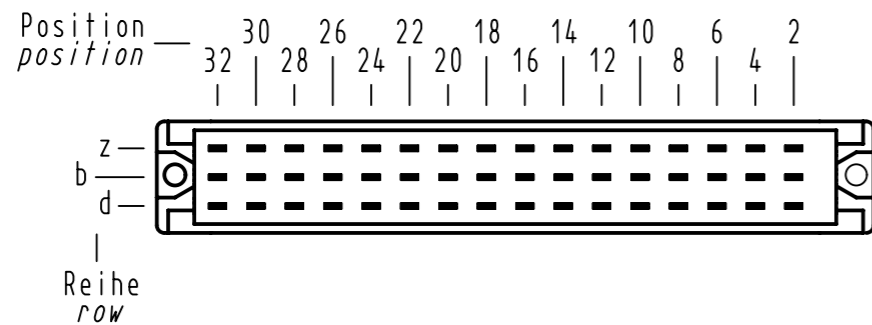


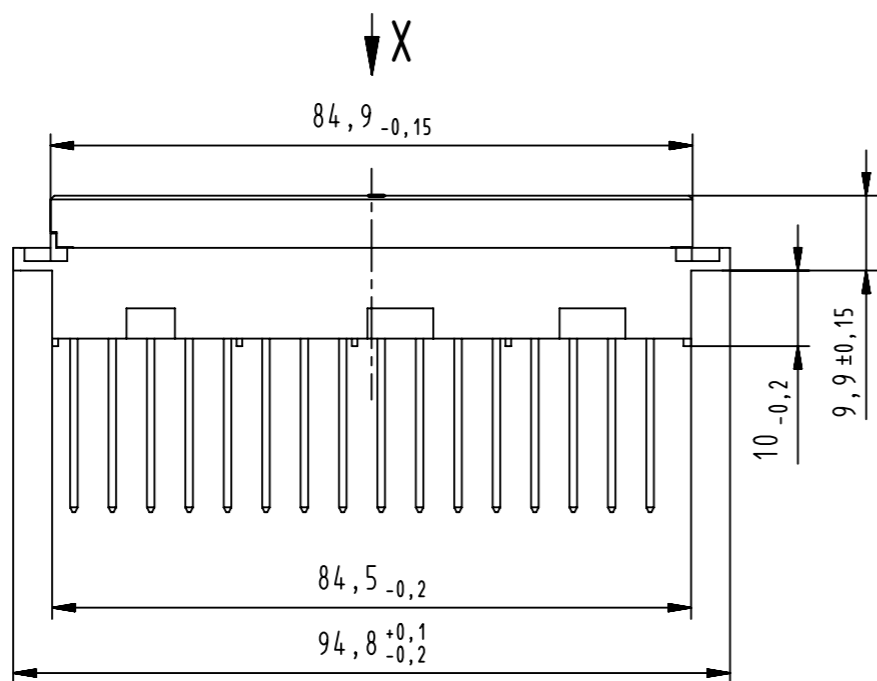
X  
Kontaktanordnung  
contact arrangement

48 WW - Kontakte  
48 ww - contacts



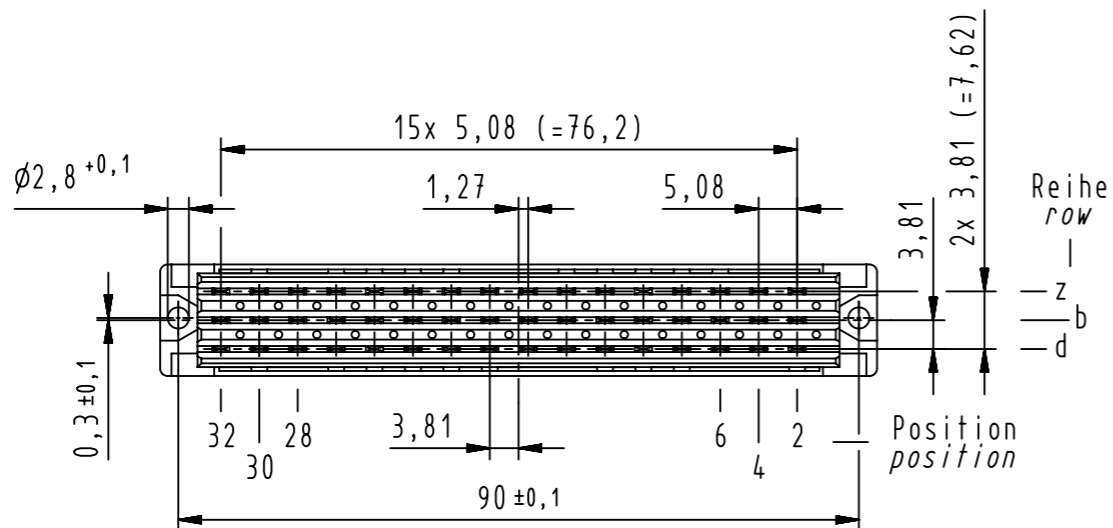
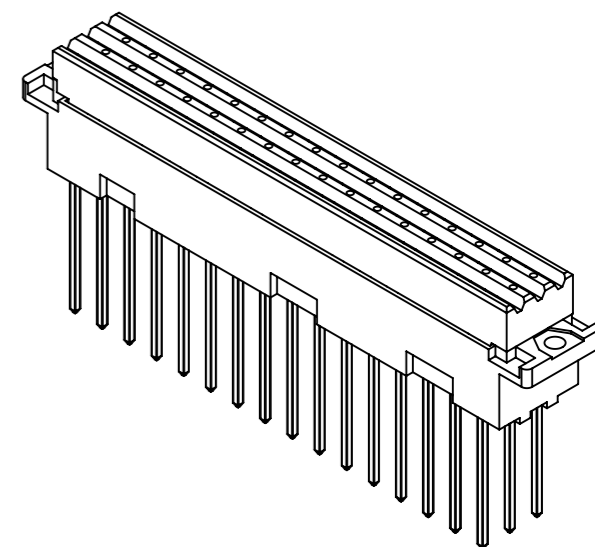
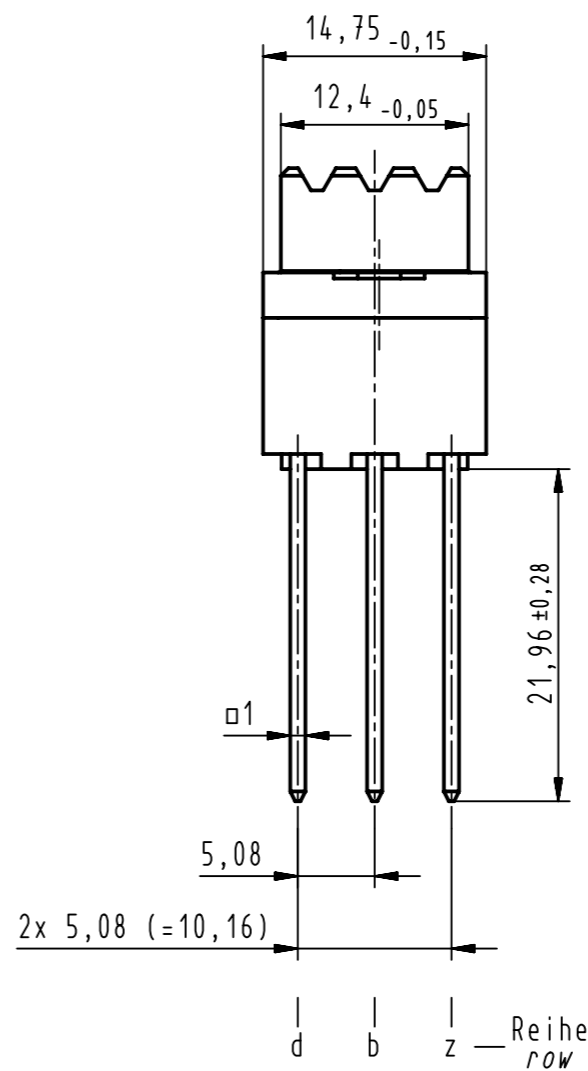
■ = Kontaktposition belegt  
= position with contact

□ = Kontaktposition nicht belegt  
= position without contact



Z

Z (2:1)



① weitere Informationen siehe: DS 09 06 210 00 01  
further information see: DS 09 06 210 00 01

09 06 248 7821	3
09 06 248 6821	2
09 06 248 2821	1
Bestell-Nr. part-no.	Anforderungsstufe performance level ①

	All Dimensions in mm Original Size DIN A3	Scale 1:1	Free size tol. IEC 60603-2	Ref. Sub. TB 0906248X821 Mod. 36023 v. 18.03.10	
	All rights reserved Department EC PD - DE	Created by HAGEMEYERE	Inspected by LEHNERT	Standardisation HOFFMANN	Date 2013-01-30
HARTING Electronics GmbH D-32339 Espelkamp		Title DIN Power type F female ww 22 straight			Doc-Key / ECM-Nr. 100184594/UGD/019/B 50000058142
		Type TB	Number 0906248X821	Rev. B	Page 1/1