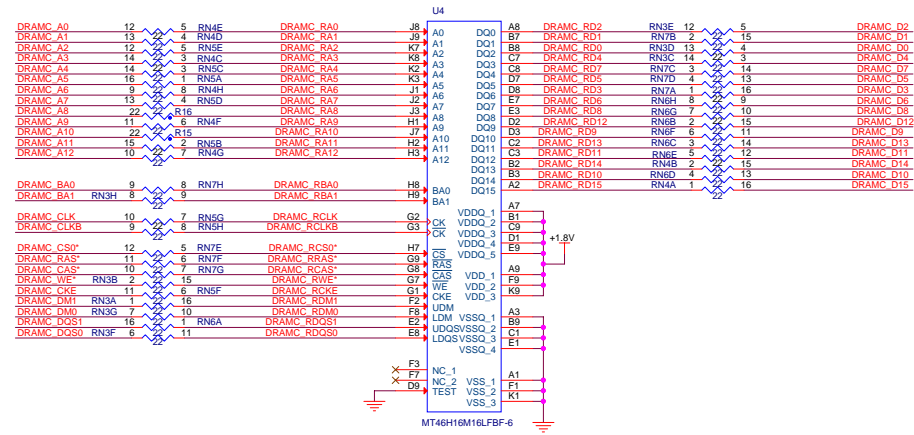
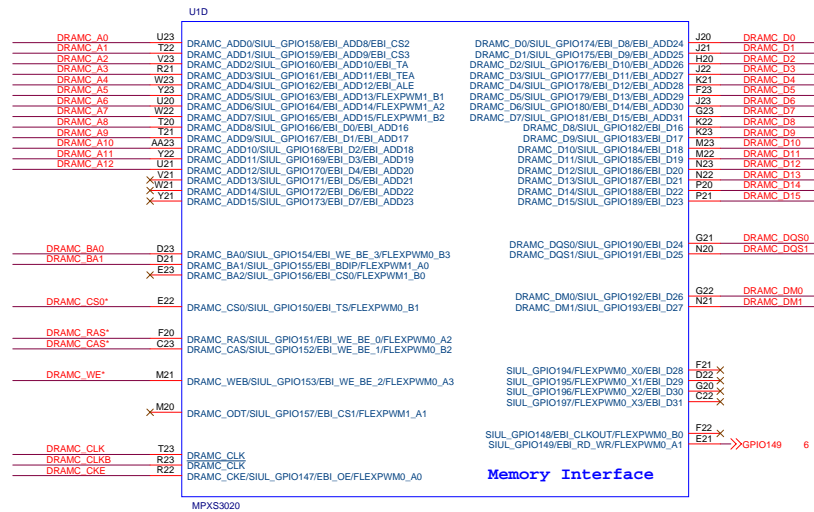


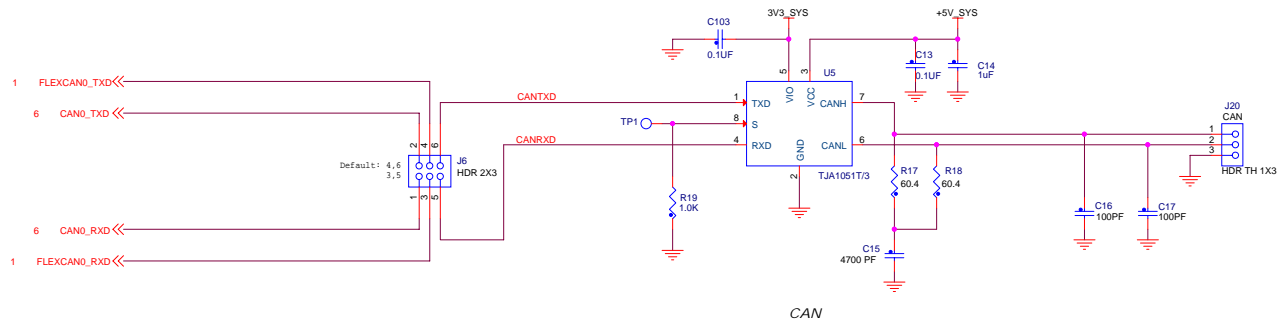
Approvals	Date	File
Drawn: GLG	072811	TWR-PXS30 AXM-0560
Checked: DSR	072811	Document Number: DOC-0560-030
Finish		Date: Monday, April 09, 2012 Sheet: 1 of 6



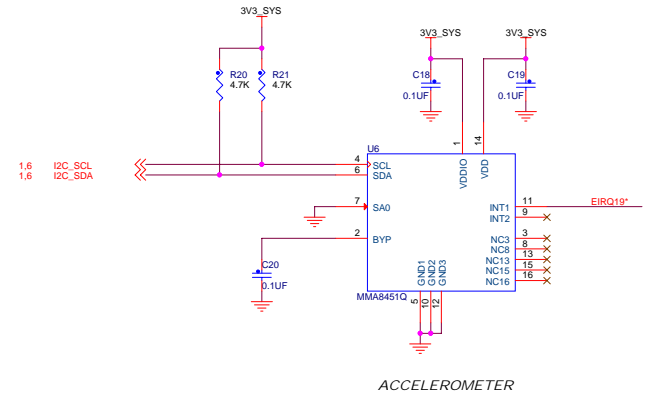


DDR

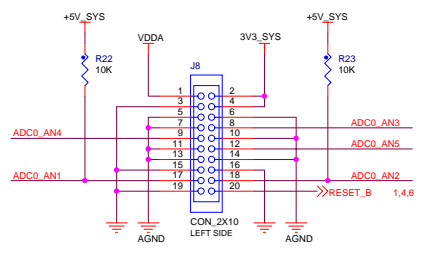
Approvals		Date	File	
Drawn	GLG	072811	TWR-PXS30 AXM-0560	
Checked	DSR	072811	Size	Document Number
Finish			C	DOC-0560-030
		Date:	Monday, April 02, 2012	Sheet 2 of 6



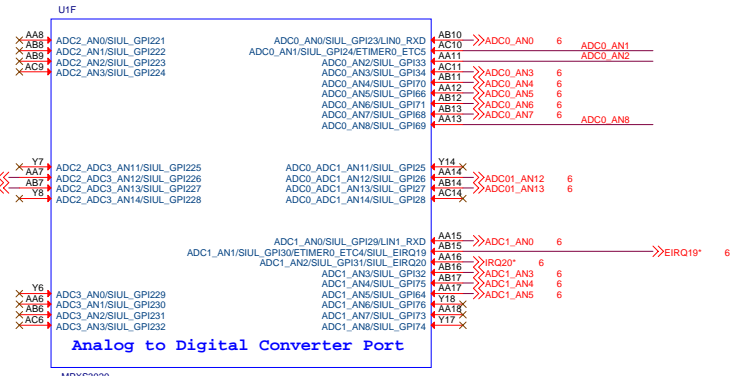
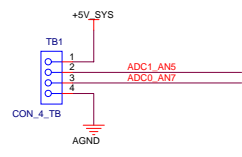
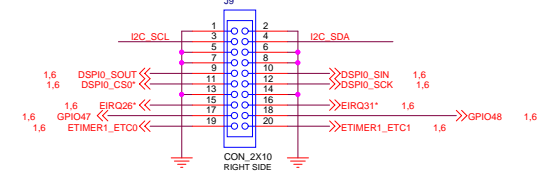
CAN



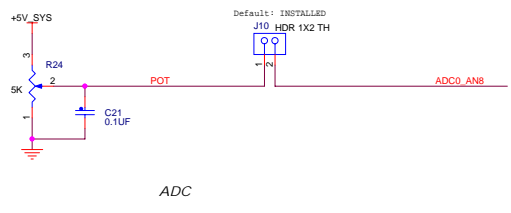
ACCELEROMETER



TWRPI SOCKETS

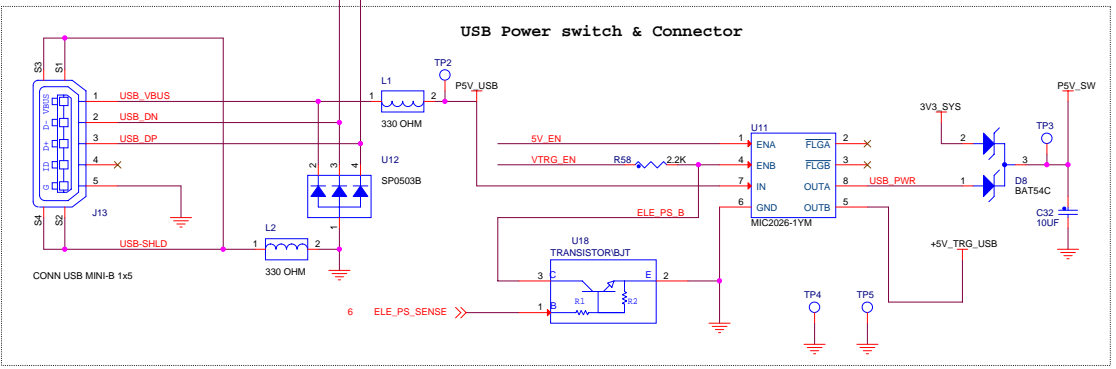
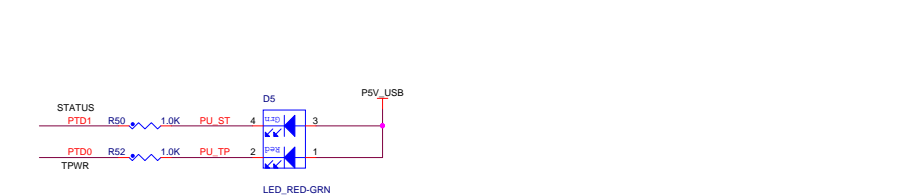
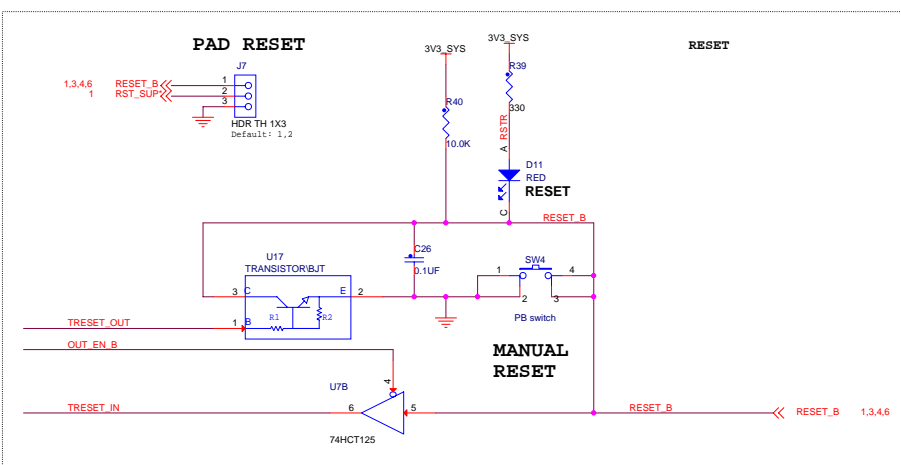
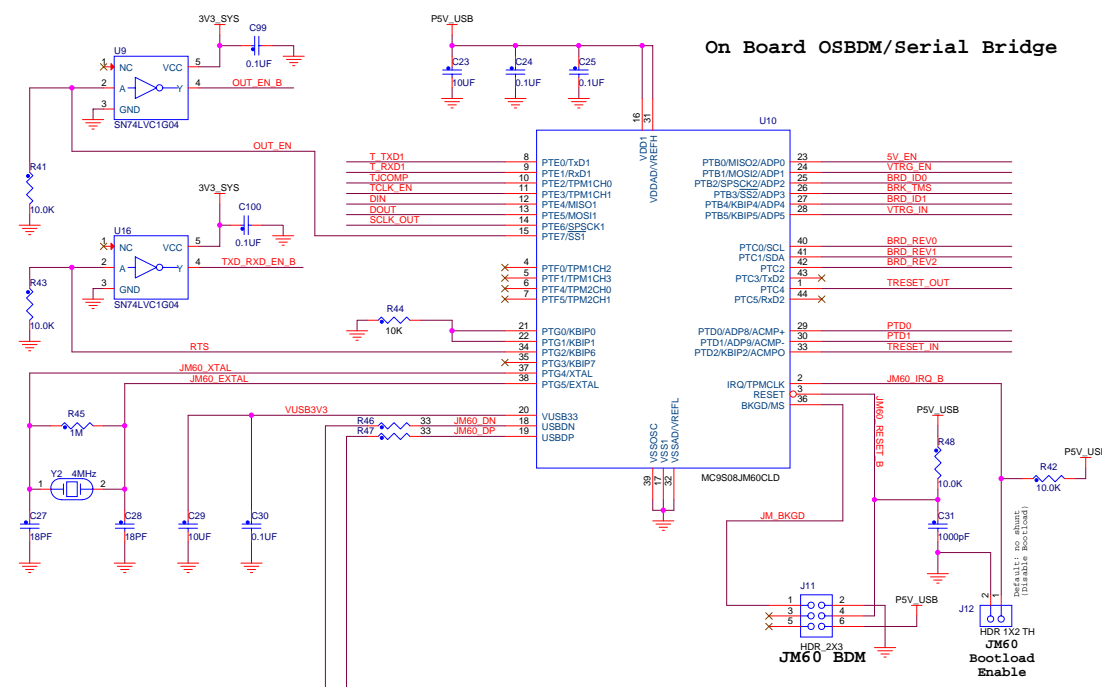
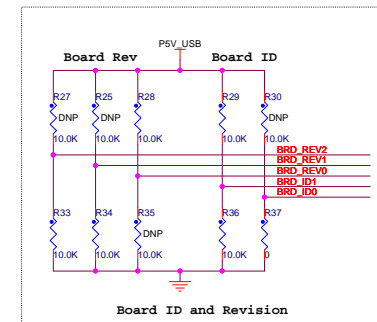
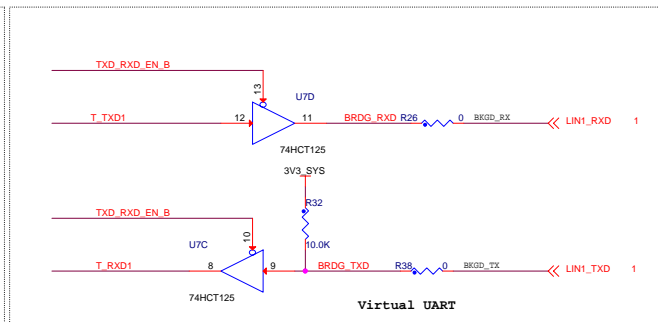
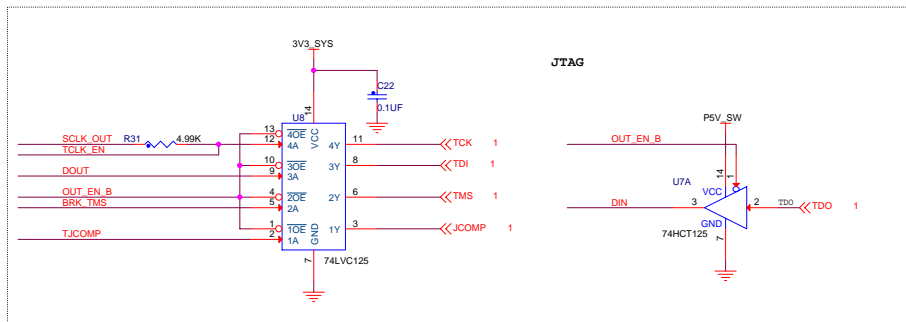


Analog to Digital Converter Port

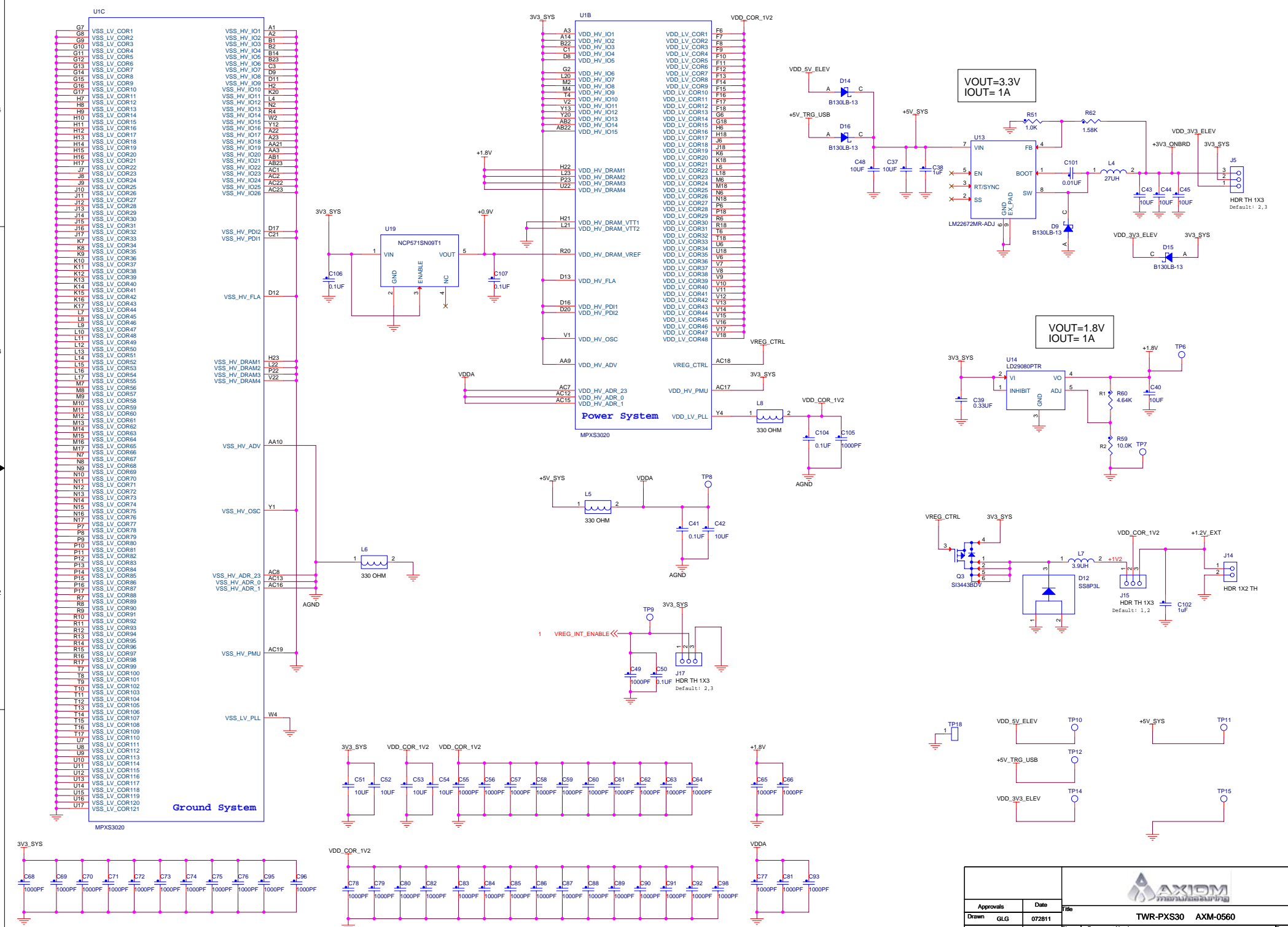


ADC

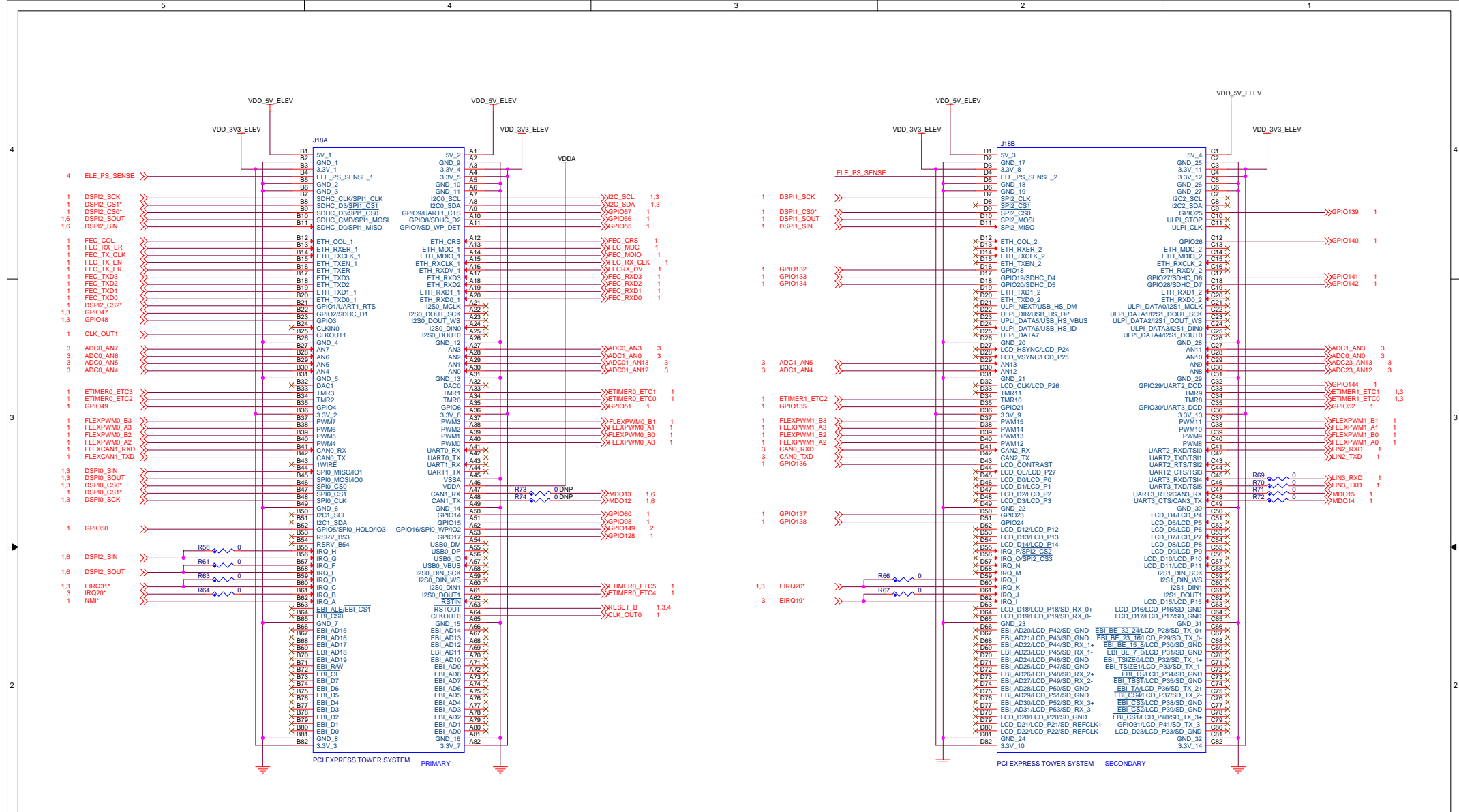
Approvals		Date	Title	
Drawn	GLG	072811	TWR-PXS30 AXM-0560	
Checked	DSR	072811	Size	Document Number
Finish			C	DOC-0560-030
Date: Monday, April 02, 2012			Sheet	3 of 6




Approvals	Date
Drawn GLG	072811
Checked DSR	072811
Finish	
File	
TWR-PXS30 AXM-0560	
Size C	Document Number
	DOC-0560-030
Date: Monday, April 02, 2012	Sheet 4 of 6



Approvals		Date	File	
Drawn	GLG	072811	TWR-PXS30 AXM-0560	
Checked	DSR	072811	Size	Document Number
Finish			C	DOC-0560-030
Date: Monday, April 02, 2012			Sheet	5 of 6



		TWR-PXS30 AXM-0560	
Approved	GLG	Date	072811
Drawn	DSR	Size	C
Checked	DSR	Document Number	DOC-0560-030
Finish		Date	Monday, April 02, 2012
		Sheet	6 of 6