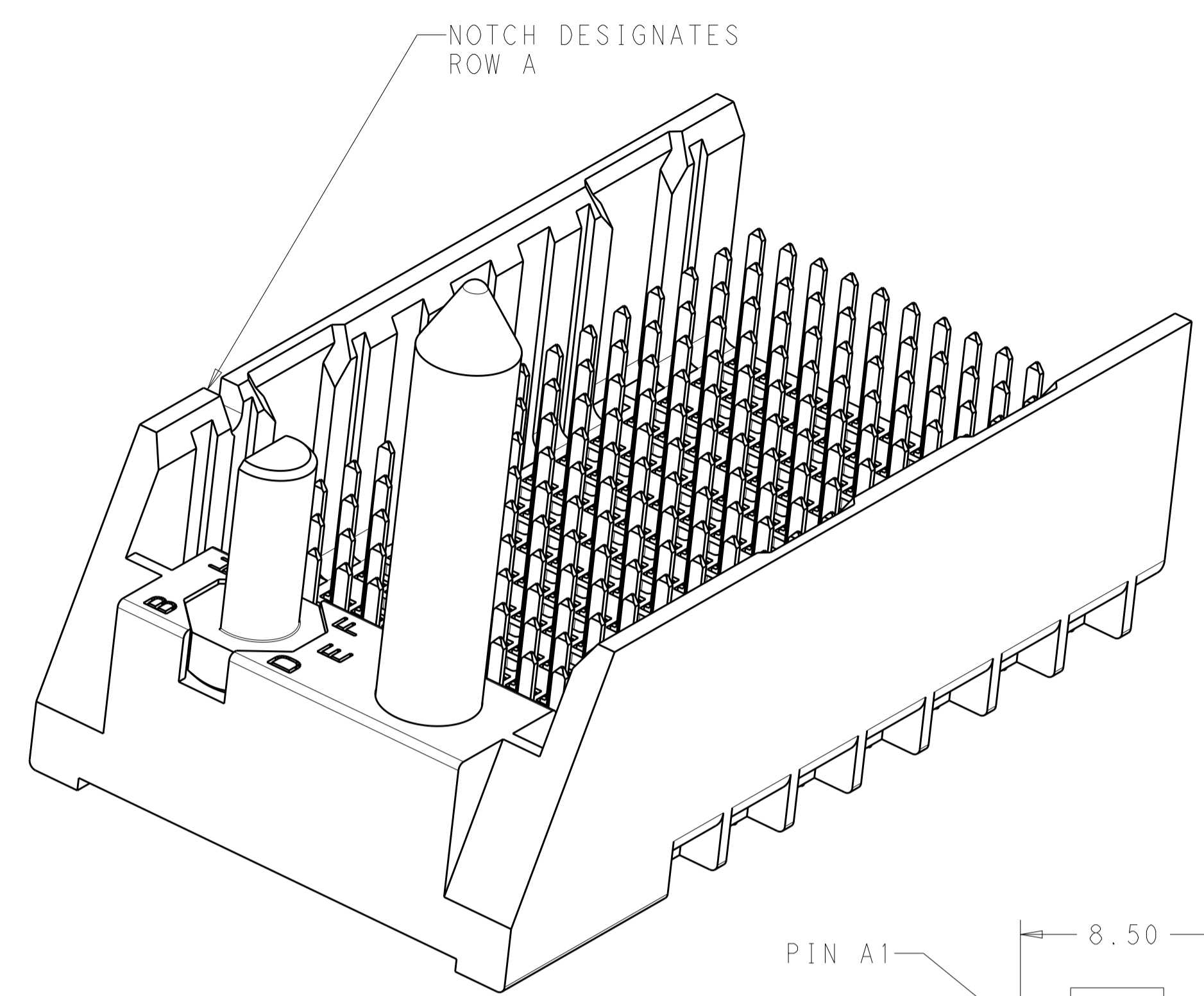
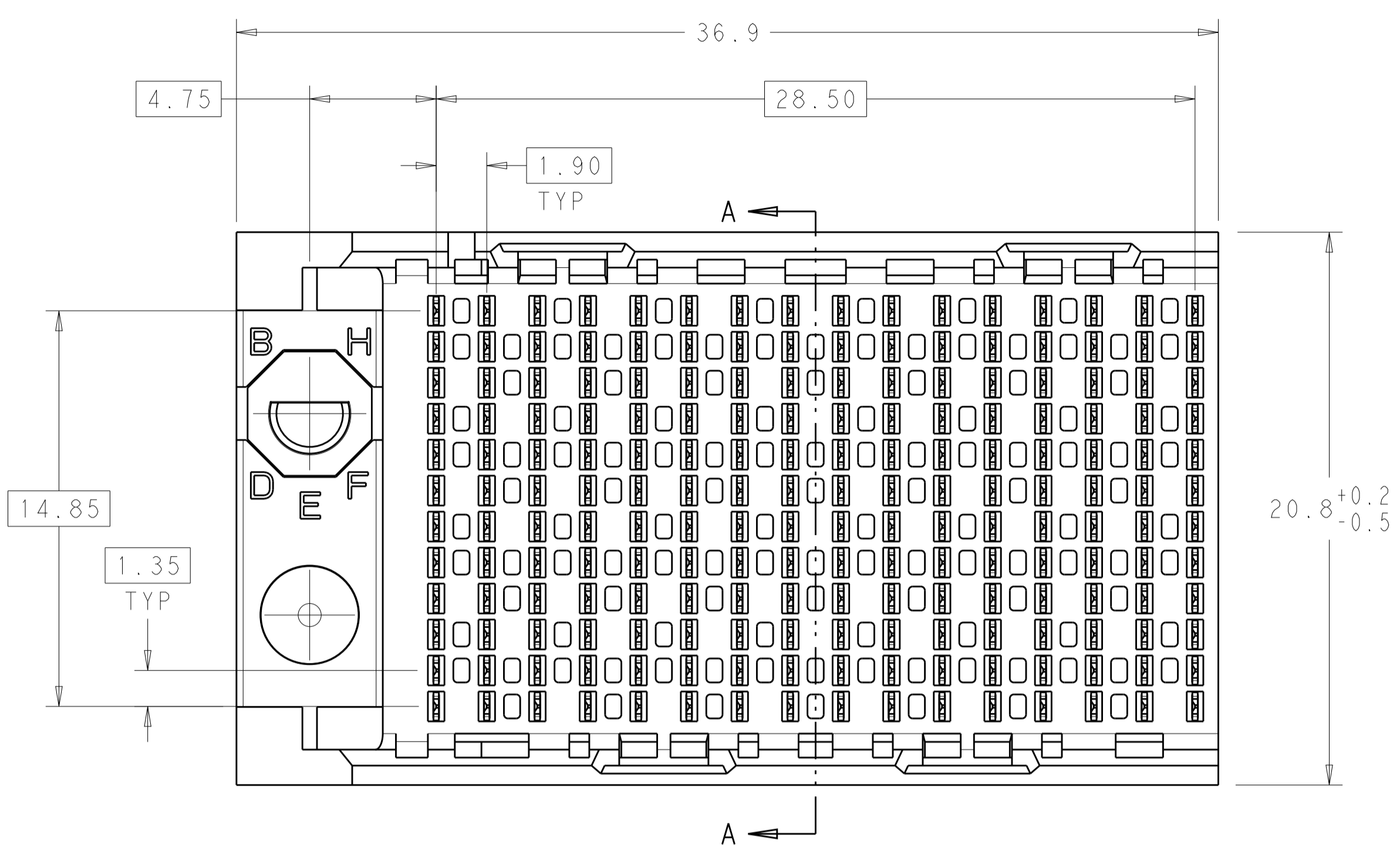
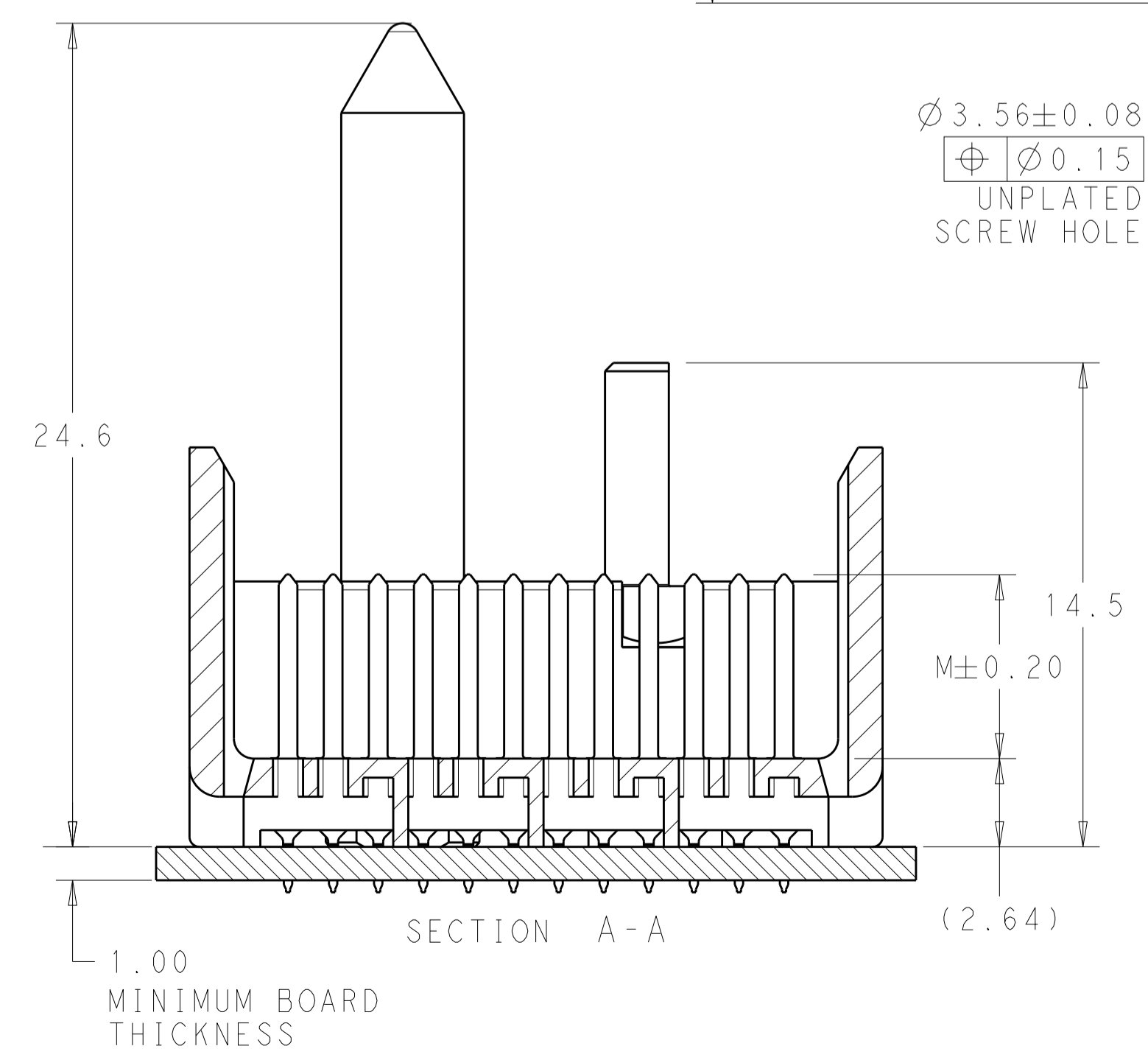
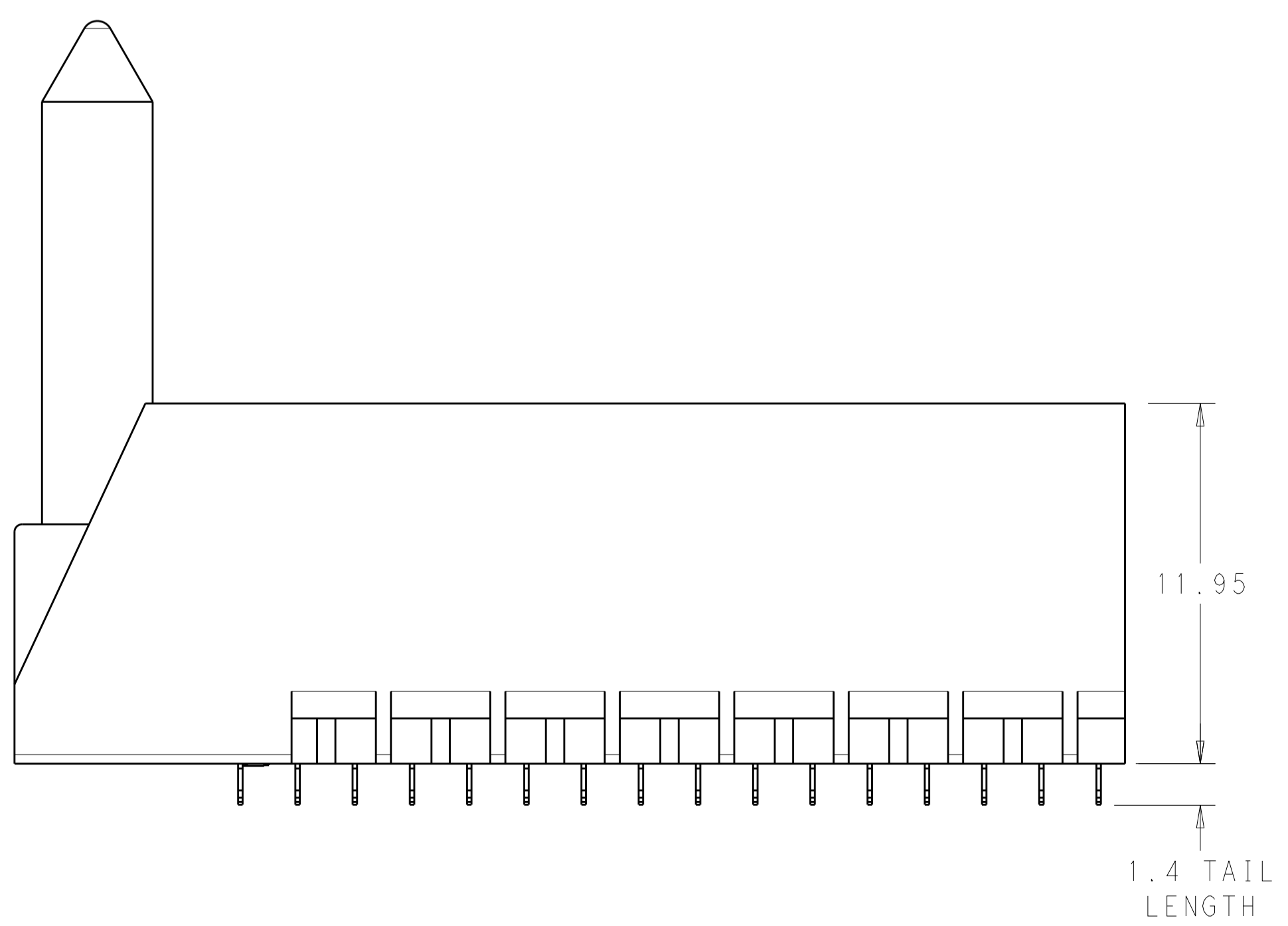
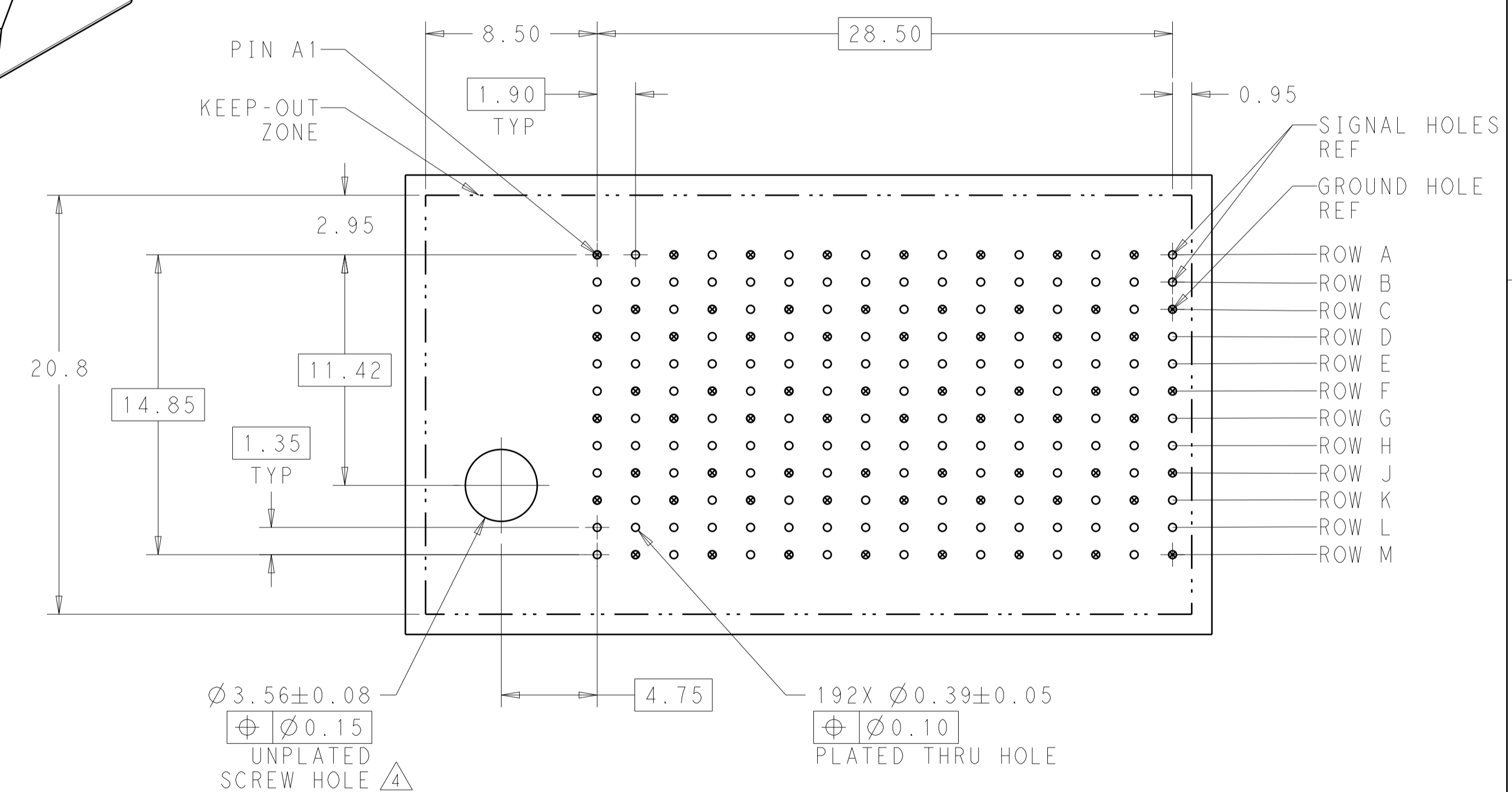


LOC		DIST		REVISIONS			
AD	00	P	LTN	DESCRIPTION	DATE	DMN	APVD
		B1		REVISED PER ECO-15-001494	05FEB2015	AP	DD

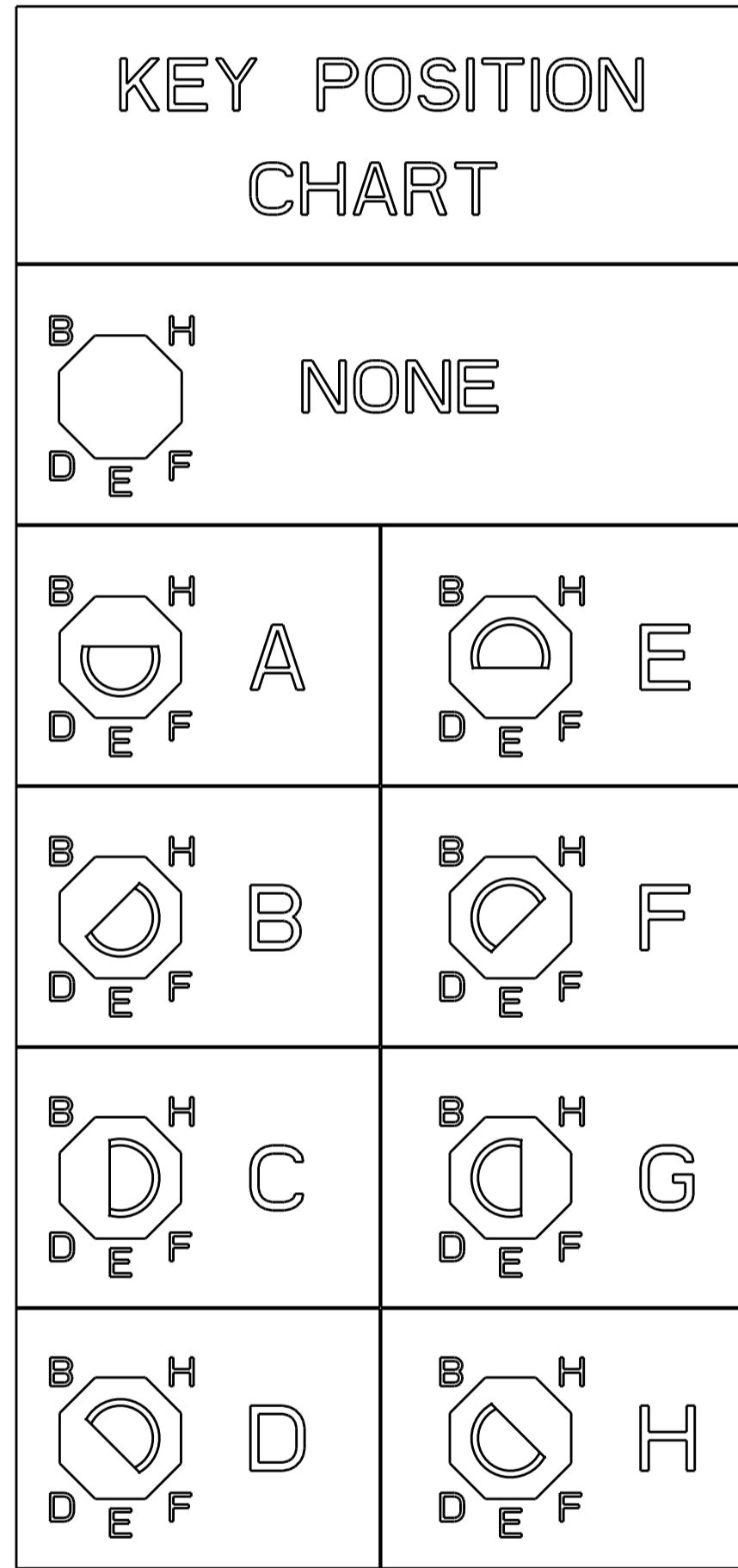


- ⚠ MATERIAL:
HOUSING: LCP, GLASS FILLED, UL94V-0.
TERMINALS: HIGH PERFORMANCE COPPER ALLOY.
- ⚠ FINISH:
30μ" MIN GOLD IN CONTACT AREA. SELECTIVE TIN ON PCB TAILS, NICKEL OVERALL.
- 3. SCREWS PACKAGED IN END OF PACKAGING TUBE.
- ⚠ FOR GROUNDED GUIDE PIN USE $\varnothing 3.56 \pm 0.08$ PTH, $\varnothing 3.66$ DRILL, AND $\varnothing 6.5$ PAD.
- 5. KEYING PIN SHOWN IN POSITION A, SEE KEYING CHART ON SHEET 2 FOR OTHER POSITIONS.



THIS DRAWING IS A CONTROLLED DOCUMENT.		DMN J. K. SHOBER 13JAN2011	TE Connectivity										
DIMENSIONS: mm		CHK J. EARY 13JAN2011											
TOLERANCES UNLESS OTHERWISE SPECIFIED:		APVD J. EARY 13JAN2011	NAME IMPACT, 4 PAIR, 16 COLUMN, HEADER LEFT GUIDED, OPEN END WALL SIGNAL MODULE, 0.39 PTH										
<table border="1"> <tr><td>0 PLC</td><td>±</td></tr> <tr><td>1 PLC</td><td>±0.25</td></tr> <tr><td>2 PLC</td><td>±0.13</td></tr> <tr><td>3 PLC</td><td>±</td></tr> <tr><td>4 PLC</td><td>±</td></tr> </table>		0 PLC	±	1 PLC	±0.25	2 PLC	±0.13	3 PLC	±	4 PLC	±	PRODUCT SPEC	SIZE A100779
0 PLC	±												
1 PLC	±0.25												
2 PLC	±0.13												
3 PLC	±												
4 PLC	±												
MATERIAL		APPLICATION SPEC	CAGE CODE C=2007825										
FINISH SEE TABLE		WEIGHT	RESTRICTED TO										
CUSTOMER DRAWING		SCALE 6:1	SHEET 1 OF 2										

LOC		DIST		REVISIONS			
AD	00	P	LTN	DESCRIPTION	DATE	DMN	APVD
-	-	-	-	SEE SHEET 1	-	-	-



	H	5.5	8-2007825-3
	H	4.9	8-2007825-2
	H	4.5	8-2007825-1
	G	5.5	7-2007825-3
	G	4.9	7-2007825-2
	G	4.5	7-2007825-1
	F	5.5	6-2007825-3
	F	4.9	6-2007825-2
	F	4.5	6-2007825-1
	E	5.5	5-2007825-3
	E	4.9	5-2007825-2
	E	4.5	5-2007825-1
	D	5.5	4-2007825-3
	D	4.9	4-2007825-2
	D	4.5	4-2007825-1
	C	5.5	3-2007825-3
	C	4.9	3-2007825-2
	C	4.5	3-2007825-1
	B	5.5	2-2007825-3
	B	4.9	2-2007825-2
	B	4.5	2-2007825-1
	A	5.5	1-2007825-3
	A	4.9	1-2007825-2
	A	4.5	1-2007825-1
	-	5.5	2007825-3
	-	4.9	2007825-2
	-	4.5	2007825-1
FINISH	KEY POSITION	DIM M	PART NUMBER

REFER TO WWW.TE.COM
FOR PRODUCT AVAILABILITY

THIS DRAWING IS A CONTROLLED DOCUMENT.		DMN J. K. SHOBER 13JAN2011	TE Connectivity														
DIMENSIONS: mm		CHK J. EARY 13JAN2011															
TOLERANCES UNLESS OTHERWISE SPECIFIED:		APVD J. EARY 13JAN2011	NAME IMPACT, 4 PAIR, 16 COLUMN, HEADER LEFT GUIDED, OPEN END WALL SIGNAL MODULE, 0.39 PTH														
<table border="1" style="font-size: 8px;"> <tr><td>0 PLC</td><td>±</td></tr> <tr><td>1 PLC</td><td>±0.25</td></tr> <tr><td>2 PLC</td><td>±0.13</td></tr> <tr><td>3 PLC</td><td>±</td></tr> <tr><td>4 PLC</td><td>±</td></tr> <tr><td>ANGLES</td><td>±</td></tr> <tr><td>FINISH</td><td>±</td></tr> </table>		0 PLC	±	1 PLC	±0.25	2 PLC	±0.13	3 PLC	±	4 PLC	±	ANGLES	±	FINISH	±	PRODUCT SPEC	SIZE A100779
0 PLC	±																
1 PLC	±0.25																
2 PLC	±0.13																
3 PLC	±																
4 PLC	±																
ANGLES	±																
FINISH	±																
MATERIAL SEE TABLE		APPLICATION SPEC	CAGE CODE DRAWING NO C=2007825														
WEIGHT		CUSTOMER DRAWING	RESTRICTED TO -														
SCALE 5:1		SHEET 2 OF 2	REV B1														