

PART NUMBER	REV	FEED TYPE	DESCRIPTION	PROGRAMMED MEMORY CHIP
2151002-1	A	MECHANICAL	FINE CRIMP HEIGHT ADJUST	-
2151002-2	A	PNEUMATIC	FINE CRIMP HEIGHT ADJUST	-
2151002-5	A	SERVO	FINE CRIMP HEIGHT ADJUST	8-2151002-5
2151002-6	A	SERVO	NON-CRIMP HEIGHT ADJUST	8-2151002-6
7-2151002-7	A	-	SPARE PARTS KIT	-

SUPERSEDED BY 2151496-1  
 SUPERSEDED BY 2151496-2  
 SUPERSEDED BY 2151496-5  
 SUPERSEDED BY 2151496-6

APPLICATOR DATA		
CRIMP	SIZE	TYPE
WIRE	1.40 mm [.055]	F
INSUL	1.57 mm [.062]	O

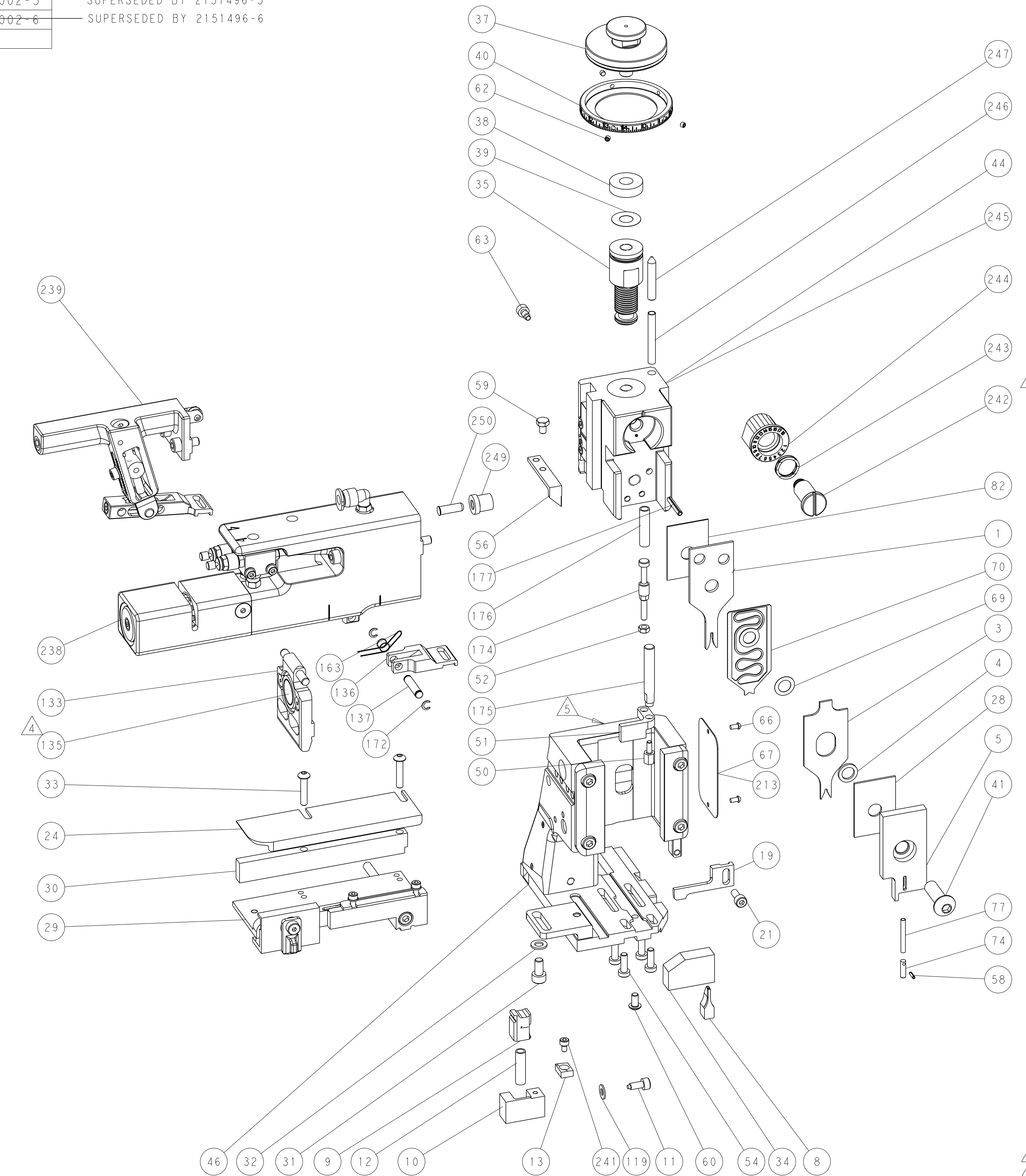
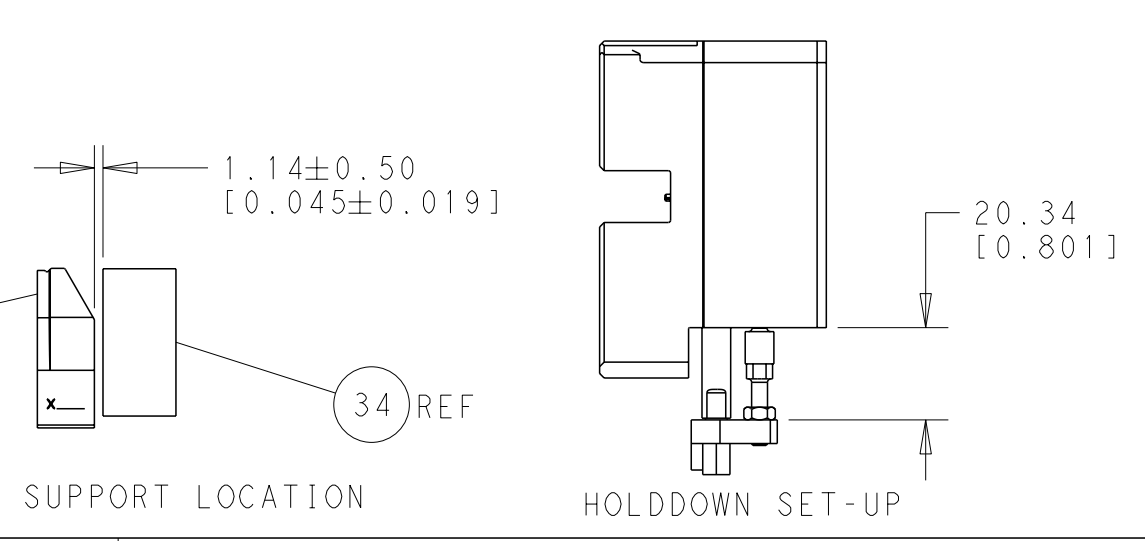
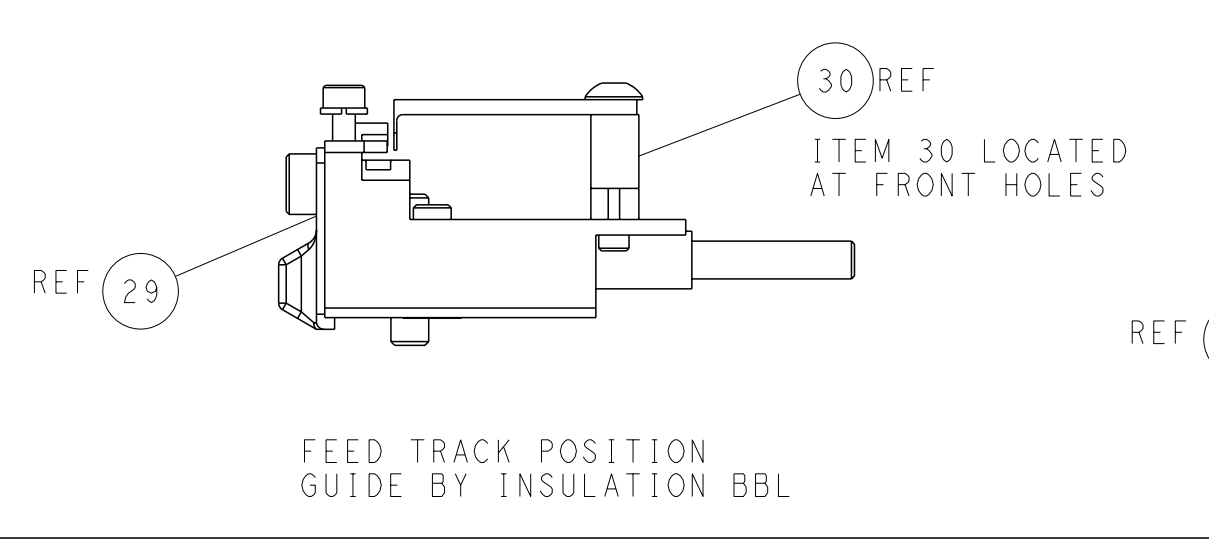
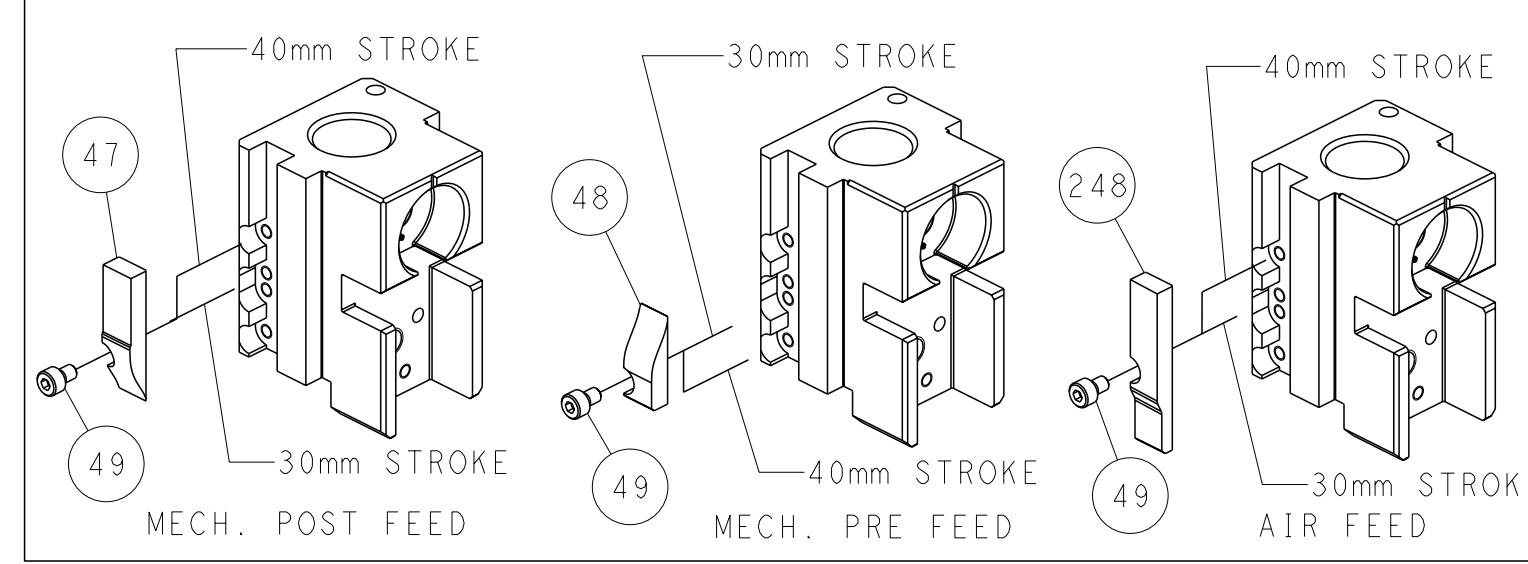
TERMINAL DATA: TE TERMINAL		T CRIMP SPEC	
TERMINAL NAME: PIN CONTACT, SIZE 20 DF			
WIRE STRIP LENGTH	INSULATION DIAMETER RANGE		
2.14-2.64 mm [.084-.104 IN]	Ø1.27-1.52 mm [.050-.060 IN]		
TERMINAL APPL SPEC	114-10000 REV T		

TERMINALS APPLIED			
TE TERMINAL	TE TERMINAL	TE TERMINAL	TE TERMINAL
66506-1	1-66506-0	66504-1	1-66504-0
66506-2	5-66506-3	66504-2	1-66504-2
66506-3	6-66506-1	66504-3	6-66504-8
66506-4	6-66506-5	66504-4	7-66504-0
66506-8	6-66506-6	66504-8	7-66504-5
66506-9	166053-1	66504-9	166051-1

WIRE SIZE	CRIMP HEIGHT mm [INCH]	FINE ADJUST REF SETTING*
24 AWG	0.81±0.000 [.032±.000]	9.2
22 AWG	0.81±0.000 [.032±.000]	9.2
20 AWG	0.81±0.000 [.032±.000]	9.2

- RECOMMENDED SPARE PARTS
- GREASE BEARING SURFACES LIGHTLY
- LUBRICATE DAILY PER THE APPLICATOR INSTRUCTION SHEET SUPPLIED WITH THE APPLICATOR.
- APPLICATOR SPECIFIC DATA TO BE ENTERED INTO BLANK MEMORY CHIP AT ASSEMBLY.
- TO CONVERT THE APPLICATOR TO A NON-CARRIER CUTTING STYLE, REMOVE ITEM 13 AND ATTACH TO THE LOCATION INDICATED.
- POSITIONAL ADJUSTMENTS OF THE STRIPPER MAY BE REQUIRED WHEN MOVING THE APPLICATOR BETWEEN BENCH AND LEADMAKER APPLICATIONS.
- FOR THE ASIAN VERSION OF THIS APPLICATOR, SEE LOG 2151002-9

PART REQUIRED FOR FEED CONVERSIONS		
FEED VER. TO CONVERT TO	RETROFIT KIT	ADDITIONAL PARTS REQ'D
MECHANICAL	2119949-1	56
PNEUMATIC	2119950-1	56
SERVO	2119951-1	135



REV	DATE	DESCRIPTION	DATE	BY	APP'D
A	18OCT2010	ORIGINAL	18OCT2010	GH	GB
B	26OCT2011	ECR-11-021773	26OCT2011	BW	GB

REV	QTY	PART NO	DESCRIPTION	ITEM NO
-	-	2119640-1	PUSH ROD, AIR FEED	250
-	-	2079988-1	BUSHING, LCH5-12, MISUMI	249
-	-	2119641-1	FEED CAM, AIR FEED	248
-	-	2119798-1	DETENT PIN	247
-	-	1-22279-3	SPRING, COMPRESSION	246
-	1	2119758-1	RAM, AMP STYLE, SIDE FEED, NON-ADJ.	245
-	1	2119082-9	CAM, SNAIL, INSULATION ADJUSTMENT	244
-	1	2079764-1	WASHER, WAVE SPRING, CREST-TO-CREST	243
-	1	2119083-1	RETAINER, INSULATION DIAL	242
-	1	18023-1	SCR, SKT HD CAP M3 X 5.0	241
-	-	2119580-1	MECHANICAL FEED ASSEMBLY	239
-	-	2063440-1	AIR FEED MODULE	238
-	1	2119740-2	TAG, IDENTIFICATION	213
-	1	993111-1	PIN, SLOTTED SPRING 3.0 X 20.0	177
-	1	8-22280-7	SPRING, COMPRESSION	176
-	1	1752353-1	GUIDE PIN, HOLDDOWN	175
-	1	1901680-1	GUIDE PIN, HOLDDOWN	174
-	-	21045-3	RING, RETAIN, EXTERN, 3/16 CRESCENT	172
-	-	240638-1	SPRING, FEED FINGER	163
-	-	3-23627-7	PIN, RETAIN, GRVD, 3/16 X .854	137
-	-	2119799-1	HOLDER, FEED FINGER, AF	136
-	REF	SEE TABLE	MEMORY CHIP, PROGRAMMED	135
-	1	1633743-1	SERVO FEED LATCH ASM	133
-	1	1-18028-2	WASHER, FLAT, REG M4	119
-	1	455888-5	SPACER, CRIMPER	82
-	1	5-547505-2	SPRING, COMPRESSION	77
-	1	854769-5	HOLDER, INS	74
-	1	2119956-1	DOCUMENTATION PACKAGE	71
-	1	2119791-5	DEPRESSOR, WIRE	70
-	1	2119943-1	WASHER, SPACER	69
-	-	2119740-1	TAG, IDENTIFICATION	67
-	2	21017-2	SCREW, DRIVE	66
-	-	2119793-1	LIMITER, ADJUSTMENT BOLT	63
-	-	992763-4	SCR, SET, SOC, CONE POINT, M3 X 3.0	62
-	1	2079383-4	SCR, BHSC, RoHS (M4 X 8)	60
-	-	5-18022-5	SCR, HEX HD CAP, M4 X 6.0	59
-	1	21028-2	PIN, SLOTTED SPRING .062 X .250	58
-	-	1338685-1	PAWL, FEED	56
-	4	2168084-1	SHCS, LOW HEAD, RoHS, M4 X 12	54
-	1	1-5018030-0	NUT, HEX, REG, RoHS, M3.5	52
-	1	1901681-1	HOLDDOWN, TERMINAL	51
-	1	1-1752354-2	STANDOFF, HOLD-DOWN	50
-	-	18023-9	SCR, SKT HD CAP M4 X 6.0	49
-	-	2119652-1	FEED CAM, PRE FEED	48
-	-	2119653-1	FEED CAM, POST FEED	47
-	1	2119656-9	APPLICATOR BASIC ASSEMBLY, SF	46
-	-	2119370-1	RAM, AMP STYLE, SIDE FEED	44
-	1	2079383-7	SCR, BHSC, RoHS (M8 X 25)	41
-	-	2119645-1	DISC, NUMBERED FA WIRE ADJUSTMENT	40
-	1	2119957-1	APPLICATOR SHIM PACK	39
-	1	2119644-1	RAM WASHER, PRECISION	38
-	1	2119085-1	FA HEAD, ATLANTIC STYLE	37
-	-	2119092-1	BOLT, ADJUSTMENT	35
-	1	1752356-1	SUPPORT, TERMINAL	34
-	2	2079383-5	SCR, BHSC, RoHS (M4 X 20)	33
-	1	1-18028-3	WASHER, FLAT, REG M5	32
-	1	2168083-4	SCR, SKT HD CAP, RoHS, M5 X 10.0	31
-	1	1320908-6	SPACER, STRIP GUIDE	30
-	1	1901087-2	ASSEMBLY, STRIP GUIDE	29
-	1	1-455888-0	SPACER, CRIMPER	28
-	1	1320928-2	PLATE, STRIP GUIDE	24
-	1	1-2168083-0	SCR, SKT HD CAP, RoHS, M4 X 10	21
-	1	2119533-1	STRIPPER, SIDE FEED	19
-	1	2119806-1	INSERT, SHEAR	13
-	1	3-22280-3	SPRING, COMPRESSION	12
-	1	1-356885-4	STOP, SHEAR	11
-	1	2119805-1	SHEAR HOLDER, FRONT	10
-	1	462006-6	FLOATING SHEAR, FRONT	9
1	1	1338690-9	ANVIL, COMBINATION .055	8
-	1	2119780-9	DEPRESSOR, SHEAR	5
-	1	2-238011-0	BLOCK, CRIMPER SPACER	4
1	1	1633966-1	CRIMPER, INSULATION O	3
1	1	1-456402-5	CRIMPER, WIRE PREMIUM	1

THIS IS A PRELIMINARY DRAWING. IT IS SUBJECT TO CHANGE WITHOUT NOTICE. THE USER SHALL BE RESPONSIBLE FOR VERIFYING THE DIMENSIONS AND TOLERANCES OF THE PARTS USED IN THE ASSEMBLY.

DATE: 18OCT2010  
 BY: G. BALLEY  
 APP'D: G. BALLEY  
 PRODUCT SPEC: 19OCT2010

NAME: Ocean Side Feed AMP Style Applicator

SIZE: A | 00779 | C=2151002

CUSTOMER ACCESSIBLE PRODUCTION DRAWING SCALE: 1:2 SHEET 1 OF 1 REV B