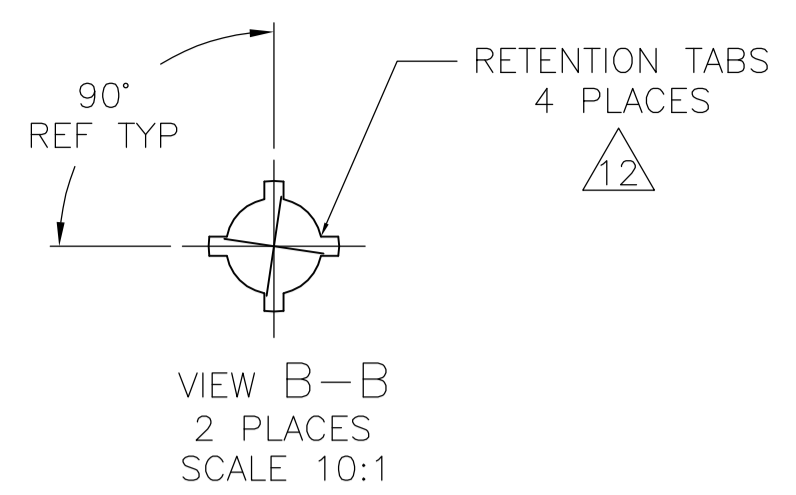
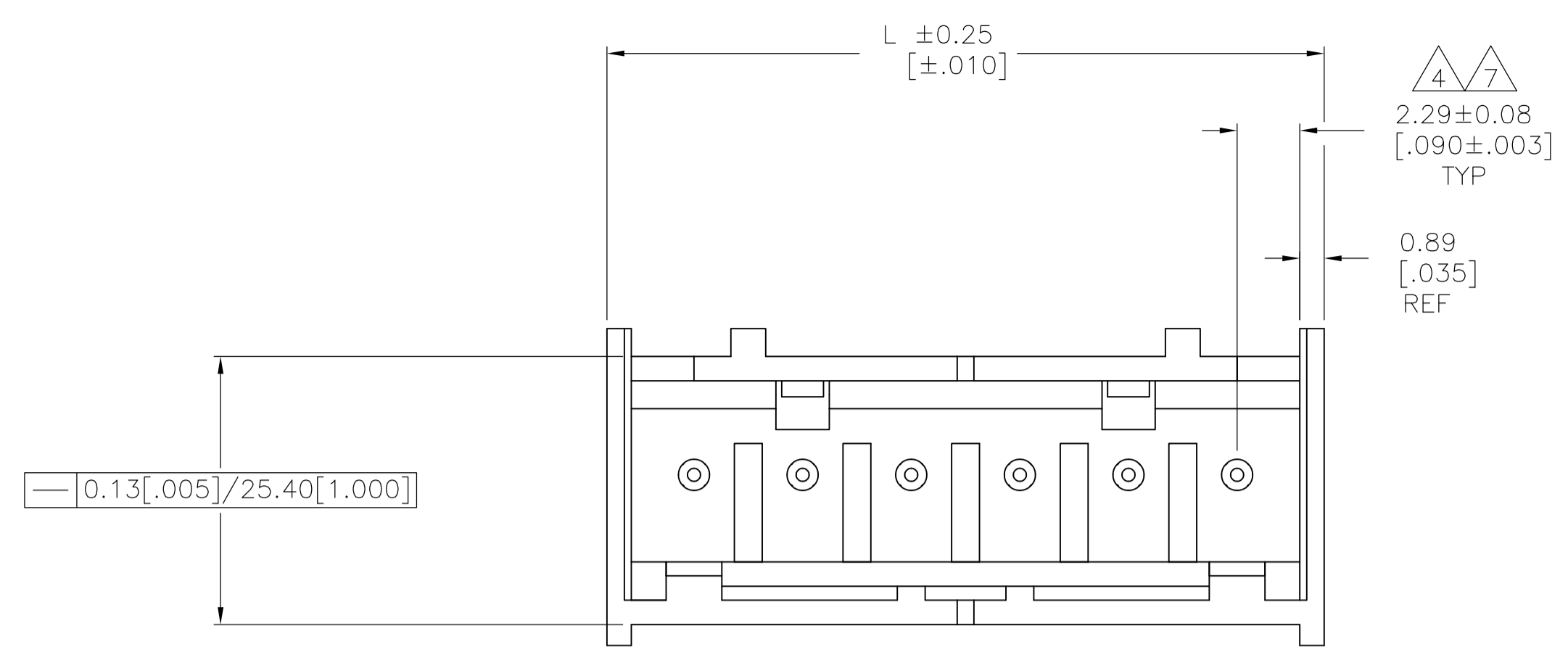
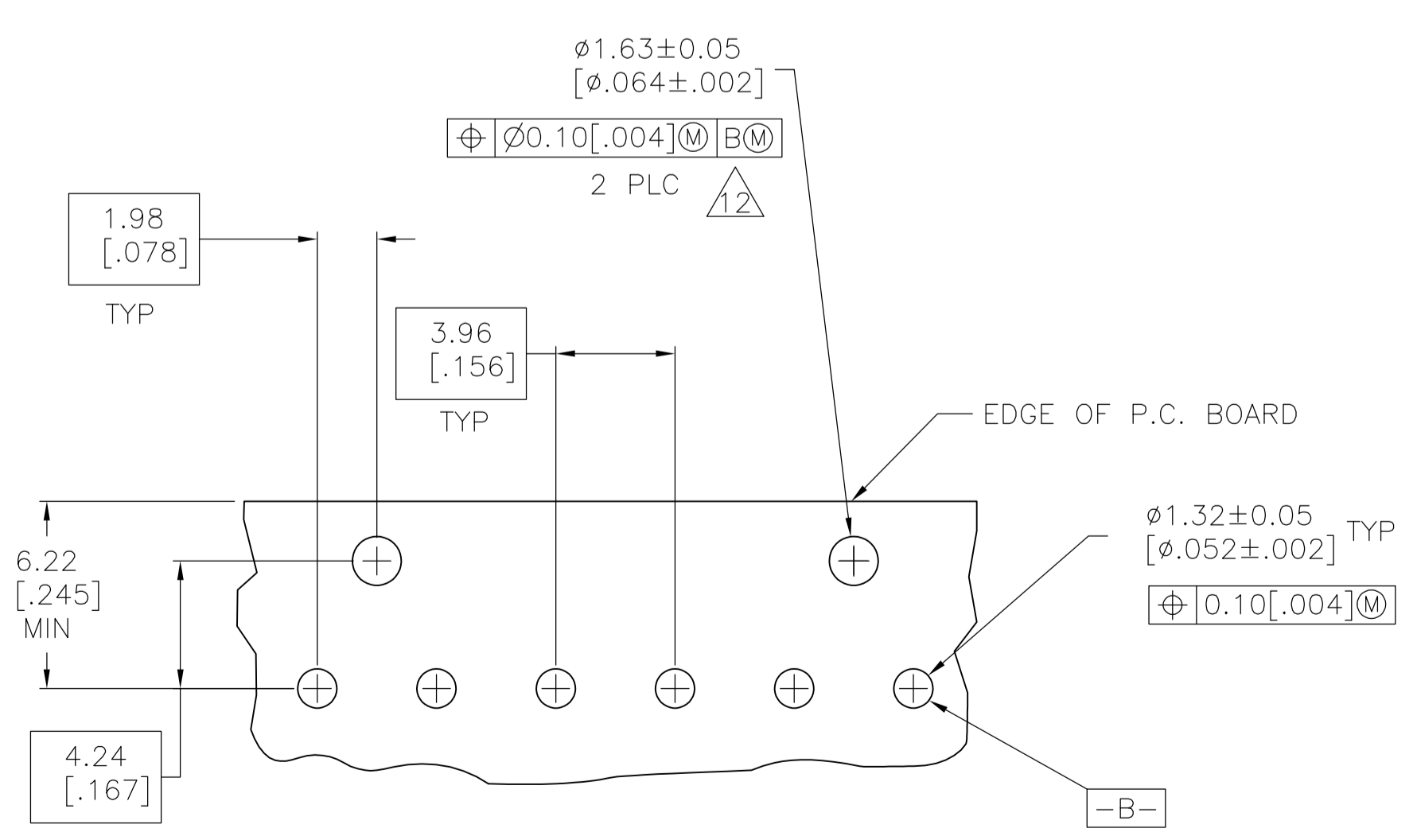
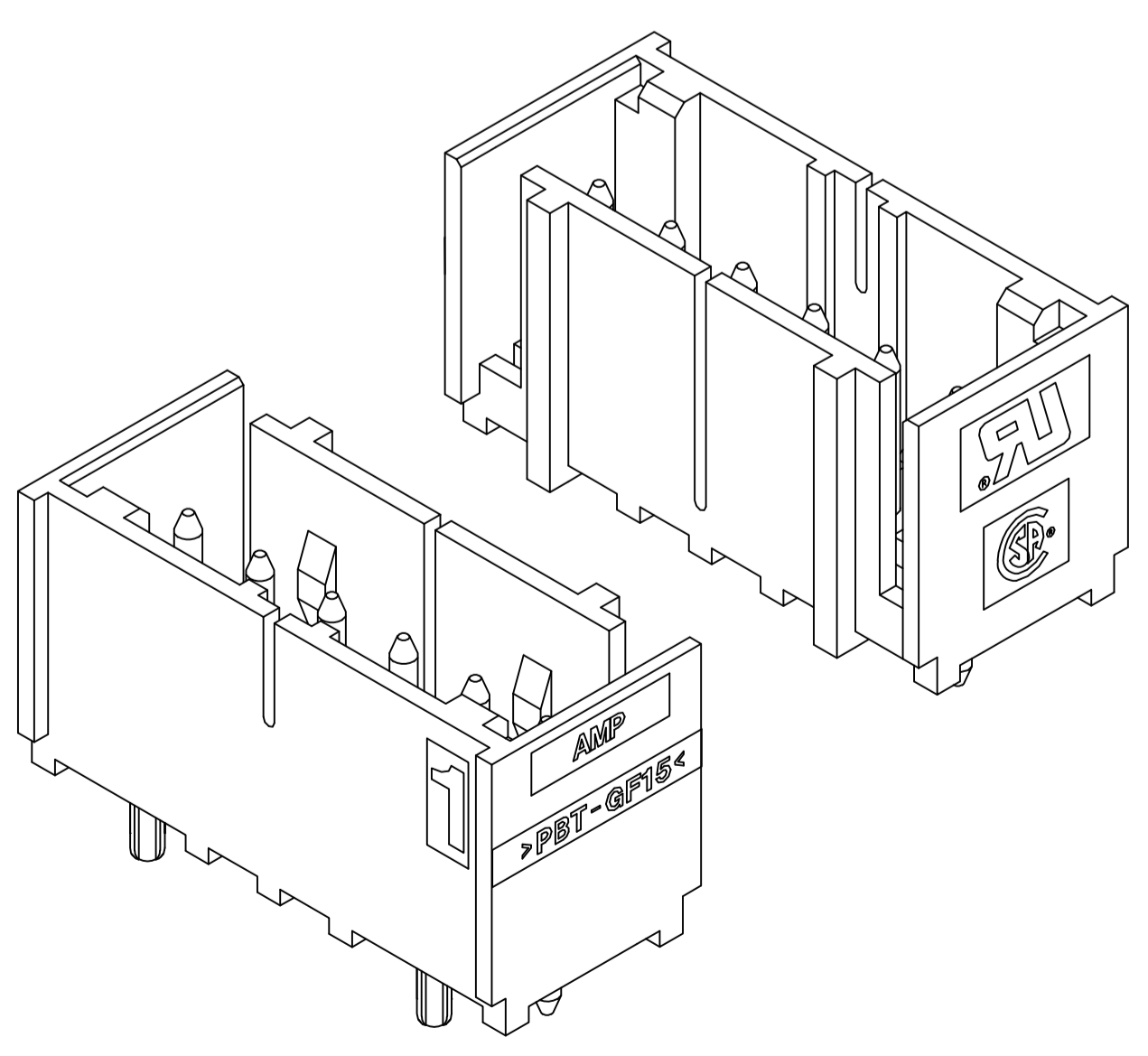
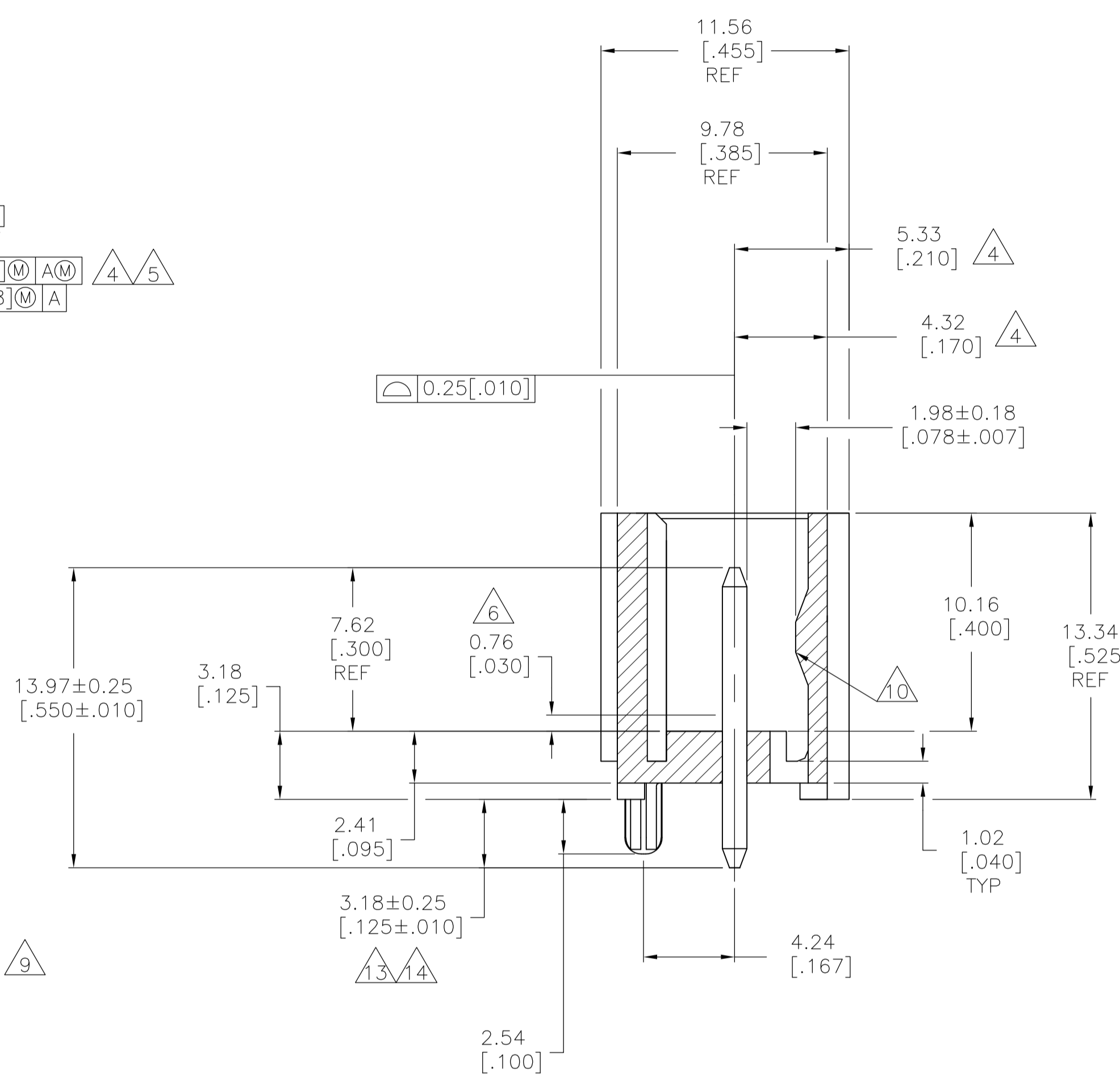
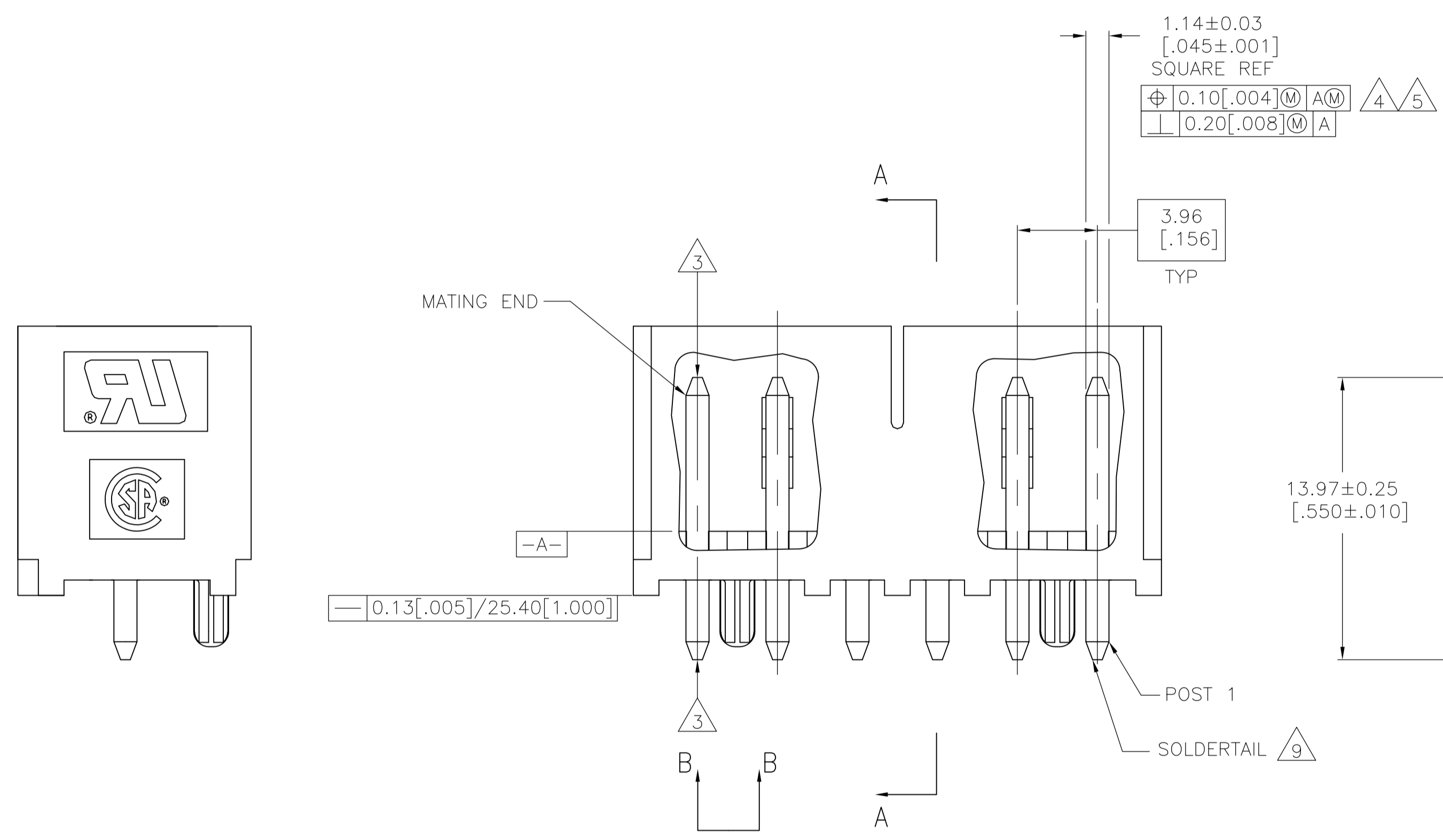


LOC	DIST	REVISIONS				
CM	0	REV	DESCRIPTION	DATE	BY	APPV
		D	EC 063B 1113 04	29DEC05	BSV	DB
		D1	REVISED PER ECO-09-022908	6OCT09	KK	AEG



- 1 MATERIAL: HOUSING - THERMOPLASTIC POLYESTER, GLASS FILLED, UL94-0. POST - COPPER ALLOY
- 2 FINISH: HOUSING - BLACK. POST - SEE NOTES 13 AND 14.
- 3 POST TO WITHSTAND 3LBS (16N) MIN AXIAL FORCE IN THIS DIRECTION WITHOUT DISLODGING.
- 4 APPLIES AT -A-.
- 5 APPLIES WHEN HEADER IS STRAIGHT.
- 6 PLASTIC PROJECTIONS PERMITTED IN THIS ZONE.
- 7 COORDINATE DIMENSIONS APPLIES FROM CENTER OF ACTUAL FEATURE.
- 8 SOLDER SIDE OF BOARD IS SHOWN.
- 9 POST SOLDERTAIL MUST COMPLY WITH AMP SOLDERABILITY SPEC 109-11-2.
- 10 LATCH DETENT FEATURE APPEARS 1 PLACE ON EACH END OF PART (MAX OF 2 PER PART) ON ALL POSITIONS 4 THRU 12. THE LATCH APPEARS ONLY ONE PLACE ON 2 & 3 POSITION PARTS.
- 11 DIMENSIONS IN BRACKETS ARE IN INCHES.
- 12 THE RETENTION TABS PROVIDE A ONE TIME INTERFERENCE FIT IN THE 1.63 [.064] DIAMETER P.C. BOARD HOLE FOR HEADER ASSEMBLY RETENTION DURING SOLDERING. FOUR TABS PER PEG, TWO PEGS PER HEADER ASSEMBLY (ONE PEG ONLY FOR -2 POSITION SIZE).
- 13 BRIGHT TIN LEAD (93/7) PLATE 0.00381 - 0.00889 [.000150 - .000350] THICK, OVER NICKEL UNDERPLATE 0.00127 [.000050] MIN THICK.
- 14 MATTE TIN PLATE 0.00381 - 0.00889 [.000150 - .000350] THICK, OVER NICKEL UNDERPLATE 0.00127 [.000050] MIN THICK.
- 15 OBSOLETE PARTS: OBSOLETE CIS STREAMLINING PER D.RENAUD/D.SINISI



647128-6 SHOWN

PLATING	MM	IN	NO. OF POSN	PART NUMBER
14	49.94	1.966	12	3-647128-2
14	45.97	1.810	11	3-647128-1
14	42.01	1.654	10	3-647128-0
14	38.05	1.498	9	2-647128-9
14	34.09	1.342	8	2-647128-8
14	30.12	1.186	7	2-647128-7
14	26.16	1.030	6	2-647128-6
14	22.20	.874	5	2-647128-5
14	18.24	.718	4	2-647128-4
14	14.27	.562	3	2-647128-3
14	10.31	.406	2	2-647128-2
13	49.94	1.966	12	1-647128-2
13	45.97	1.810	11	1-647128-1
13	42.01	1.654	10	1-647128-0
13	38.05	1.498	9	647128-9
13	34.09	1.342	8	647128-8
13	30.12	1.186	7	647128-7
13	26.16	1.030	6	647128-6
13	22.20	.874	5	647128-5
13	18.24	.718	4	647128-4
13	14.27	.562	3	647128-3
13	10.31	.406	2	647128-2

METRIC

THIS DRAWING IS A CONTROLLED DOCUMENT.

DIMENSIONS: mm [INCHES]	TOLERANCES UNLESS OTHERWISE SPECIFIED:	0 PLC ± -	1 PLC ± -	2 PLC ± -	3 PLC ± .005	4 PLC ± -	ANGLES ± -
MATERIAL	FINISH	WEIGHT	SIZE	CAGE CODE	DRAWING NO	RESTRICTED TO	
			A1	00779	647128		

CUSTOMER DRAWING SCALE 5:1 SHEET 1 OF 1 REV D1