

Customer Information Sheet

DRAWING No.: M80-PF1 TO M80-PF2

IF IN DOUBT - ASK

©

NOT TO SCALE

THIRD ANGLE PROJECTION

ALL DIMENSIONS IN mm

SPECIFICATIONS:

MATERIALS:

BODY = COPPER ALLOY

FINISH:

BODY = 0.76µ MIN GOLD OVER NICKEL

ELECTRICAL:

CONTACT RESISTANCE = 6mΩ MAX

CURRENT RATING = 40A

MECHANICAL:

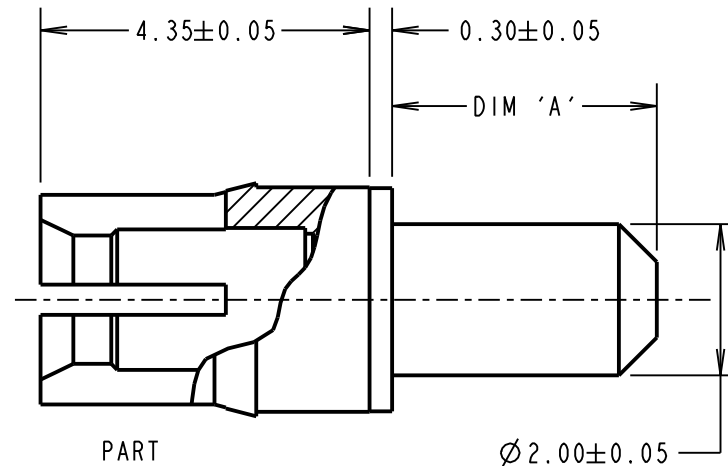
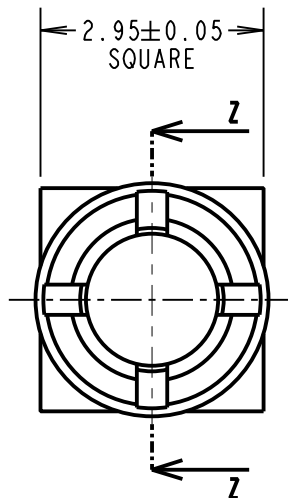
DURABILITY = 500 OPERATIONS

INSERTION FORCE = 15N MAX,

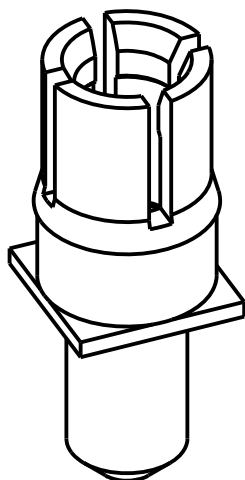
WITHDRAWAL FORCE = 0.5N MIN

ENVIRONMENTAL:

TEMPERATURE RANGE = -55°C TO +150°C



PART SECTION Z-Z



PART No.	DIM 'A'
M80-PF1	3.50
M80-PF2	5.00

NOTES:

1. RECOMMENDED PCB HOLE SIZE = Ø2.10mm MIN.
2. FOR ALL OTHER ELECTRICAL/ MECHANICAL REQUIREMENTS, SEE COMPONENT SPECIFICATION C005XX (LATEST ISSUE).

MGP	1	21.03.14	12429
NAME	ISS.	DATE	C/NOTE
APPROVED: MGP			
CHECKED: SB			
DRAWN: MARK G PLESTED			
CUSTOMER REF.:			
ASSEMBLY DRG:			

HARWIN

www.harwin.com
technical@harwin.com

THIS DRAWING AND ANY INFORMATION OR DESCRIPTIVE MATTER SET OUT HEREON ARE CONFIDENTIAL AND COPYRIGHT PROPERTY OF THE HARWIN GROUP AND MUST NOT BE DISCLOSED, LOANED, COPIED OR USED FOR MANUFACTURING, TENDERING OR FOR ANY OTHER PURPOSE WITHOUT THEIR WRITTEN PERMISSION.

TOLERANCES
X. = ±1mm
X.X = ±0.25mm
X.XX = ±0.10mm
X.XXX = ±0.01mm
ANGLES = ±5°
UNLESS STATED

MATERIAL:

SEE ABOVE

FINISH: SEE ABOVE

S/AREA:

mm²

TITLE: DATAMATE MIX-TEK
HIGH POWER CONTACT
FEMALE VERTICAL PC-TAIL

DRAWING NUMBER:

M80-PF1 TO M80-PF2

SHT
2
OF
2