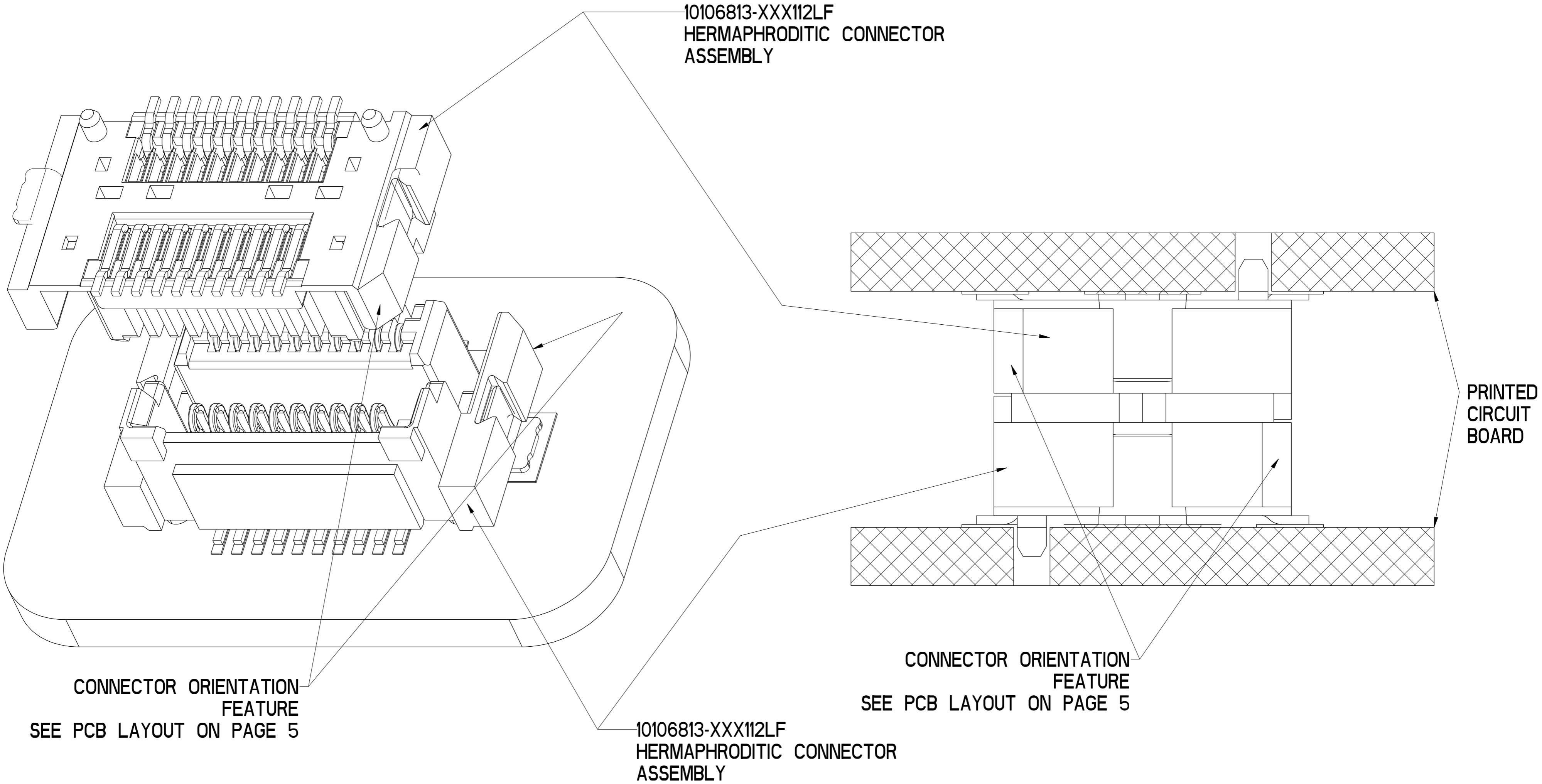


PRODUCT NUMBER  
10106813-XXX112LF



Amphenol  
FCi

© 2016 AFci

spec ref	---	dr	Stu Stoner	2010/1/18	projection	mm	size	A2	scale	10:1										
tolerance std	---	eng	Laurence Zang	2016/12/02		mm	ecn no	ELX-N-25520-1	rel level	Released										
---	TOLERANCES UNLESS OTHERWISE SPECIFIED	chr	-	app							Tim Yao	2016/12/05	product family	MezzoStak						
surface	<table border="1"> <tr> <td>linear</td> <td>0.X</td> <td>±0.3</td> </tr> <tr> <td></td> <td>0.XX</td> <td>±0.10</td> </tr> <tr> <td></td> <td>0.XXX</td> <td>±0.05</td> </tr> <tr> <td>angular</td> <td>0°</td> <td>±2°</td> </tr> </table>	linear	0.X	±0.3		0.XX	±0.10		0.XXX	±0.05	angular	0°	±2°		<b>Amphenol FCI</b> www.fci.com		title HERMAPHRODITIC CONNECTOR, LONG STYLE 20-70 POS, 0.50 CTR, 4-7MM STACK HT		dwg no 10106813	rev F
linear	0.X	±0.3																		
	0.XX	±0.10																		
	0.XXX	±0.05																		
angular	0°	±2°																		
---		cat. no.	-		Product - Customer	Drw	sheet 1 of 7													

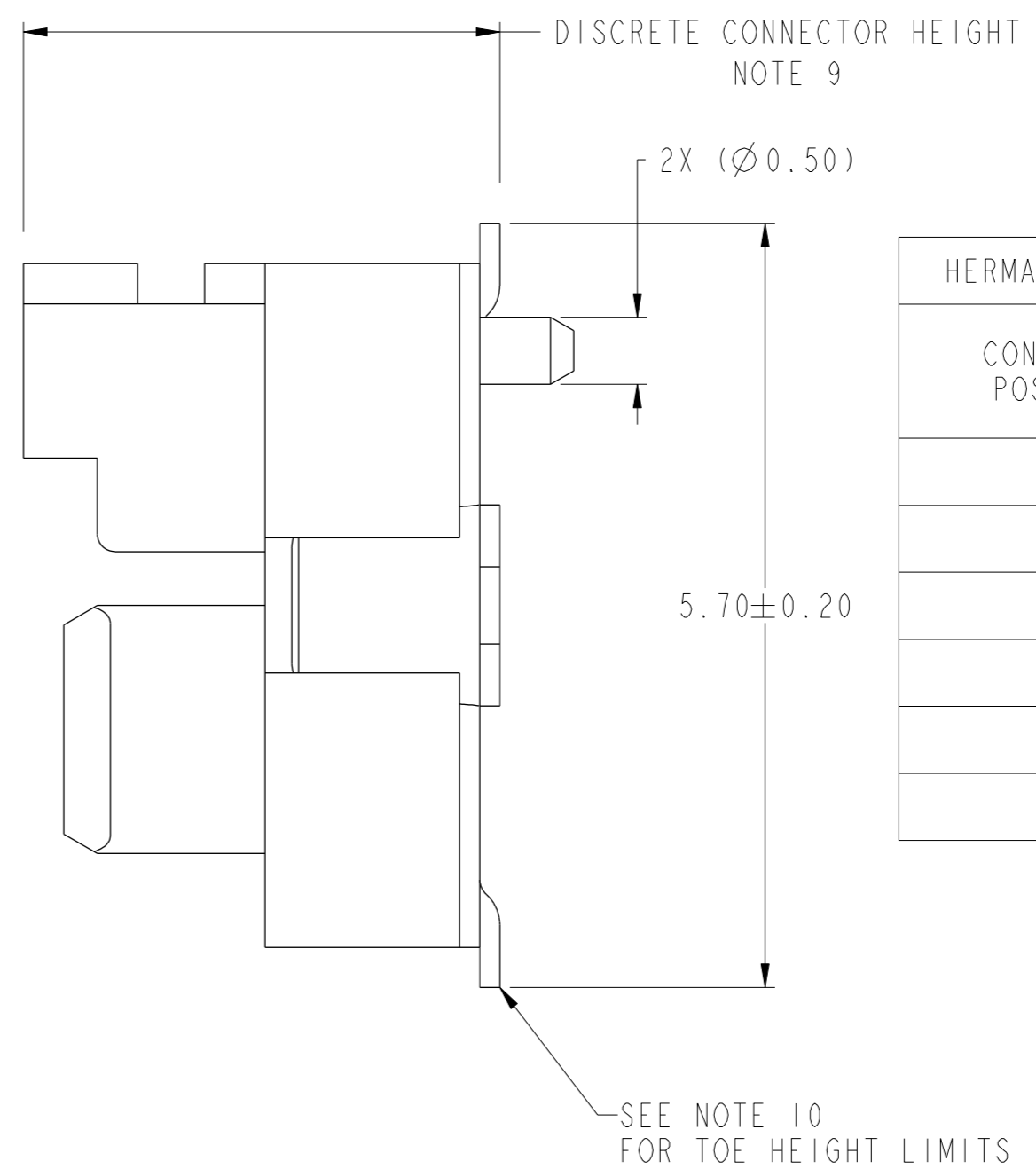
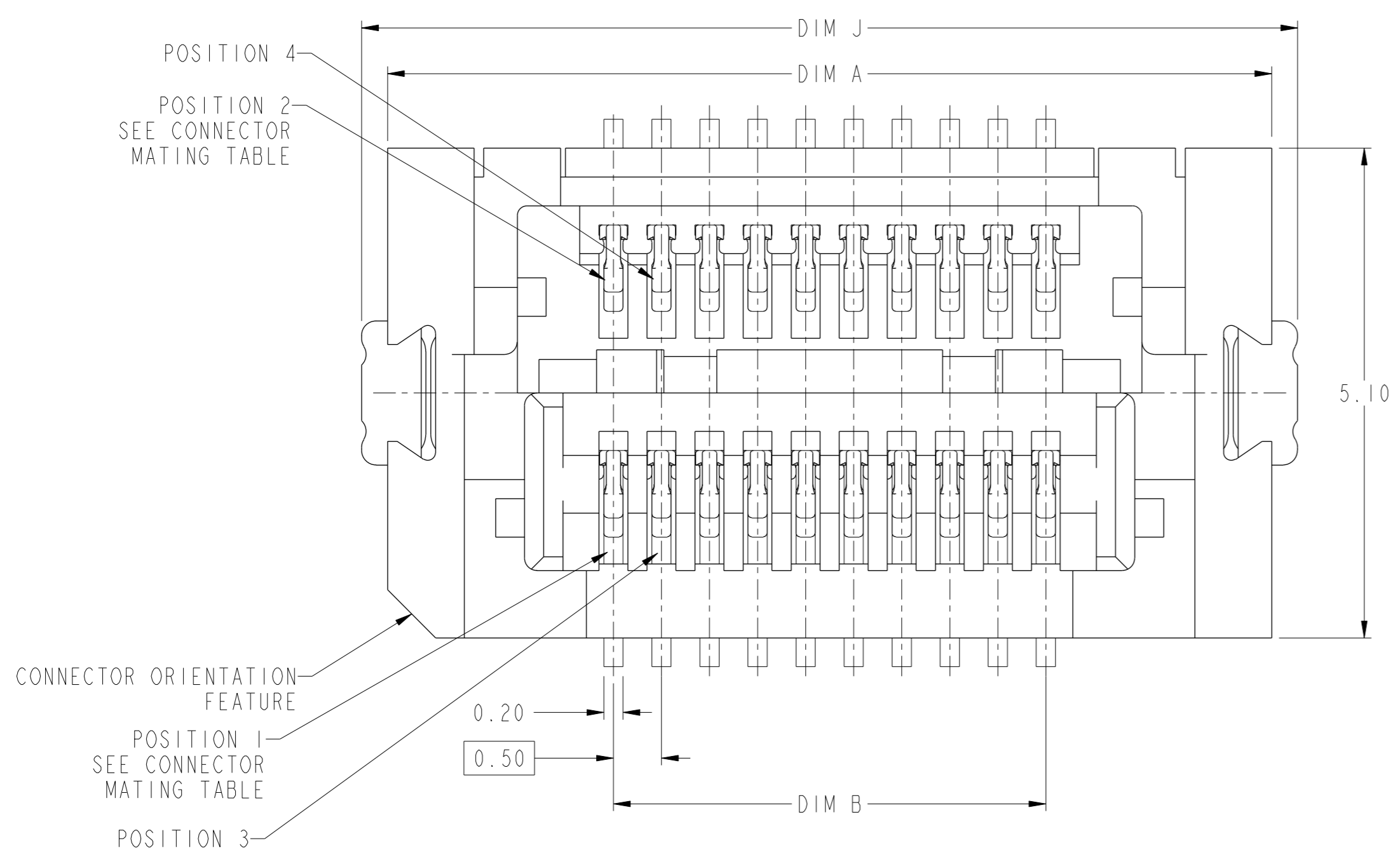
PDS: Rev :F

STATUS:Released

Printed: Dec 09, 2016

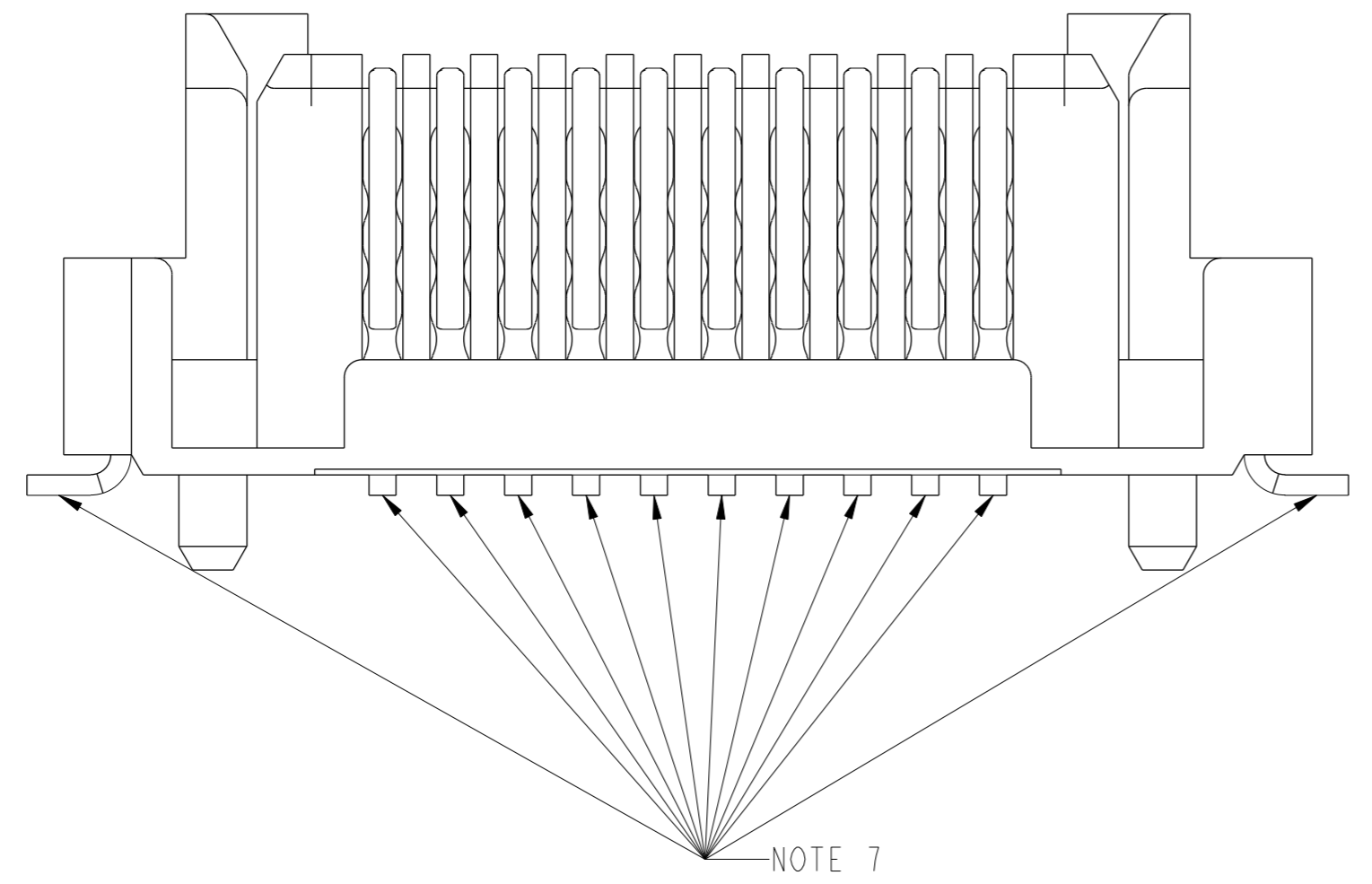
1 2 3 4 5 6 7 8

A B C D E F



HERMAPHRODITIC CONNECTOR MATING	
CONNECTOR POSITION	MATES WITH CONNECTOR POSITION
1	2
3	4
5	6
7	8
9	10
ETC.	

10106813-021112LF SHOWN  
WITHOUT STANDARD PICK-UP CAP



spec ref	---	dr	Stu Stoner	2010/1/18	projection	mm	size	A2	scale	10:1		
tolerance std	---	eng	Laurence Zang	2016/12/02		mm	ecn no	ELX-N-25520-1	rel level	Released		
---	TOLERANCES UNLESS OTHERWISE SPECIFIED	chr	-									
---		appr	Tim Yao	2016/12/05							product family	MezzoStak
surface	✓	linear	0.X	±0.3		title HERMAPHRODITIC CONNECTOR, LONG STYLE 20-70 POS, 0.50 CTR, 4-7MM STACK HT www.fci.com	dwg no 10106813	rev F	cat. no. -	Product - Customer Drw	sheet 2 of 7	
			0.XX	±0.10								
			0.XXX	±0.05								
		angular	0°	±2°								

Amphenol  
FCI

© 2016 APCI

PRODUCT NUMBER	NUMBER OF POSITIONS	DIM A	DIM B	DIM J	CONNECTOR LOCATING PEGS	CONNECTOR HOLD DOWNS	DISCRETE CONNECTOR HEIGHT NOTE 9	PRACTICAL CONNECTOR HEIGHT NOTE 8	STATUS
10106813-021112LF	20	9.20	4.50	9.74	YES	YES	3.55	2.00	RELEASED
10106813-031112LF	30	11.70	7.00	12.24					
10106813-041112LF	40	14.20	9.50	14.74					
10106813-051112LF	50	16.70	12.00	17.24					
10106813-061112LF	60	19.20	14.50	19.74					
10106813-071112LF	70	21.70	17.00	22.24					
10106813-171112LF	70	21.70	17.00	22.24					
10106813-022112LF	20	9.20	4.50	9.74					
10106813-032112LF	30	11.70	7.00	12.24					
10106813-042112LF	40	14.20	9.50	14.74					
10106813-052112LF	50	16.70	12.00	17.24					
10106813-062112LF	60	19.20	14.50	19.74					
10106813-072112LF	70	21.70	17.00	22.24					
10106813-023112LF	20	9.20	4.50	9.74					
10106813-033112LF	30	11.70	7.00	12.24					
10106813-043112LF	40	14.20	9.50	14.74					
10106813-053112LF	50	16.70	12.00	17.24					
10106813-063112LF	60	19.20	14.50	19.74					
10106813-073112LF	70	21.70	17.00	22.24					
10106813-173112LF	70	21.70	17.00	22.24					
10106813-024112LF	20	9.20	4.50	9.74					
10106813-034112LF	30	11.70	7.00	12.24					
10106813-044112LF	40	14.20	9.50	14.74					
10106813-054112LF	50	16.70	12.00	17.24					
10106813-064112LF	60	19.20	14.50	19.74					
10106813-074112LF	70	21.70	17.00	22.24					
10106813-174112LF	70	21.70	17.00	22.24					

### 0.5 BTB HERMAPHRODITIC CONNECTOR ASSEMBLY PART NUMBER SCHEME

EXAMPLE: 10106813-X X X X X 2 LF

RIB OPTION  
 0 = W/O RIB ON WELL SIDE WALL  
 1 = WITH RIBS ON WELL SIDE WALL  
 SEE BELOW PICTURES SHOWN

NUMBER OF POSITIONS
2 = 20 POS
3 = 30 POS
4 = 40 POS
5 = 50 POS
6 = 60 POS
7 = 70 POS

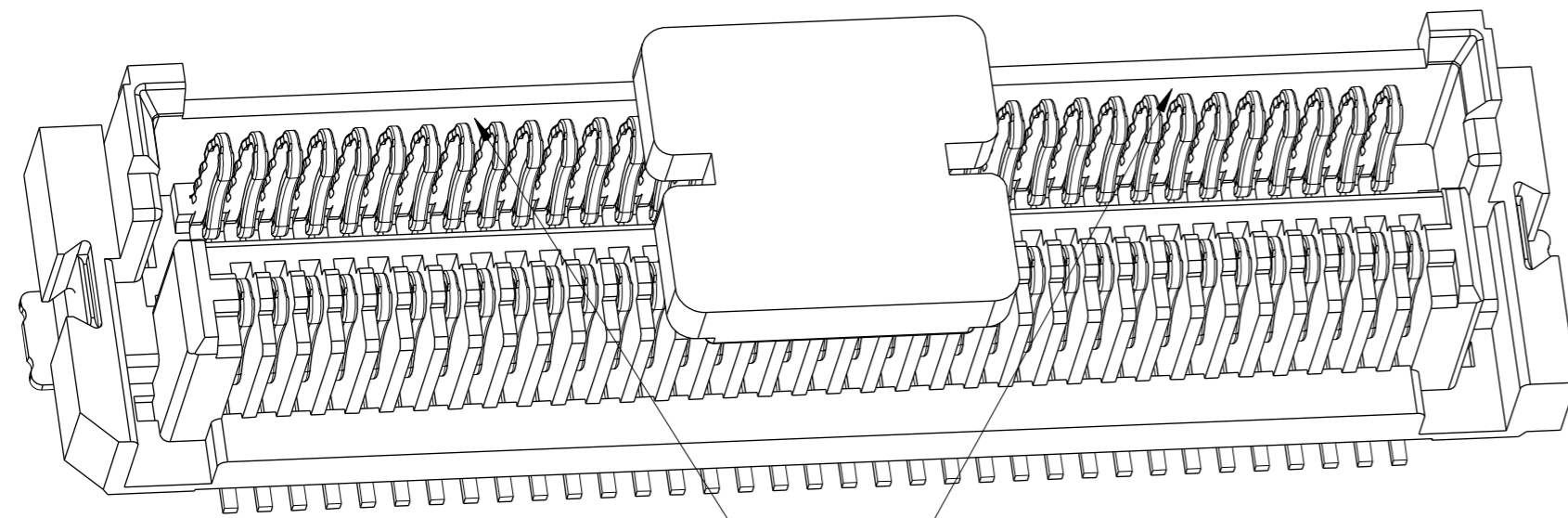
PRACTICAL CONNECTOR HEIGHT NOTE 8
1 = 2.0MM
2 = 2.5MM
3 = 3.0MM
4 = 3.5MM

HOLD DOWN OPTION  
 1 = HOLD DOWNS

PEG OPTION  
 1 = PEGS

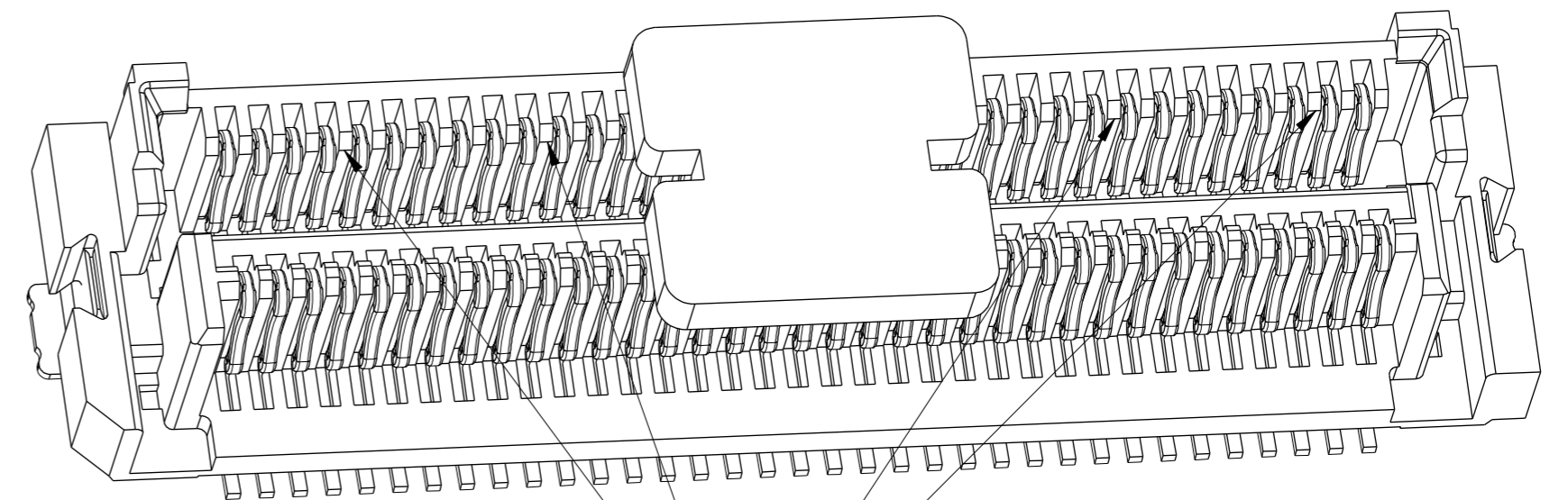
PACKAGING  
 TAPE AND REEL WITH PICK-UP CAP

LEAD FREE INDICATOR



SCALE 10:1

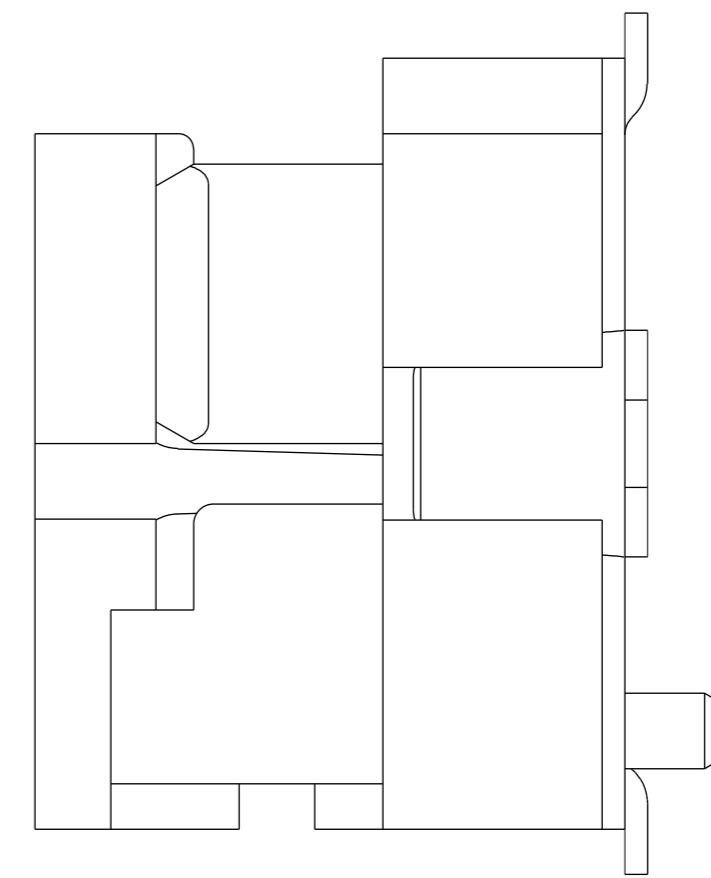
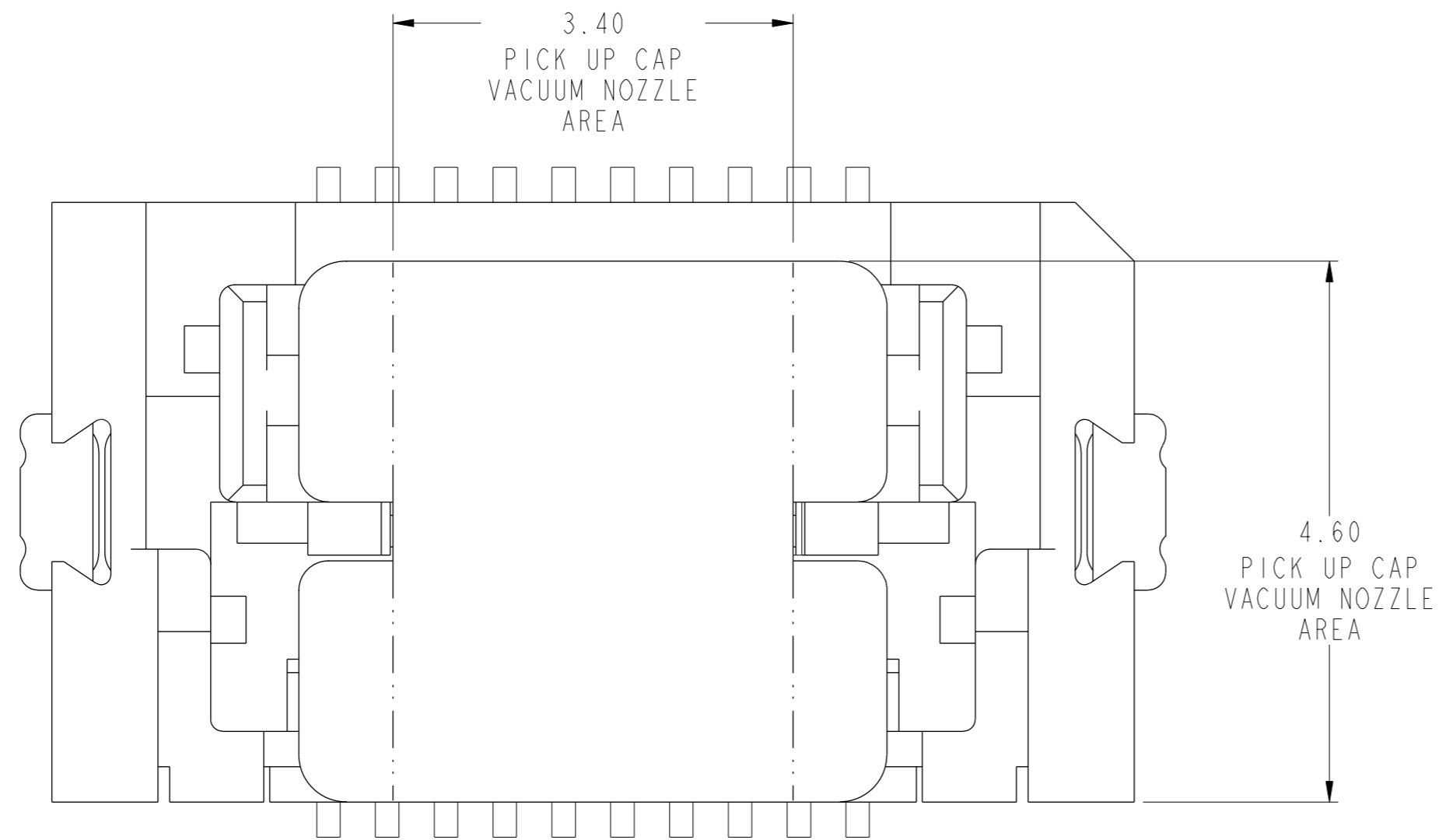
10106813-071112LF SHOWN WITHOUT RIB ON HOUSING WELL SIDE WALL



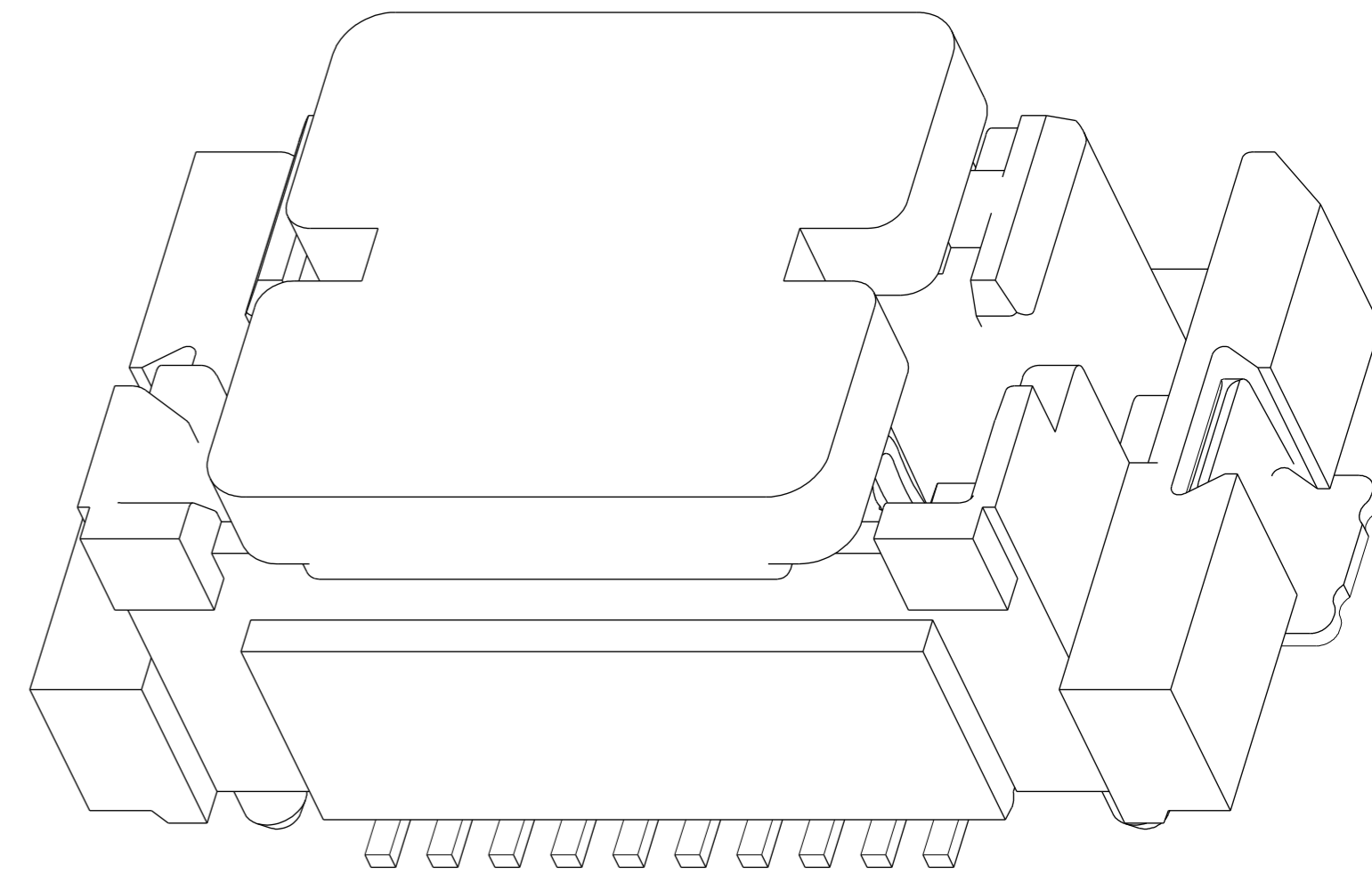
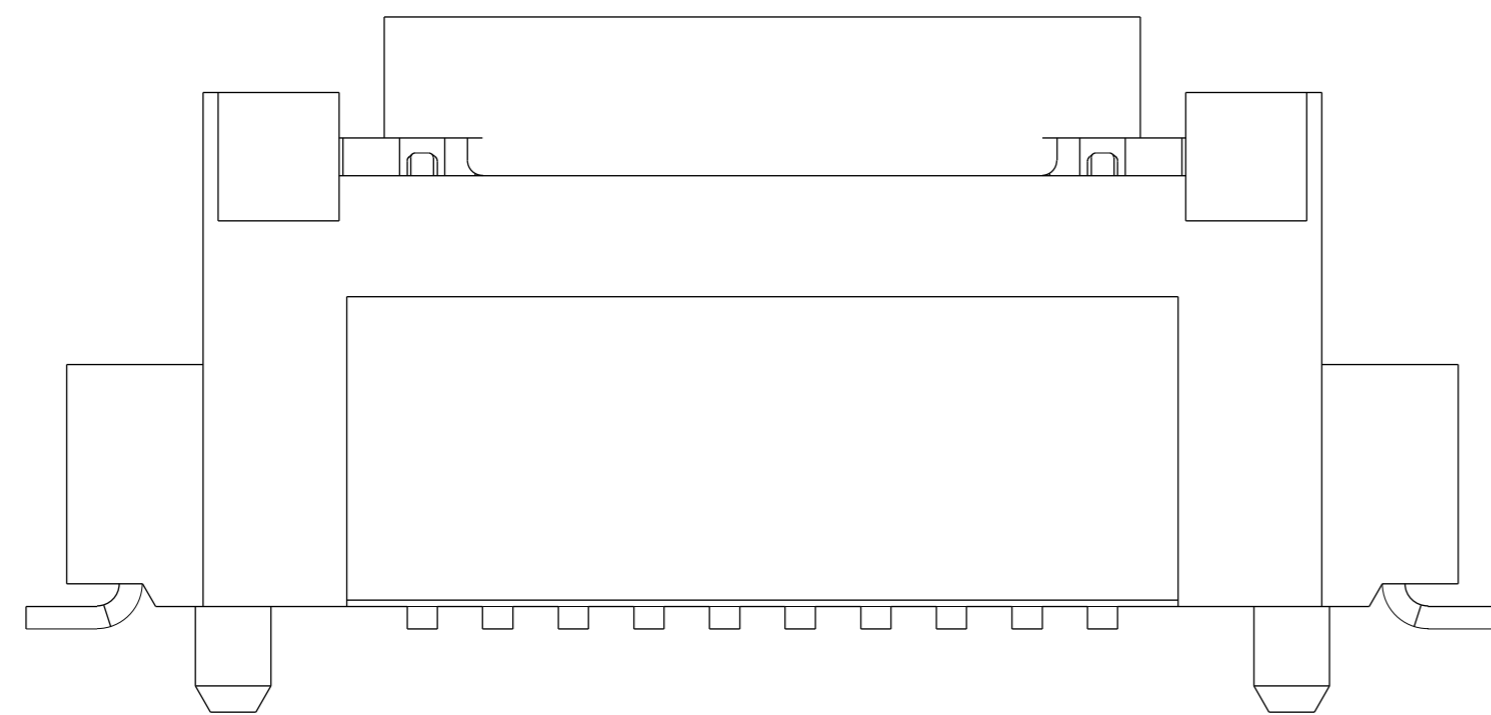
SCALE 10:1

10106813-171112LF SHOWN WITH RIBS ON HOUSING WELL SIDE WALL

spec ref	---	dr	Stu Stoner	2010/1/18	projection	mm	size	A2	scale	10:1										
tolerance std	---	eng	Laurence Zang	2016/12/02		mm	ecn no	ELX-N-25520-1	rel level	Released										
---	TOLERANCES UNLESS OTHERWISE SPECIFIED	chr	-	appr							Tim Yao	2016/12/05	product family	MezzoStak						
surface	<table border="1"> <tr><td>linear</td><td>0.X</td><td>±0.3</td></tr> <tr><td></td><td>0.XX</td><td>±0.10</td></tr> <tr><td></td><td>0.XXX</td><td>±0.05</td></tr> <tr><td>angular</td><td>0°</td><td>±2°</td></tr> </table>	linear	0.X	±0.3		0.XX	±0.10		0.XXX	±0.05	angular	0°	±2°		TITLE HERMAPHRODITIC CONNECTOR, LONG STYLE 20-70 POS, 0.50 CTR, 4-7MM STACK HT		cat. no.	Product - Customer Draw	sheet 3 of 7	rev <b>F</b>
linear	0.X	±0.3																		
	0.XX	±0.10																		
	0.XXX	±0.05																		
angular	0°	±2°																		

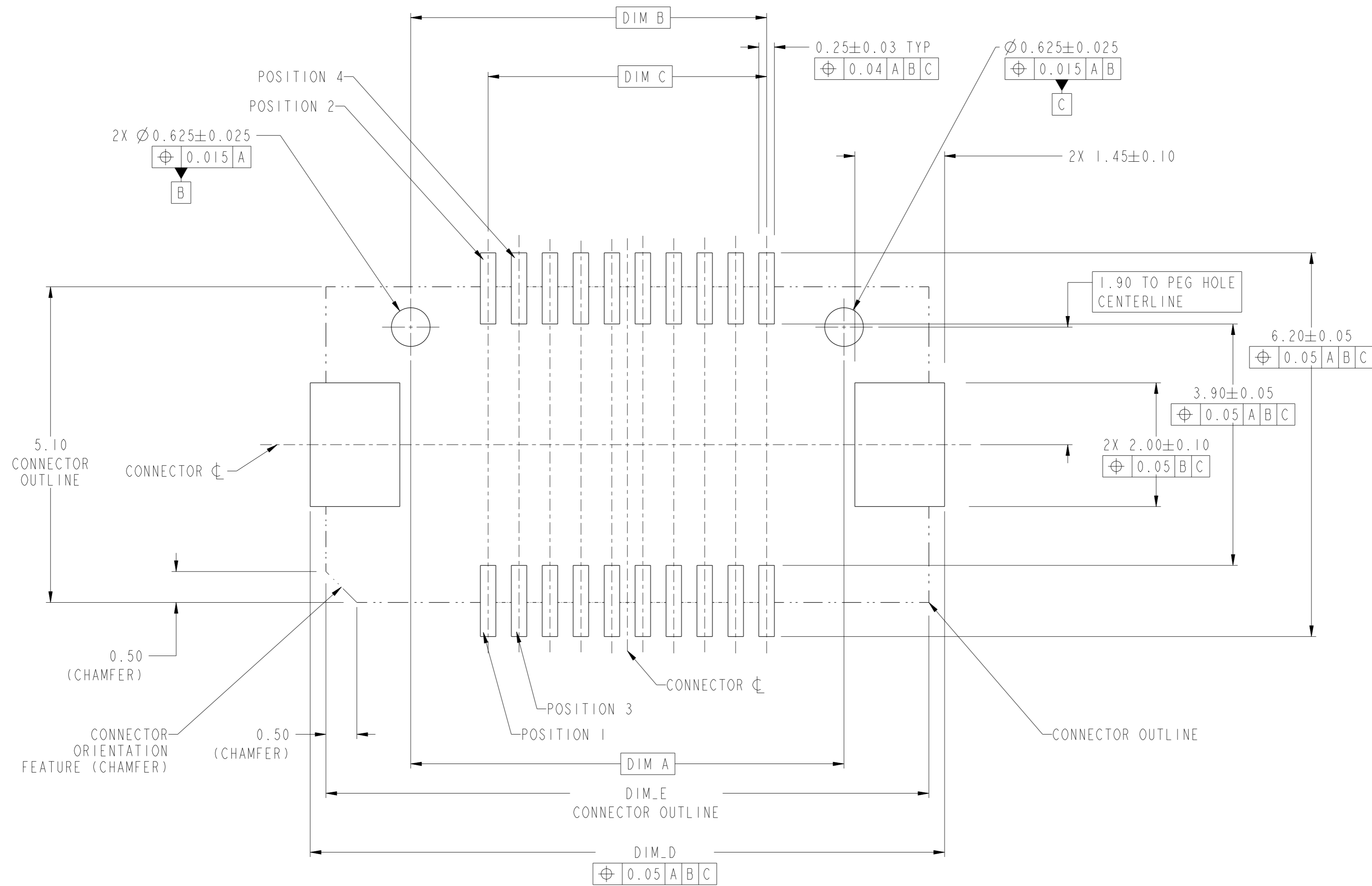


10106813-021112LF SHOWN  
WITH STANDARD PICK-UP CAP



spec ref	---	dr	Stu Stoner	2010/1/18	projection	mm	size	A2	scale	10:1			
tolerance std	---	eng	Laurence Zang	2016/12/02			ecn no	ELX-N-25520-1					
---	TOLERANCES UNLESS OTHERWISE SPECIFIED	chr	-	appr			Tim Yao	2016/12/05	product family	MezzoStak	rel level	Released	
---		surface	✓	linear			0.X	±0.3	Amphenol FCI	title	HERMAPHRODITIC CONNECTOR, LONG STYLE	divg no	10106813
				angular	0°	±2°	www.fci.com	cat. no.	-	Product - Customer Drw	sheet 4 of 7		

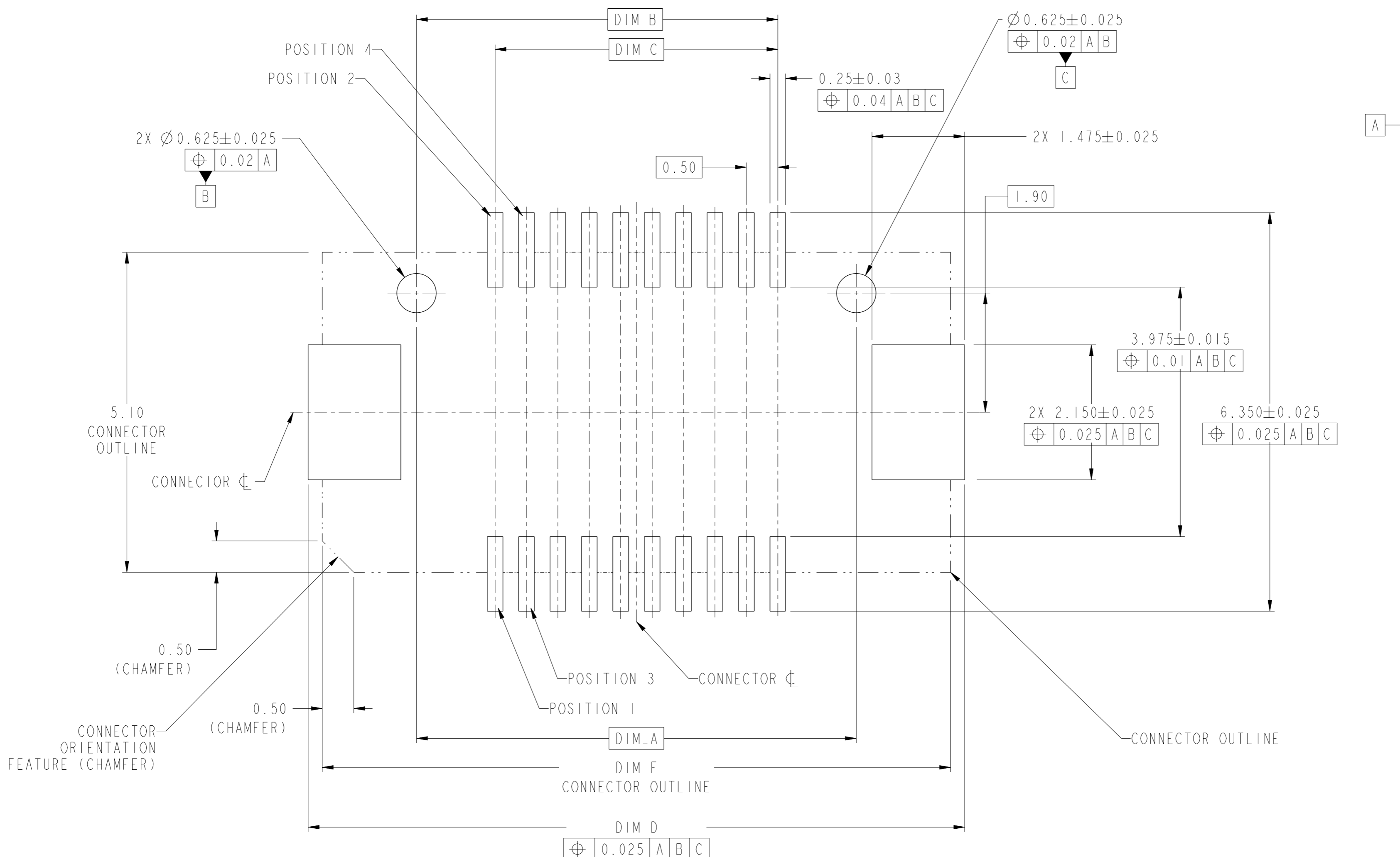
PRODUCT NUMBER	NUMBER OF POSITIONS	DIM A	DIM B	DIM C	DIM D±0.10	DIM E
10106813-02X112LF	20	7.00	5.75	4.50	10.25	9.74
10106813-03X112LF	30	9.50	8.25	7.00	12.75	12.24
10106813-04X112LF	40	12.00	10.75	9.50	15.25	14.74
10106813-05X112LF	50	14.50	13.25	12.00	17.75	17.24
10106813-06X112LF	60	17.00	15.75	14.50	20.25	19.74
10106813-X7X112LF	70	19.50	18.25	17.00	22.75	22.24



OPTION 1 - SPACE OPTIMIZED FOOTPRINT  
 SEE TABLE FOR PCB LAYOUT DIMENSIONS  
 SEE NOTE 11 FOR STENCIL CREATION GUIDELINES

spec ref	---	dr	Stu Stoner	2010/1/18	projection	mm	size	A2	scale	10:1										
tolerance std	---	eng	Laurence Zang	2016/12/02		mm	ecn no	ELX-N-25520-1	rel level	Released										
---	TOLERANCES UNLESS OTHERWISE SPECIFIED	chr	-	appr							Tim Yao	2016/12/05	product family	MezzoStak						
surface	<table border="1"> <tr> <td>linear</td> <td>0.X</td> <td>±0.3</td> </tr> <tr> <td></td> <td>0.XX</td> <td>±0.10</td> </tr> <tr> <td></td> <td>0.XXX</td> <td>±0.05</td> </tr> <tr> <td>angular</td> <td>0°</td> <td>±2°</td> </tr> </table>	linear	0.X	±0.3		0.XX	±0.10		0.XXX	±0.05	angular	0°	±2°			TITLE HERMAPHRODITIC CONNECTOR, LONG STYLE 20-70 POS, 0.50 CTR, 4-7MM STACK HT		cat. no. ---	Product - Customer Drw	sheet 5 of 7
linear	0.X	±0.3																		
	0.XX	±0.10																		
	0.XXX	±0.05																		
angular	0°	±2°																		

PRODUCT NUMBER	NUMBER OF POSITIONS	DIM A	DIM B	DIM C	DIM D±0.025	DIM E
10106813-02X112LF	20	7.00	5.75	4.50	10.45	9.74
10106813-03X112LF	30	9.50	8.25	7.00	12.95	12.24
10106813-04X112LF	40	12.00	10.75	9.50	15.45	14.74
10106813-05X112LF	50	14.50	13.25	12.00	17.95	17.24
10106813-06X112LF	60	17.00	15.75	14.50	20.45	19.74
10106813-X7X112LF	70	19.50	18.25	17.00	22.95	22.24



**OPTION 2 - FOOTPRINT**  
**SEE TABLE FOR PCB LAYOUT DIMENSIONS**  
**SEE NOTE 11 FOR STENCIL CREATION GUIDELINES**

spec ref	---	dr	Stu Stoner	2010/1/18	projection	mm	size	A2	scale	10:1	
tolerance std	---	eng	Laurence Zang	2016/12/02		mm	ecn no	ELX-N-25520-1	rel level	Released	
---	TOLERANCES UNLESS OTHERWISE SPECIFIED	chr	-	apppr							Tim Yao
surface	✓	linear	0.X	±0.3	<b>Amphenol FCI</b> HERMAPHRODITIC CONNECTOR, LONG STYLE 20-70 POS, 0.50 CTR, 4-7MM STACK HT www.fci.com	<div style="display: flex; align-items: center;"> <div style="writing-mode: vertical-rl; transform: rotate(180deg);">div no</div> <div style="margin-left: 10px;">10106813</div> </div>	rev	F	sheet 6 of 7		
---	angular	0°	±2°	cat. no.						-	Product - Customer Drw
PDS: Rev :F STATUS:Released Printed: Dec 09, 2016											

Amphenol FCI

© 2016 APCI

NOTES

1 - MATERIAL:  
 HOUSING - LCP, UL94-V0, COLOR: BLACK  
 CONTACTS:  
 CONTACT PLATING:  
 SEPARABLE INTERFACE: PERFORMANCE-BASED PLATING, QUALIFIED TO MEET THE REQUIREMENTS OF FCI PRODUCT SPECIFICATION GS-12-577.  
 SOLDER TAILS: GOLD FLASH  
 HOLD DOWNS: BRASS PLATED WITH 2.5um Sn OVER 1.27um UNDERPLATE.

2 - RECOMMENDED LEAD FREE SOLDER PASTE THICKNESS 150um.

3 - THE HOUSING WILL WITHSTAND EXPOSURE TO 260°C PEAK TEMPERATURE FOR 30 SECONDS IN A CONVECTION INFRA RED OR VAPOR PHASE REFLOW OVEN.

4 - THIS PRODUCT MEETS EUROPEAN UNION DIRECTIVES AND OTHER COUNTRY REGULATION AS DESCRIBED IN GS-22-008

5 - PACKAGING TAPE AND REEL. PACKAGING SPECIFICATION GS-14-1320

6 - PRODUCT SPECIFICATION GS-12-577

⑦ - LEAD CO-PLANARITY TO BE 0.08MM MAX.

⑧ - PRACTICAL CONNECTOR HEIGHT AS SPECIFIED IN THE TABLE IS NOT THE DIMENSIONAL HEIGHT OF THE CONNECTOR BUT THE HEIGHT AS IT PERTAINS TO TOTAL STACK HEIGHT. AN EXAMPLE IS A CONNECTOR WITH A 2.5MM PRACTICAL CONNECTOR HEIGHT AND WHEN MATED TO ITSELF WILL RESULT IN A BOARD TO BOARD STACK HEIGHT OF 5MM.

⑨ - DISCRETE CONNECTOR HEIGHT AS SHOWN IN THE TABLE IS THE ACTUAL DIMENSIONAL CONNECTOR HEIGHT. ALSO SEE INFORMATION ON PRACTICAL HEIGHT IN NOTE 8.

⑩ - THE TOE HEIGHT OF THE SOLDER TAIL SHALL BE MEASURED FROM THE LOWEST POINT OF THE 0.08 COPLANRITY PLANE. THIS MEASUREMENT SHALL NOT EXCEED A WINDOW OF 0.00 TO 0.10MM.

⑪ - REFER TO IPC 7525-A FOR STENCIL CREATION

Amphenol  
FCi

© 2016 AFCi

spec ref	---	dr	Stu Stoner	2010/1/18	projection	mm	size	A2	scale	10:1																
tolerance std	---	eng	Laurence Zang	2016/12/02			ecn no	ELX-N-25520-1																		
---	TOLERANCES UNLESS OTHERWISE SPECIFIED	chr	-	appr			Tim Yao	2016/12/05	product family	MezzoStak	rel level	Released														
surface	<table border="1"> <tr> <td rowspan="3"> </td> <td>linear</td> <td>0.X</td> <td>±0.3</td> <td rowspan="3"> </td> <td rowspan="3">                     HERMAPHRODITIC CONNECTOR, LONG STYLE                      20-70 POS, 0.50 CTR, 4-7MM STACK HT                 </td> <td rowspan="3">                     divg no                      10106813                 </td> <td rowspan="3">                     rev                      F                 </td> </tr> <tr> <td></td> <td>0.XX</td> <td>±0.10</td> </tr> <tr> <td></td> <td>0.XXX</td> <td>±0.05</td> </tr> <tr> <td>---</td> <td>angular</td> <td>0°</td> <td>±2°</td> <td>www.fci.com</td> <td>cat. no.</td> <td>-</td> <td>Product - Customer Drw</td> <td>sheet 7 of 7</td> </tr> </table>		linear	0.X	±0.3		HERMAPHRODITIC CONNECTOR, LONG STYLE 20-70 POS, 0.50 CTR, 4-7MM STACK HT	divg no 10106813	rev F		0.XX	±0.10		0.XXX	±0.05	---	angular	0°	±2°	www.fci.com	cat. no.	-	Product - Customer Drw	sheet 7 of 7		
	linear		0.X	±0.3						HERMAPHRODITIC CONNECTOR, LONG STYLE 20-70 POS, 0.50 CTR, 4-7MM STACK HT	divg no 10106813	rev F														
			0.XX	±0.10																						
		0.XXX	±0.05																							
---	angular	0°	±2°	www.fci.com	cat. no.	-	Product - Customer Drw	sheet 7 of 7																		