

PLEASE CHECK WWW.MOLEX.COM FOR LATEST PART INFORMATION

Part Number: [62201-8669](#)
Status: **Active**
Description: Press-In Tool for Power Module Assembly, 6-Pair Assemblies

Documents:
[RoHS Certificate of Compliance \(PDF\)](#)

General

Product Family	Application Tooling
Series	T3002
Function	Insertion
Geographic Area	Global
Level of Automation	Manual
More Detailed Tech Information	applicationtooling@molex.com
Product Name	Impact™
Survey	www.molex.com//review/apptool_survey.html
Tool Type	Handtool
UPC	884982107885

Material Info

Reference - Drawing Numbers

Application Tooling Documents ATS-622018669, TM-622018799

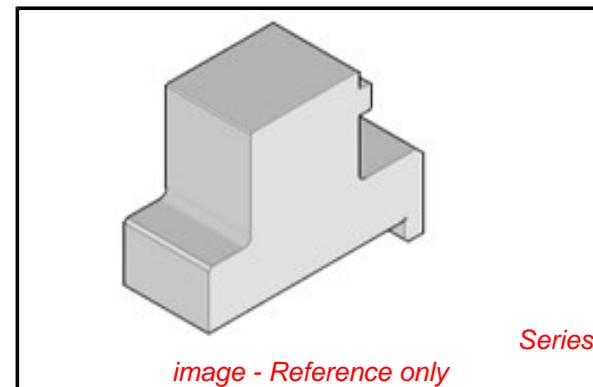


image - Reference only

EU RoHS

**ELV and RoHS
Compliant**

REACH SVHC

Not Reviewed

Low-Halogen Status

Not Reviewed

China RoHS



**Need more information on product
environmental compliance?**

Email productcompliance@molex.com
 For a multiple part number RoHS Certificate of
 Compliance, [click here](#)

Please visit the [Contact Us](#) section for any
 non-product compliance questions.

Search Parts in this Series

[T3002Series](#)

Use With

78217 Impact™ Power Module Assembly, 6-
 Pair Assemblies

Application Tooling | **FAQ**

Description	Product #
Impact™ 6 Pair, Right Angle Power Header, 2.00mm Pitch, Press-Fit, Blade A1 & A2 6.90mm; B1 & B2 and C1 & C2 Length 5.70mm, LCP, Glass Filled, UL94-V0, Black, Tray Packaging, Lead- Free	0782171022
Impact™ 6 Pair, Right Angle Power Header, 2.00mm Pitch, Press-Fit,	0782171077

Blade A1 & A2 and
B1 & B2 6.90mm;
and C1 & C2 Length
5.70mm, LCP,
Glass Filled, UL94-
V0, Black, Tray
Packaging, Lead-
Free

Impact™ 6 Pair, 0782171011
Right Angle Power
Header, 2.00mm
Pitch, Press-Fit,
Blade A1 & A2; B1
& B2 and C1 & C2
Length 6.90mm,
LCP, Glass Filled,
UL94-V0, Black, Tray
Packaging, Lead-
Free

This document was generated on 04/04/2013

PLEASE CHECK WWW.MOLEX.COM FOR LATEST PART INFORMATION