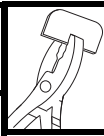
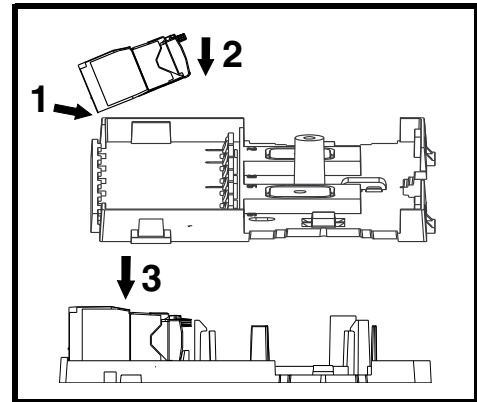




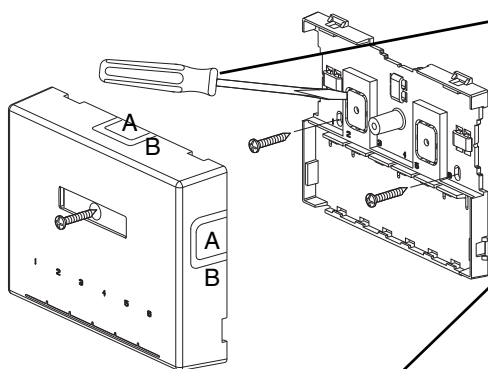
PART NO.	RACEWAY	BREAK OUT
CBXJ2**-A	LDP3/LD3 LDP5/LD5	A
CBXC4**-A	LDP3/LD3	A
CBX6**-AY	LDP5/LD5	B
CBX12**-AY	LDP5/LD5	A
	LDP10/LD10	B
CBXD6**-AY	LDP3/LD3	A
	LDP5/LD5	B
	LDP10/LD10	C



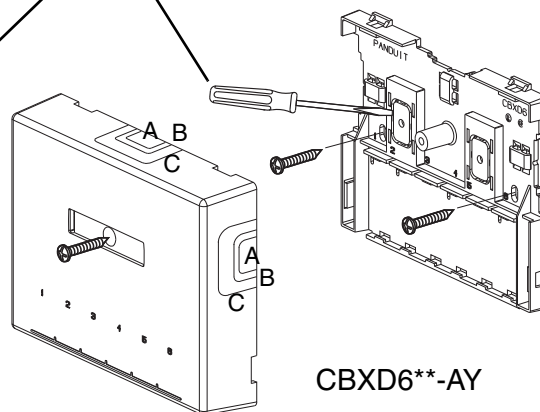
### HOW TO MOUNT THE Mini-Com MODULES



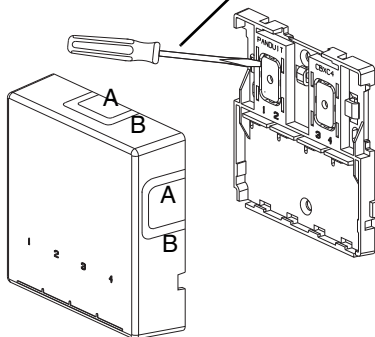
IF RUNNING CABLE THROUGH WALL, REMOVE BREAKOUTS BEFORE MOUNTING TO WALL



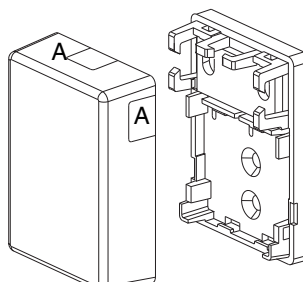
CBX6\*\*-AY



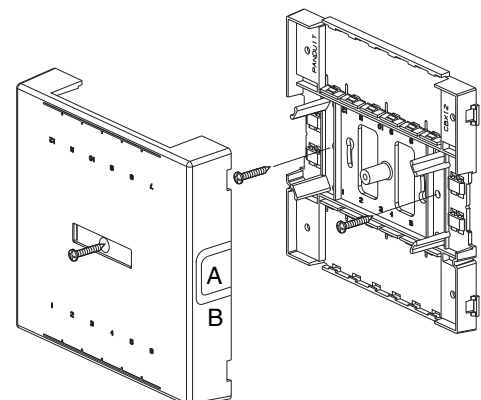
CBXD6\*\*-AY



CBXC4\*\*-A



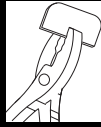
CBXJ2\*\*-AY



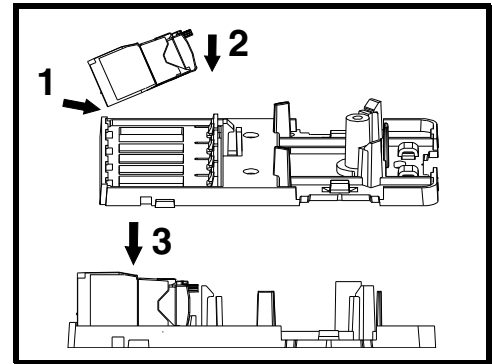
CBX12\*\*-AY

\*\* Denotes color.

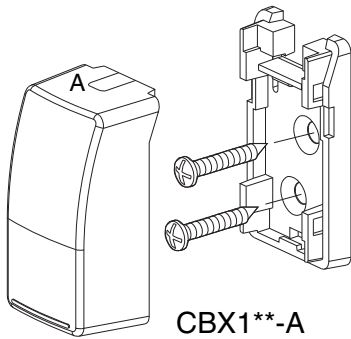
PART NO.	RACEWAY	BREAK OUT
CBX1**-A	LDP3/LD3	A
CBX2**-AY	LDP3/LD3	A
CBX4**-AY	LDP5/LD5	B
CBXF6**-AY		
CBXF12**-AY	LDP5/LD5	A
	LDP10/LD10	B



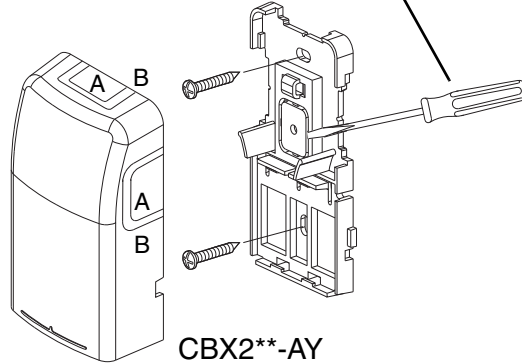
**HOW TO MOUNT THE Mini-Com MODULES**



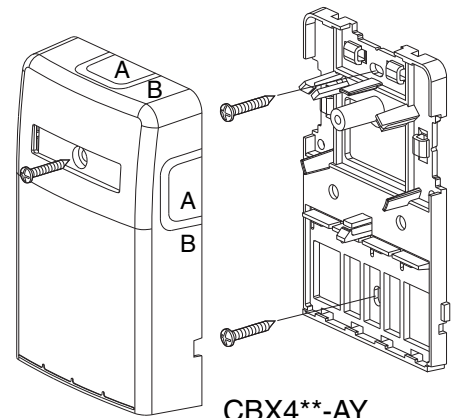
IF RUNNING CABLE THROUGH WALL, REMOVE BREAKOUT BEFORE MOUNTING TO WALL



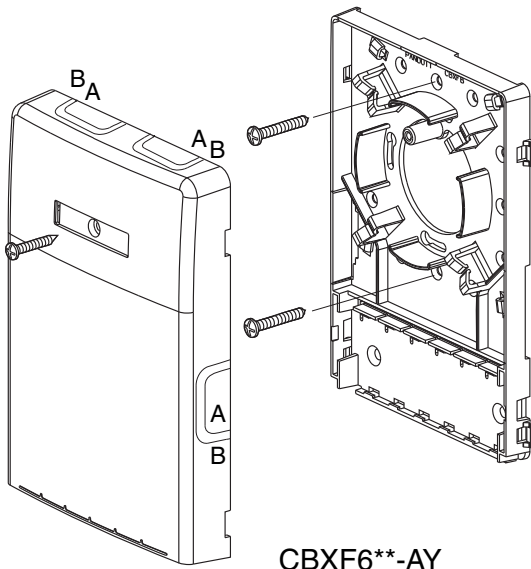
CBX1\*\*-A



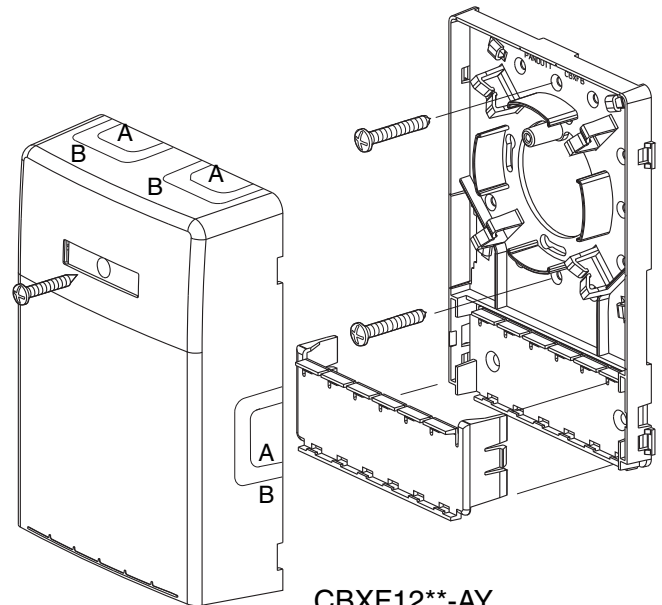
CBX2\*\*-AY



CBX4\*\*-AY



CBXF6\*\*-AY



CBXF12\*\*-AY

**Fiber Installation Tips:**

Maintain 30mm minimum bend radius.  
 Spool 1 meter minimum buffered fiber.

For Instructions in Local Languages  
 and Technical Support:

[www.panduit.com/resources/install\\_maintain.asp](http://www.panduit.com/resources/install_maintain.asp)



[www.panduit.com](http://www.panduit.com)

E-mail:  
 cs@panduit.com

Fax:  
 (708) 444-6993