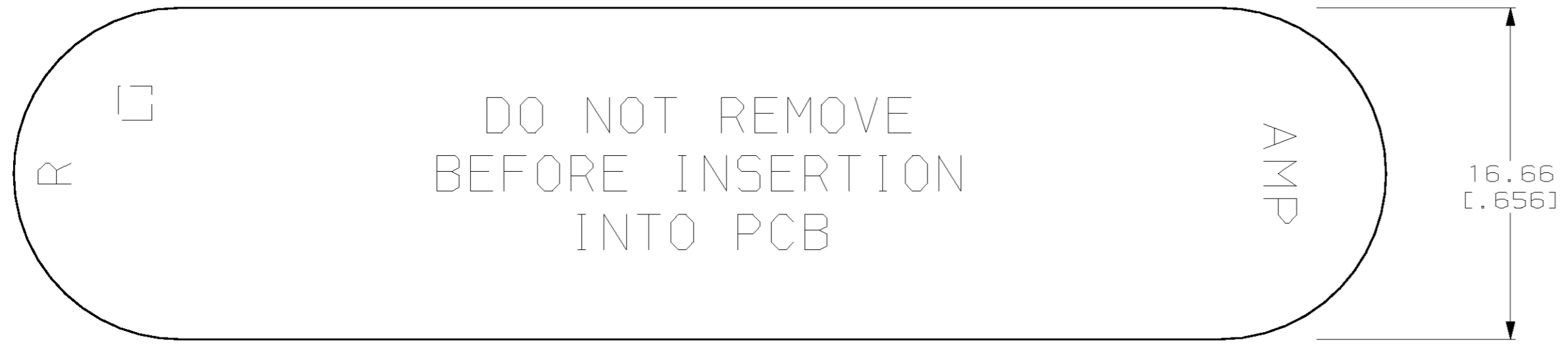


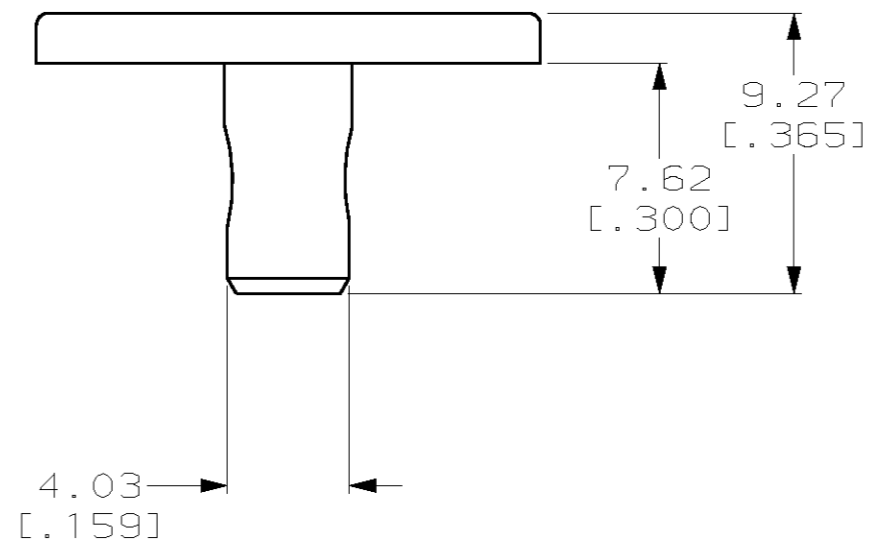
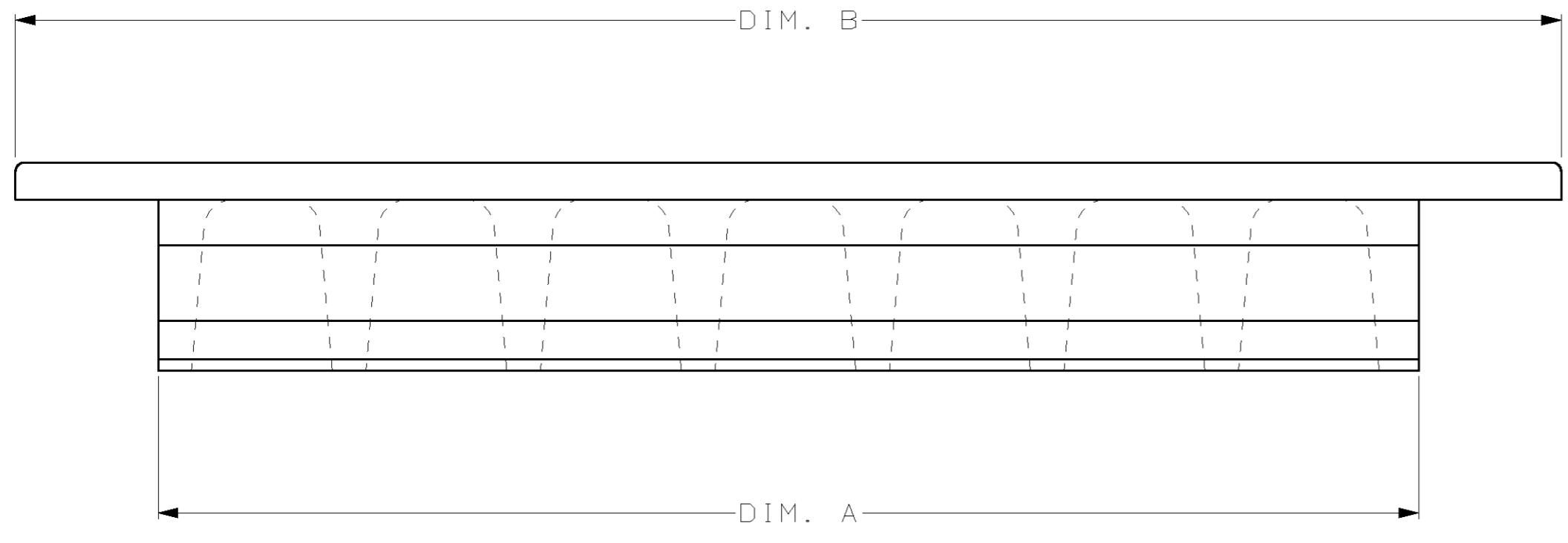
THIS DRAWING IS UNPUBLISHED. RELEASED FOR PUBLICATION  
 BY AMP INCORPORATED, ALL RIGHTS RESERVED.

LOC	DIST	REVISIONS			
P	LTR	DESCRIPTION	DATE	DWN	APVD
AA	20	A	REVISED; EC 0UFO-0130-01	28SEP01	DLD EWB



- 1. MATERIAL: POLYETHYLENE MOLDING COMPOUND, NATURAL.
- 2. DIMENSIONS ARE MAXIMUM UNLESS OTHERWISE SPECIFIED.

553441-4 SHOWN



POSITION	DIM. B	DIM. A	PART NUMBER
64	84.07 [3.310]	71.37 [2.810]	553441-5
50	68.84 [2.710]	56.13 [2.210]	553441-4
36	53.59 [2.110]	40.89 [1.610]	553441-3
24	40.89 [1.610]	28.19 [1.110]	553441-2
14	29.72 [1.170]	17.02 [0.670]	553441-1

THIS DRAWING IS A CONTROLLED DOCUMENT.		DWN DL DRUMMOND 265EP2001	<b>AMP</b> AMP Incorporated Harrisburg, PA 17105-3608
DIMENSIONS: mm [INCHES]		CHK DL DRUMMOND 265EP2001	
TOLERANCES UNLESS OTHERWISE SPECIFIED:		APVD EW BEILES 285EP2001	NAME RETAINER RECEPTACLE, ACTION PIN, CHAMP-LOK
0 PLC ±-		PRODUCT SPEC -	
1 PLC ±-		APPLICATION SPEC -	SIZE A2
2 PLC ±-		WEIGHT -	CAGE CODE 00779
3 PLC ±-		CUSTOMER DRAWING	DRAWING NO C-553441
4 PLC ±-		SCALE 4:1	SHEET 1 OF 1
ANGLES ±-		RESTRICTED TO -	REV A
FINISH -			

553441