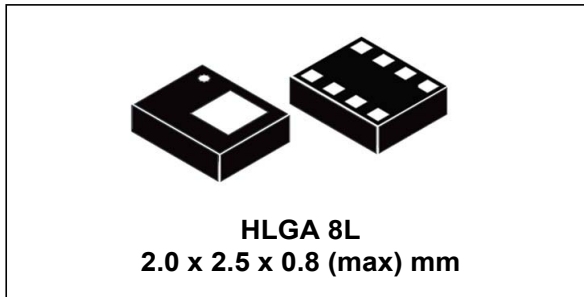


MEMS pressure sensor: 26 - 126 kPa absolute digital output barometer

Datasheet - production data



Features

- 26 to 126 kPa absolute pressure range
- High-resolution mode: 1 Pa RMS
- Low-power mode: 3.5 Pa RMS
- Current consumption down to 4 μ A
- High overpressure capability: 20x full scale
- Embedded temperature compensation
- Embedded 24-bit ADC
- ODR from 1 Hz to 75 Hz
- SPI and I²C interfaces
- Embedded FIFO
- Interrupt functions: Data Ready, FIFO flags, pressure thresholds
- Supply voltage: 1.7 to 3.6 V
- Small and thin package
- ECOPACK[®] lead-free compliant

Applications

- Altimeters and barometers for portable devices
- GPS applications
- Weather station equipment
- Sport watches

Description

The LPS225HB is an ultra-compact piezoresistive absolute pressure sensor. It includes a monolithic sensing element and an IC interface which communicates a digital signal from the sensing element to the application.

The sensing element, which detects absolute pressure, consists of a suspended membrane inside a single mono-silicon substrate and is manufactured using a dedicated process developed by ST.

The membrane is very small compared to the traditionally built silicon micromachined membranes. Membrane breakage is prevented by an intrinsic mechanical stopper.

The IC interface is manufactured using a standard CMOS process that allows a high level of integration to design a dedicated circuit which is trimmed to better match the characteristics of the sensing element.

The LPS225HB is available in a full-mold, holed LGA package (HLGA). It is guaranteed to operate over a temperature range extending from -40 °C to +85 °C. The package is holed to allow external pressure to reach the sensing element.

Table 1. Device summary

Order code	Temperature range [°C]	Package	Packing
LPS225HBTR	-40 to +85°C	HLGA-8L	Tape and reel

Contents

- 1 Block diagram and pin description 6**

- 2 Mechanical and electrical specifications 8**
 - 2.1 Mechanical characteristics 8
 - 2.2 Electrical characteristics 9
 - 2.3 Communication interface characteristics 10
 - 2.3.1 SPI - serial peripheral interface 10
 - 2.3.2 I²C - inter-IC control interface 11
 - 2.4 Absolute maximum ratings 12

- 3 Functionality 13**
 - 3.1 Sensing element 13
 - 3.2 I²C interface 13
 - 3.3 Factory calibration 13

- 4 FIFO 14**
 - 4.1 Bypass mode 14
 - 4.2 FIFO mode 15
 - 4.3 Stream mode 16
 - 4.4 Dynamic-Stream mode 17
 - 4.5 Stream-to-FIFO mode 18
 - 4.6 Bypass-to-Stream mode 19
 - 4.7 Bypass-to-FIFO mode 20
 - 4.8 Retrieving data from FIFO 20

- 5 Application hints 21**
 - 5.1 Soldering information 21

- 6 Digital interfaces 22**
 - 6.1 I²C serial interface 22
 - 6.2 I²C serial interface (CS = High) 22
 - 6.2.1 I²C operation 23
 - 6.3 SPI bus interface 25

6.3.1	SPI read	26
6.3.2	SPI write	27
6.3.3	SPI read in 3-wire mode	28
7	Register mapping	29
8	Register description	31
8.1	INTERRUPT_CFG (0Bh)	31
8.2	THS_P_L (0Ch)	32
8.3	THS_P_H (0Dh)	32
8.4	WHO_AM_I (0Fh)	33
8.5	CTRL_REG1 (10h)	33
8.6	CTRL_REG2 (11h)	35
8.7	CTRL_REG3 (12h)	37
8.8	FIFO_CTRL (14h)	38
8.9	REF_P_XL (15h)	39
8.10	REF_P_L (16h)	39
8.11	REF_P_H (17h)	39
8.12	RPDS_L (18h)	40
8.13	RPDS_H (19h)	40
8.14	RES_CONF (1Ah)	40
8.15	INT_SOURCE (25h)	41
8.16	FIFO_STATUS (26h)	41
8.17	STATUS (27h)	42
8.18	PRESS_OUT_XL (28h)	43
8.19	PRESS_OUT_L (29h)	43
8.20	PRESS_OUT_H (2Ah)	44
8.21	TEMP_OUT_L (2Bh)	44
8.22	TEMP_OUT_H (2Ch)	44
9	Package information	45
9.1	HLGA-8L package information	45
10	Revision history	46

List of tables

Table 1.	Device summary	1
Table 2.	Pin description	7
Table 3.	Pressure and temperature sensor characteristics	8
Table 4.	Electrical characteristics	9
Table 5.	SPI slave timing values	10
Table 6.	I ² C slave timing values	11
Table 7.	Absolute maximum ratings	12
Table 8.	Serial interface pin description	22
Table 9.	I ² C terminology	22
Table 10.	SAD+Read/Write patterns	23
Table 11.	Transfer when master is writing one byte to slave	23
Table 12.	Transfer when master is writing multiple bytes to slave	24
Table 13.	Transfer when master is receiving (reading) one byte of data from slave	24
Table 14.	Transfer when master is receiving (reading) multiple bytes of data from slave	24
Table 15.	Registers address map	29
Table 16.	Output data rate bit configurations	34
Table 17.	Low-pass filter configurations	34
Table 18.	Register default values	36
Table 19.	Interrupt configurations	37
Table 20.	FIFO mode selection.	38
Table 21.	FIFO_STATUS example: OVR/FSS details	42
Table 22.	Document revision history.	46

List of figures

Figure 1.	Block diagram	6
Figure 2.	Pin connections	7
Figure 3.	SPI slave timing diagram	10
Figure 4.	I ² C slave timing diagram.	11
Figure 5.	Bypass mode	14
Figure 6.	FIFO mode	15
Figure 7.	Stream mode	16
Figure 8.	Dynamic-Stream mode	17
Figure 9.	Stream-to-FIFO mode.	18
Figure 10.	Bypass-to-Stream mode	19
Figure 11.	Bypass-to-FIFO mode.	20
Figure 12.	LPS225HB electrical connections.	21
Figure 13.	Read and write protocol	25
Figure 14.	SPI read protocol	26
Figure 15.	Multiple byte SPI read protocol (2-byte example).	26
Figure 16.	SPI write protocol	27
Figure 17.	Multiple byte SPI write protocol (2-byte example).	27
Figure 18.	SPI read protocol in 3-wire mode	28
Figure 19.	HLGA - 8L (2.0 x 2.5 x 0.8) package outline and mechanical data.	45

1 Block diagram and pin description

Figure 1. Block diagram

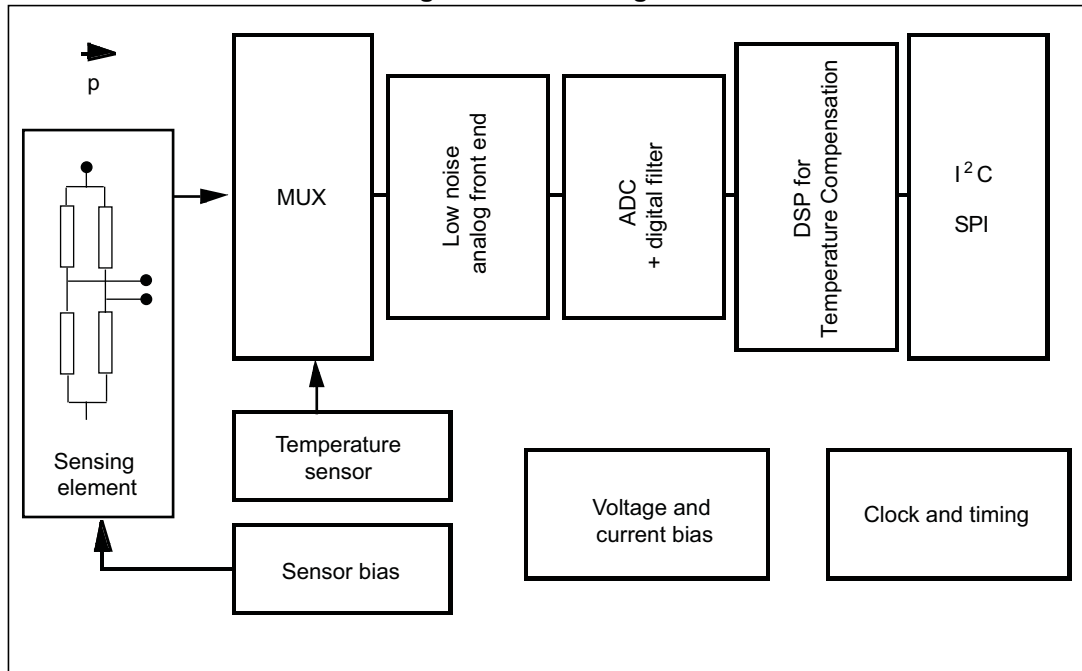


Figure 2. Pin connections

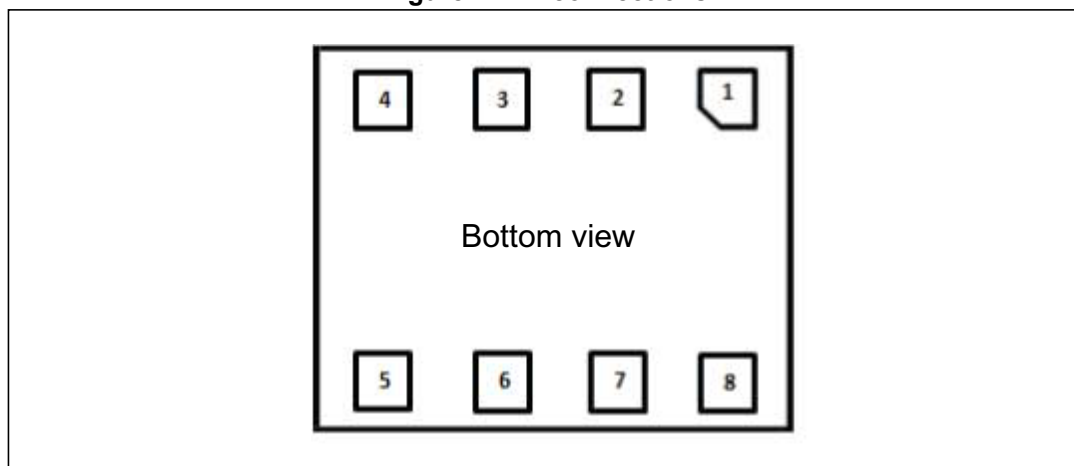


Table 2. Pin description

Pin number	Name	Function
1	GND	0 V supply
2	CS	SPI enable I ² C/SPI mode selection (1: SPI idle mode / I ² C communication enabled; 0: SPI communication mode / I ² C disabled)
3	SDA SDI SDI/SDO	I ² C serial data (SDA) 4-wire SPI serial data input (SDI) 3-wire serial data input/output (SDI/SDO)
4	SCL SPC	I ² C serial clock (SCL) SPI serial port clock (SPC)
5	SDO SA0	4-wire SPI serial data output (SDO) I ² C less significant bit of the device address (SA0)
6	VDD_IO	Power supply for I/O pins
7	INT_DRDY	Interrupt or Data Ready
8	VDD	Power supply

2 Mechanical and electrical specifications

2.1 Mechanical characteristics

VDD = 1.8 V, T = 25 °C, unless otherwise noted.

Table 3. Pressure and temperature sensor characteristics

Symbol	Parameter	Test condition	Min.	Typ. ⁽¹⁾	Max.	Unit
Pressure sensor characteristics						
P _{T_{op}}	Operating temperature range		-40		+85	°C
P _{T_{full}}	Full accuracy temperature range		0		+65	°C
P _{op}	Operating pressure range		260		1260	hPa
P _{bits}	Pressure output data			24		bits
P _{sens}	Pressure sensitivity			4096		LSB/ hPa
P _{AccRel}	Relative accuracy over pressure ⁽²⁾	P = 800 - 1100 hPa T = 25 °C		±0.1		hPa
P _{AccT}	Absolute accuracy over temperature	P _{op} T = 0 to 65 °C After OPC ⁽³⁾		±0.1		hPa
		P _{op} T = 0 to 65 °C no OPC ⁽³⁾		±1		
P _{noise}	RMS pressure sensing noise ⁽⁴⁾	with embedded filtering		0.0075		hPa RMS
ODR _{Pres}	Pressure output data rate ⁽⁵⁾			1		Hz
				10		
				25		
				50		
				75		
Temperature sensor characteristics						
T _{op}	Operating temperature range		-40		+85	°C
T _{sens}	Temperature sensitivity			100		LSB/°C
T _{acc}	Temperature absolute accuracy	T = 0 to 65 °C		±1.5		°C
ODR _T	Output temperature data rate ⁽⁵⁾			1		Hz
				10		
				25		
				50		
				75		

1. Typical specifications are not guaranteed.

2. Parameter not tested at final test

3. OPC: One-Point Calibration, see [RPDS_L \(18h\)](#), [RPDS_H \(19h\)](#).

4. Pressure noise RMS evaluated in a controlled environment, based on the average standard deviation of 50 measurements at highest ODR and with LC_EN bit = 0, EN_LPF = 1, LPFP_CFG = 1.

5. Output data rate is configured acting on ODR[2:0] in [CTRL_REG1 \(10h\)](#).

2.2 Electrical characteristics

VDD = 1.8 V, T = 25 °C, unless otherwise noted.

Table 4. Electrical characteristics

Symbol	Parameter	Test condition	Min.	Typ. ⁽¹⁾	Max.	Unit
VDD	Supply voltage		1.7		3.6	V
VDD_IO	IO supply voltage		1.7		VDD+0.1	V
I _{dd}	Supply current	@ ODR 1Hz		15		μA
I _{ddPdn}	Supply current in power-down mode			1		μA

1. Typical specifications are not guaranteed.

2.3 Communication interface characteristics

2.3.1 SPI - serial peripheral interface

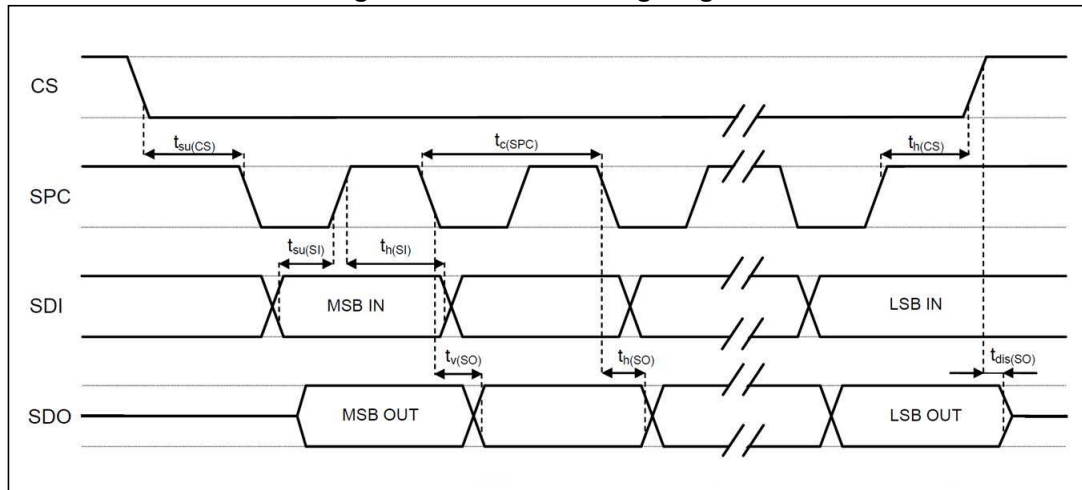
Subject to general operating conditions for V_{DD} and T_{OP}.

Table 5. SPI slave timing values

Symbol	Parameter	Value ⁽¹⁾		Unit
		Min	Max	
t _c (SPC)	SPI clock cycle	100		ns
f _c (SPC)	SPI clock frequency		10	MHz
t _{su} (CS)	CS setup time	6		ns
t _h (CS)	CS hold time	8		
t _{su} (SI)	SDI input setup time	5		
t _h (SI)	SDI input hold time	15		
t _v (SO)	SDO valid output time		50	
t _h (SO)	SDO output hold time	9		
t _{dis} (SO)	SDO output disable time		50	

1. Values are guaranteed at 10 MHz clock frequency for SPI with both 4 and 3 wires, based on characterization results, not tested in production.

Figure 3. SPI slave timing diagram



Note: Measurement points are done at 0.2·V_{DD_IO} and 0.8·V_{DD_IO}, for both ports.

2.3.2 I²C - inter-IC control interface

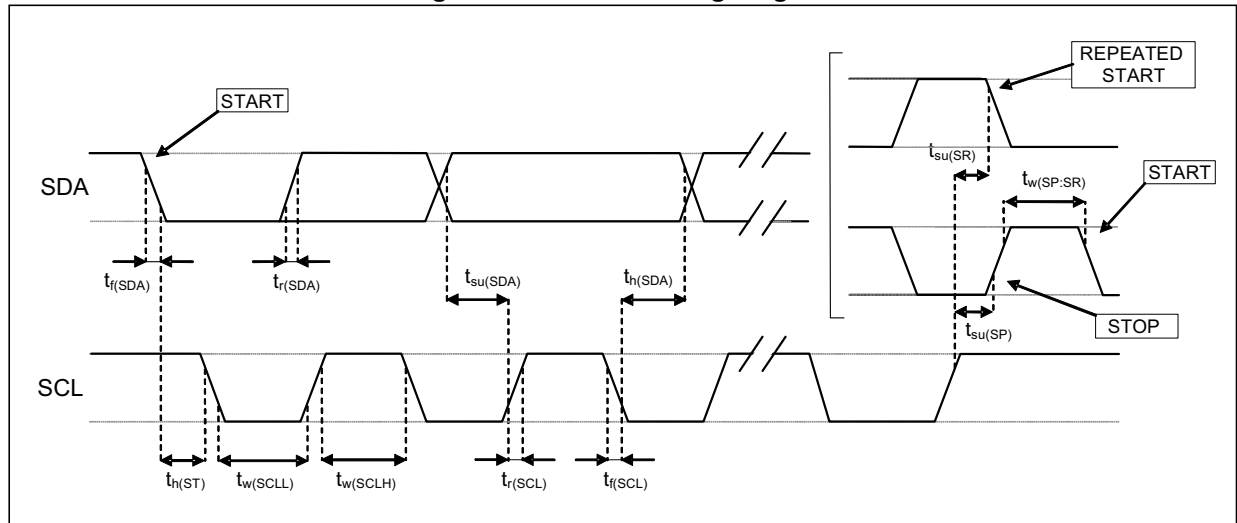
Subject to general operating conditions for V_{DD} and T_{OP}

Table 6. I²C slave timing values

Symbol	Parameter (1)	I ² C standard mode ⁽¹⁾		I ² C fast mode ⁽¹⁾		Unit
		Min	Max	Min	Max	
f _(SCL)	SCL clock frequency	0	100	0	400	kHz
t _{w(SCLL)}	SCL clock low time	4.7		1.3		μs
t _{w(SCLH)}	SCL clock high time	4.0		0.6		
t _{su(SDA)}	SDA setup time	250		100		ns
t _{h(SDA)}	SDA data hold time	0.01	3.45	0	0.9	μs
t _{r(SDA)} t _{r(SCL)}	SDA and SCL rise time		1000	20 + 0.1C _b ⁽²⁾	300	ns
t _{f(SDA)} t _{f(SCL)}	SDA and SCL fall time		300	20 + 0.1C _b ⁽²⁾	300	
t _{h(ST)}	START condition hold time	4		0.6		μs
t _{su(SR)}	Repeated START condition setup time	4.7		0.6		
t _{su(SP)}	STOP condition setup time	4		0.6		
t _{w(SP:SR)}	Bus free time between STOP and START condition	4.7		1.3		

1. Data based on standard I²C protocol requirement, not tested in production.
2. C_b = total capacitance of one bus line, in pF.

Figure 4. I²C slave timing diagram



Note: Measurement points are done at 0.2·V_{DD_IO} and 0.8·V_{DD_IO}, for both ports.

2.4 Absolute maximum ratings

Stress above those listed as “Absolute maximum ratings” may cause permanent damage to the device. This is a stress rating only and functional operation of the device under these conditions is not implied. Exposure to maximum rating conditions for extended periods may affect device reliability.

Table 7. Absolute maximum ratings

Symbol	Ratings	Maximum value	Unit
Vdd	Supply voltage	-0.3 to 4.8	V
Vdd_IO	I/O pins supply voltage	-0.3 to 4.8	V
Vin	Input voltage on any control pin	-0.3 to Vdd_IO +0.3	V
P	Overpressure	2	MPa
T _{STG}	Storage temperature range	-40 to +125	°C
ESD	Electrostatic discharge protection	2 (HBM)	kV

Note: Supply voltage on any pin should never exceed 4.8 V.



This device is sensitive to mechanical shock, improper handling can cause permanent damage to the part.



This device is sensitive to electrostatic discharge (ESD), improper handling can cause permanent damage to the part.

3 Functionality

The LPS225HB is a high-resolution, digital output pressure sensor packaged in an HLGGA full-mold package. The complete device includes a sensing element based on a piezoresistive Wheatstone bridge approach, and an IC interface which communicates a digital signal from the sensing element to the application.

3.1 Sensing element

An ST proprietary process is used to obtain a mono-silicon μ -sized membrane for MEMS pressure sensors without requiring substrate-to-substrate bonding. When pressure is applied, the membrane deflection induces an imbalance in the Wheatstone bridge piezoresistances whose output signal is converted by the IC interface.

3.2 I²C interface

The complete measurement chain is composed of a low-noise amplifier which converts the resistance unbalancing of the MEMS sensors (pressure and temperature) into an analog voltage using an analog-to-digital converter.

The pressure and temperature data may be accessed through an I²C/SPI interface, thus making the device particularly suitable for direct interfacing with a microcontroller.

The LPS225HB features a Data-Ready signal which indicates when a new set of measured pressure and temperature data are available, thus simplifying data synchronization in the digital system that uses the device.

3.3 Factory calibration

The IC interface is factory calibrated at three temperatures and two pressures for sensitivity and accuracy.

The trimming values are stored inside the device in a non-volatile structure. When the device is turned on, the trimming parameters are downloaded into the registers to be employed during normal operation which allows the device to be used without requiring any further calibration.

4 FIFO

The LPS225HB embeds 32 slots of 40-bit data FIFO to store the pressure and temperature output values. This allows consistent power saving for the system, since the host processor does not need to continuously poll data from the sensor, but it can wake up only when needed and burst the significant data out from the FIFO. This buffer can work according to seven different modes: Bypass mode, FIFO mode, Stream mode, Dynamic-Stream mode, Stream-to-FIFO mode, Bypass-to-Stream and Bypass-to-FIFO mode. The FIFO buffer is enabled when the FIFO_EN bit in *CTRL_REG2 (11h)* is set to '1' and each mode is selected by the FIFO_MODE[2:0] bits in *FIFO_CTRL (14h)*. Programmable FIFO threshold status, FIFO overrun events and the number of unread samples stored are available in the *FIFO_STATUS (26h)* register and can be set to generate dedicated interrupts on the INT_DRDY pad using the *CTRL_REG3 (12h)* register.

FIFO_STATUS (26h)(FTH_FIFO) goes to '1' when the number of unread samples (*FIFO_STATUS (26h)*(FSS5:0)) is greater than or equal to WTM[4:0] in *FIFO_CTRL (14h)*. If *FIFO_CTRL (14h)*(WTM4:0) is equal to 0, *FIFO_STATUS (26h)*(FTH_FIFO) goes to '0'.

FIFO_STATUS (26h)(OVRN) is equal to '1' if a FIFO slot is overwritten.

FIFO_STATUS (26h)(FSS5:0) contains stored data levels of unread samples; when FSS[5:0] is equal to '000000', FIFO is empty, when FSS[5:0] is equal to '100000', FIFO is full and the unread samples are 32.

To guarantee the switching into and out of FIFO mode, discard the first sample acquired.

4.1 Bypass mode

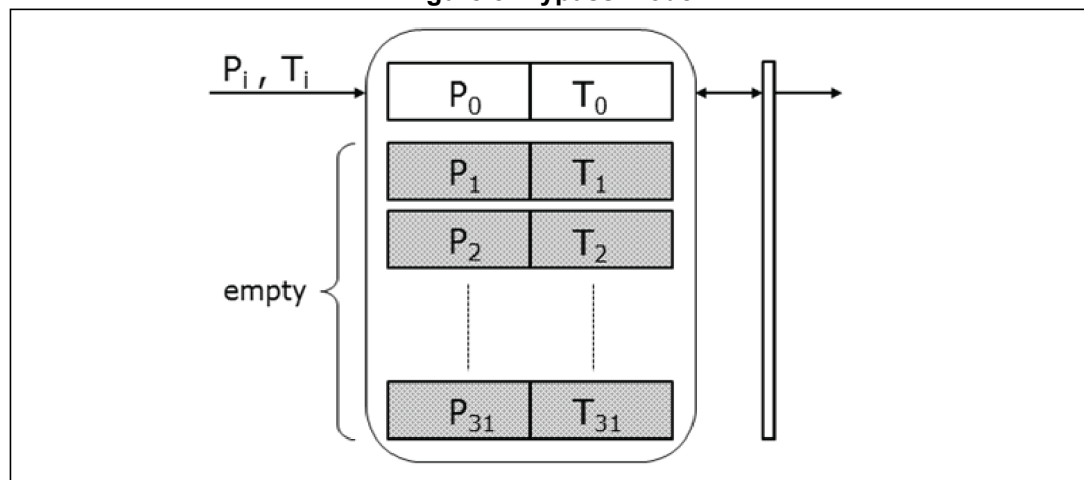
In Bypass mode (*FIFO_CTRL (14h)*(FMODE2:0)=000), the FIFO is not operational and it remains empty.

Bypass mode is also used to reset the FIFO when in FIFO mode.

As described in the next figure, for each channel only the first address is used. When new data is available, the older data is overwritten.

Every time Bypass mode is selected, FIFO content is flushed.

Figure 5. Bypass mode



4.2 FIFO mode

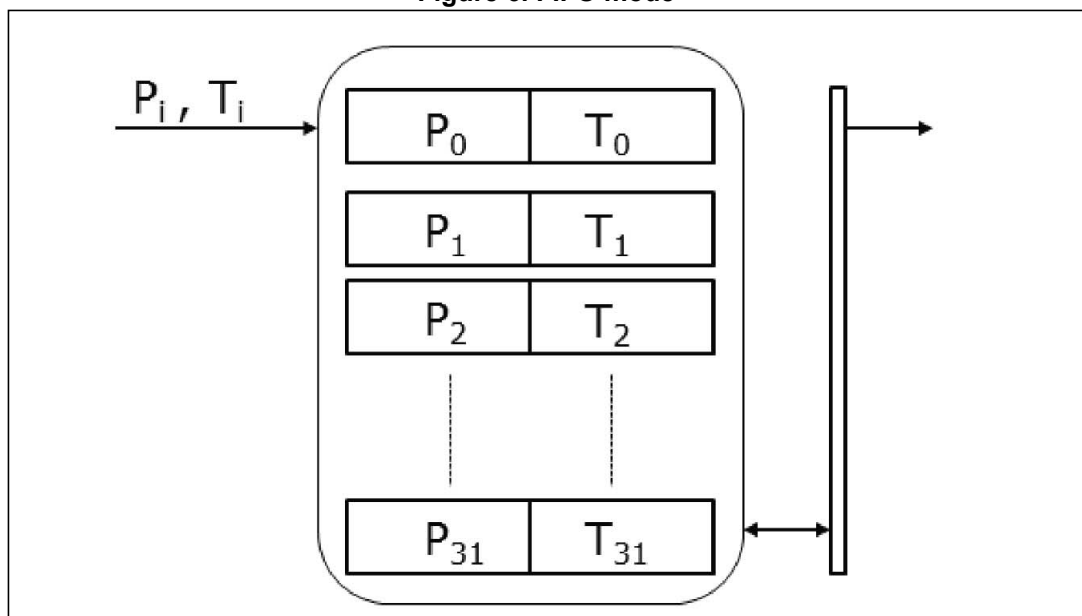
In FIFO mode (*FIFO_CTRL* (14h)(FMODE2:0) = 001) data from the output *PRESS_OUT_XL* (28h), *PRESS_OUT_L* (29h), *PRESS_OUT_H* (2Ah) and *TEMP_OUT_L* (2Bh), *TEMP_OUT_H* (2Ch) are stored in the FIFO until it is overwritten.

To reset FIFO content, in Bypass mode the value '000' must be written in *FIFO_CTRL* (14h)(FMODE2:0). After this reset command, it is possible to restart FIFO mode writing the value '001' in *FIFO_CTRL* (14h)(FMODE2:0).

The FIFO buffer memorizes 32 levels of data but the depth of the FIFO can be resized by setting the *CTRL_REG2* (11h)(STOP_ON_FTH) bit. If the STOP_ON_FTH bit is set to '1', FIFO depth is limited to *FIFO_CTRL* (14h)(WTM4:0) + 1 data.

A FIFO threshold interrupt can be enabled (F_OVR bit in *CTRL_REG3* (12h) in order to be raised when the FIFO is filled to the level specified by the WTM4:0 bits of *FIFO_CTRL* (14h). When a FIFO threshold interrupt occurs, the first data has been overwritten and the FIFO stops collecting data from the input pressure and temperature.

Figure 6. FIFO mode



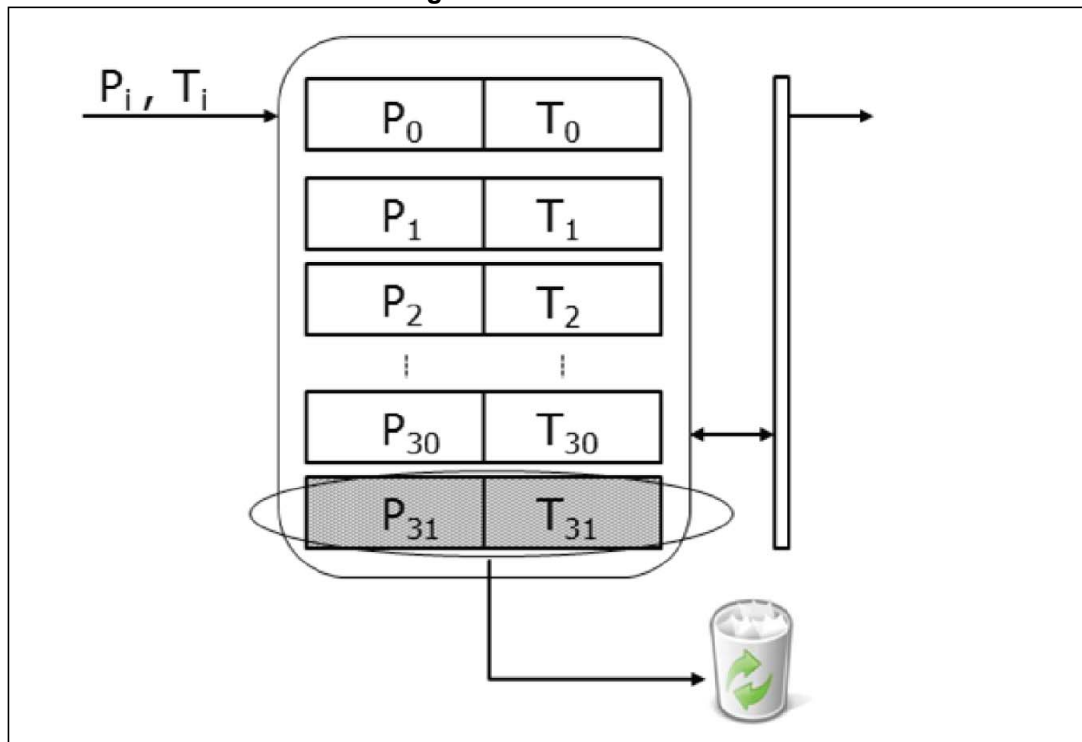
4.3 Stream mode

Stream mode (*FIFO_CTRL* (14h)(FMODE2:0) = 010) provides continuous FIFO update: as new data arrive, the older is discarded.

Once the entire FIFO has been read, the last data read remains in the FIFO and hence once a new sample is acquired, the *FIFO_STATUS* (26h)(FSS5:0) value rises from 0 to 2.

An overrun interrupt can be enabled, *CTRL_REG3* (12h)(F_OVR) = '1', in order to inform when the FIFO is full and eventually read its content all at once. If an overrun occurs, the oldest sample in FIFO is overwritten, so if the FIFO was empty, the lost sample has already been read.

Figure 7. Stream mode



In the latter case reading all FIFO content before an overrun interrupt has occurred, the first data read is equal to the last already read in the previous burst, so the number of new data available in FIFO depends on the previous reading.

4.4 Dynamic-Stream mode

In Dynamic-Stream mode (*FIFO_CTRL (14h)*(FMODE2:0) = 110) after emptying the FIFO, the first new sample that arrives becomes the first to be read in a subsequent read burst. In this way, the number of new data available in FIFO does not depend on the previous reading.

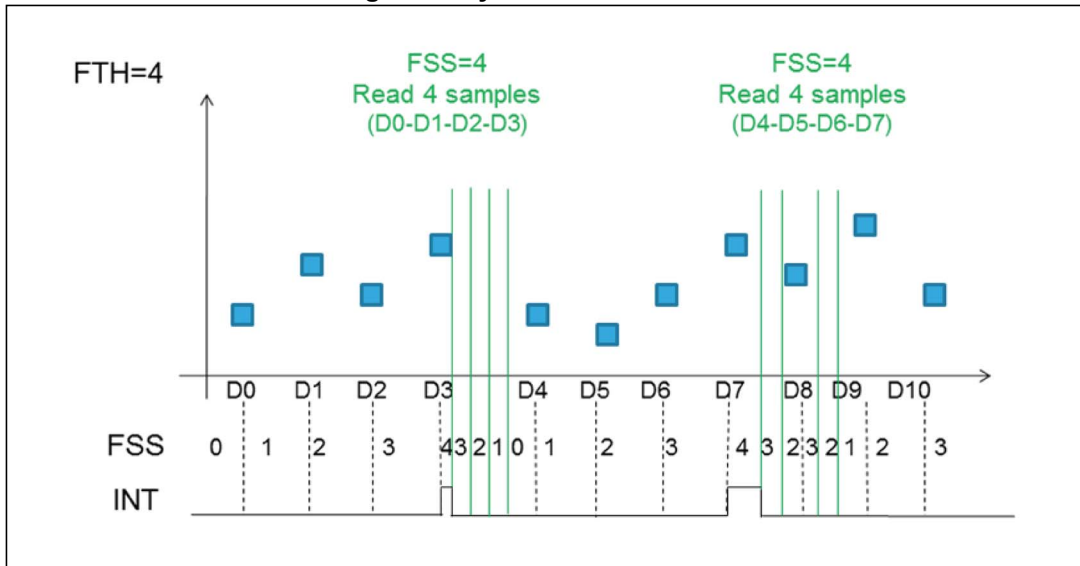
In Dynamic-Stream mode *FIFO_STATUS (26h)*(FSS5:0) is the number of new pressure and temperature samples available in the FIFO buffer.

Stream Mode is intended to be used to read all 32 samples of FIFO within an ODR after receiving an overrun signal.

Dynamic-Stream is intended to be used to read *FIFO_STATUS (26h)*(FSS5:0) samples when it is not possible to guarantee reading data within an ODR.

Also, a FIFO threshold interrupt on the INT_DRDY pad through *CTRL_REG3 (12h)*(F_FTH) can be enabled in order to read data from the FIFO and leave free memory slots for incoming data.

Figure 8. Dynamic-Stream mode



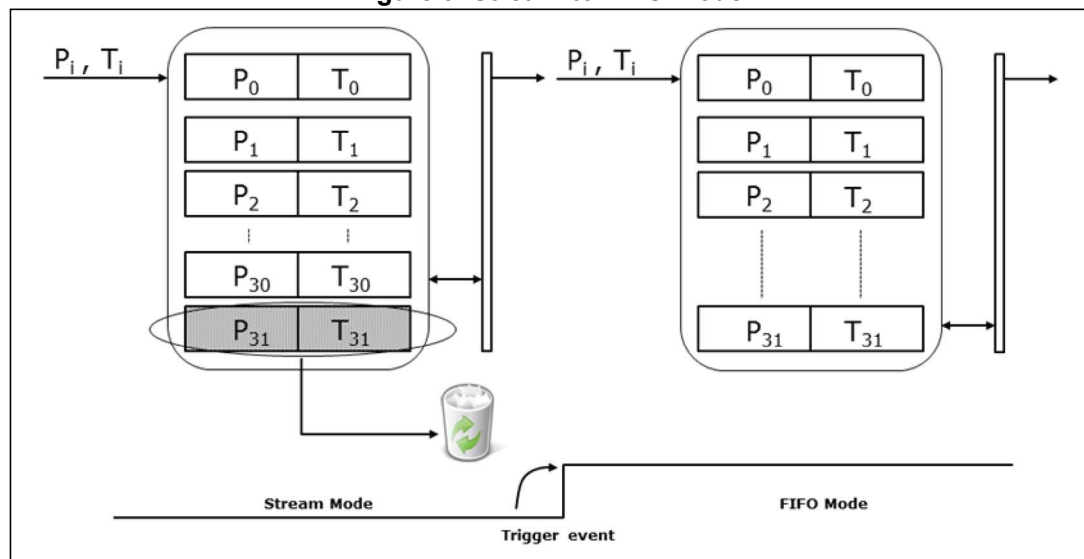
4.5 Stream-to-FIFO mode

In Stream-to-FIFO mode (*FIFO_CTRL (14h)*(FMODE2:0) = 011), FIFO behavior changes according to the INT_SOURCE(IA) bit. When the INT_SOURCE(IA) bit is equal to '1', FIFO operates in FIFO mode. When the INT_SOURCE(IA) bit is equal to '0', FIFO operates in Stream mode.

An interrupt generator can be set to the desired configuration through *INTERRUPT_CFG (0Bh)*.

The *INTERRUPT_CFG (0Bh)*(LIR) bit should be set to '1' in order to have latched interrupt.

Figure 9. Stream-to-FIFO mode



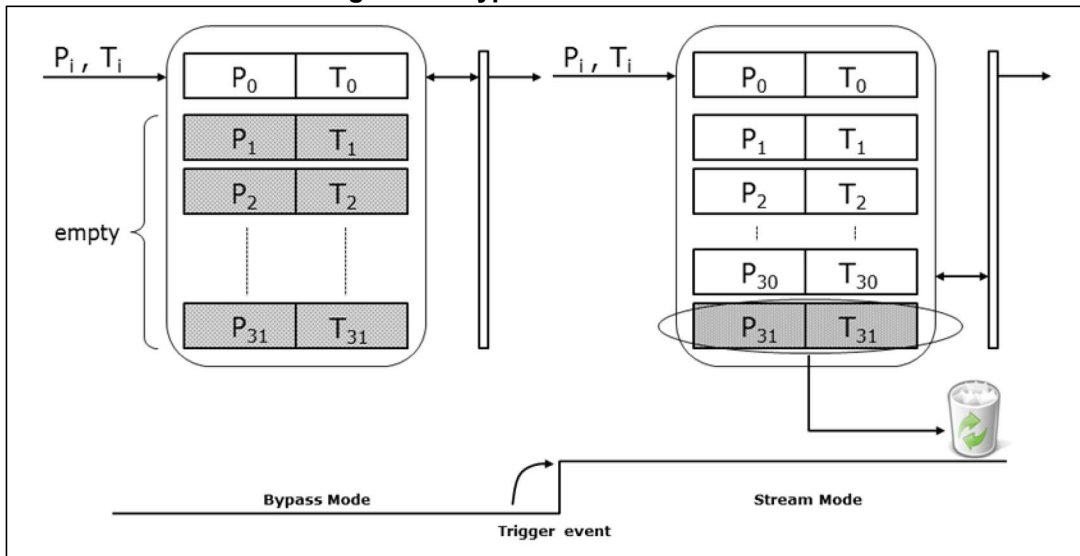
4.6 Bypass-to-Stream mode

In Bypass-to-Stream mode (*FIFO_CTRL (14h)*(FMODE2:0) = '100'), data measurement storage inside FIFO operates in Stream mode when INT_SOURCE(IA) is equal to '1', otherwise FIFO content is reset (Bypass mode).

An interrupt generator can be set to the desired configuration through *INTERRUPT_CFG (0Bh)*.

The *INTERRUPT_CFG (0Bh)*(LIR) bit should be set to '1' in order to have latched interrupt.

Figure 10. Bypass-to-Stream mode



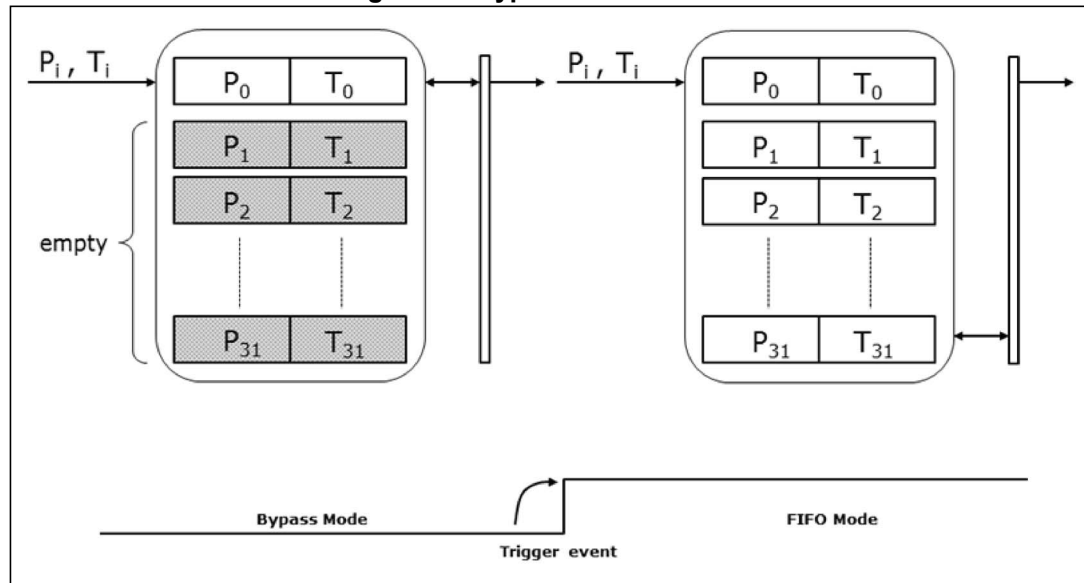
4.7 Bypass-to-FIFO mode

In Bypass-to-FIFO mode (*FIFO_CTRL (14h)*(FMODE2:0) = '111'), data measurement storage inside FIFO operates in FIFO mode when INT_SOURCE(IA) is equal to '1', otherwise FIFO content is reset (Bypass mode).

An interrupt generator can be set to the desired configuration through *INTERRUPT_CFG (0Bh)*.

The *INTERRUPT_CFG (0Bh)*(LIR) bit should be set to '1' in order to have latched interrupt.

Figure 11. Bypass-to-FIFO mode



4.8 Retrieving data from FIFO

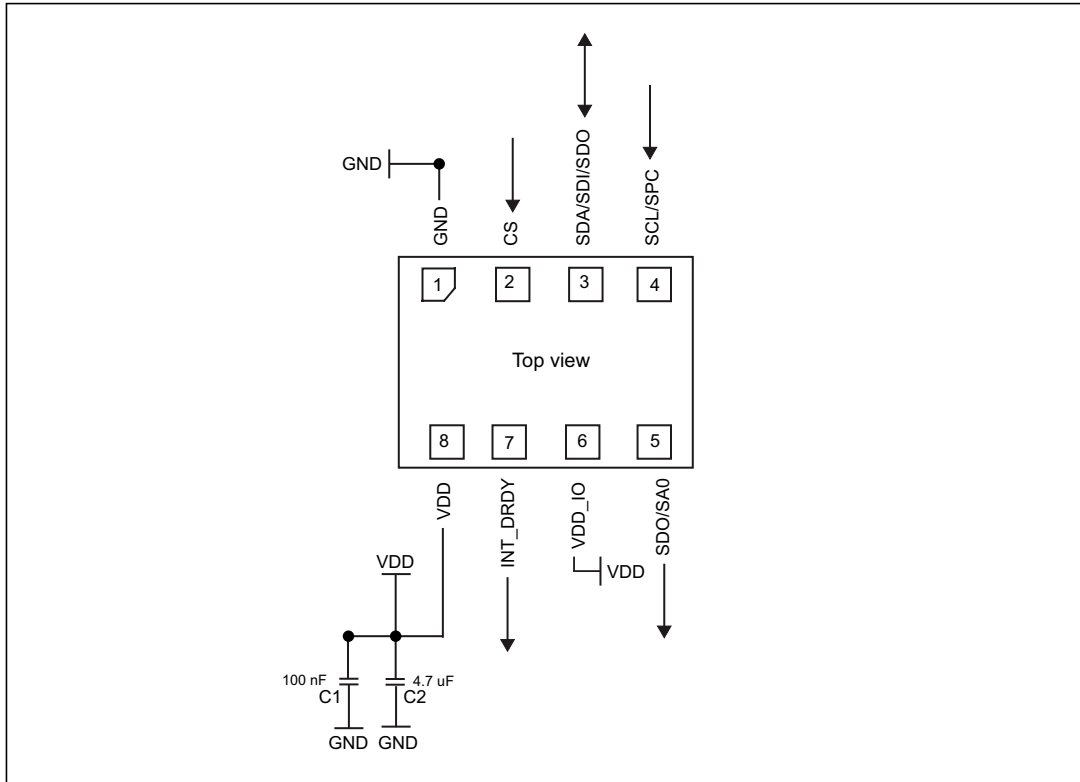
FIFO data is read from PRESS_OUT (Addr. reg 28h, 29h, 2Ah) and TEMP_OUT (Addr. reg 2Bh, 2Ch).

Each time data is read from the FIFO, the oldest data are placed in the *PRESS_OUT_XL (28h)*, *PRESS_OUT_L (29h)*, *PRESS_OUT_H (2Ah)*, *TEMP_OUT_L (2Bh)* and *TEMP_OUT_H (2Ch)* registers and both single-read and read-burst operations can be used.

The device automatically updates the reading address and it rolls back to 28h when register 2Ch is reached. In order to read all FIFO levels in multiple byte reading, 160 bytes (5 output registers by 32 levels) must be read.

5 Application hints

Figure 12. LPS225HB electrical connections



The device core is supplied through the VDD line. Power supply decoupling capacitors (100 nF, 4.7 μ F) should be placed as near as possible to the supply pad of the device (common design practice).

The functionality of the device and the measured data outputs are selectable and accessible through the I²C/SPI interface. When using the I²C, CS must be tied high (i.e. connected to VDD_IO).

5.1 Soldering information

The HLGA package is compliant with the ECOPACK[®] standard and it is qualified for soldering heat resistance according to JEDEC J-STD-020.

6 Digital interfaces

6.1 I²C serial interface

The registers embedded in the LPS225HB may be accessed through both the I²C and SPI serial interfaces. The latter may be SW configured to operate either in 3-wire or 4-wire interface mode.

The serial interfaces are mapped onto the same pads. To select/exploit the I²C interface, the CS line must be tied high (i.e. connected to Vdd_IO).

Table 8. Serial interface pin description

Pin name	Pin description
CS	SPI enable I ² C/SPI mode selection (1: SPI idle mode / I ² C communication enabled; 0: SPI communication mode / I ² C disabled)
SCL/SPC	I ² C serial clock (SCL) SPI serial port clock (SPC)
SDA SDI SDI/SDO	I ² C serial data (SDA) 4-wire SPI serial data input (SDI) 3-wire serial data input /output (SDI/SDO)
SDO SAO	SPI serial data output (SDO) I ² C less significant bit of the device address (SA0)

6.2 I²C serial interface (CS = High)

The LPS225HB I²C is a bus slave. The I²C is employed to write data into registers whose content can also be read back.

The relevant I²C terminology is given in [Table 9](#).

Table 9. I²C terminology

Term	Description
Transmitter	The device which sends data to the bus
Receiver	The device which receives data from the bus
Master	The device which initiates a transfer, generates clock signals and terminates a transfer
Slave	The device addressed by the master

There are two signals associated with the I²C bus: the serial clock line (SCL) and the serial data line (SDA). The latter is a bidirectional line used for sending and receiving the data to/from the interface. Both lines have to be connected to Vdd_IO through pull-up resistors.

The I²C interface is compliant with fast mode (400 kHz) I²C standards as well as with the normal mode.

6.2.1 I²C operation

The transaction on the bus is started through a START (ST) signal. A start condition is defined as a HIGH-to-LOW transition on the data line while the SCL line is held HIGH. After this has been transmitted by the master, the bus is considered busy. The next data byte transmitted after the start condition contains the address of the slave in the first 7 bits and the eighth bit tells whether the master is receiving data from the slave or transmitting data to the slave. When an address is sent, each device in the system compares the first seven bits after a start condition with its address. If they match, the device considers itself addressed by the master.

The slave address (SAD) associated to the LPS225HB is 101110xb. The **SDO/SA0** pad can be used to modify the less significant bit of the device address. If the SA0 pad is connected to voltage supply, LSb is '1' (address 1011101b), otherwise if the SA0 pad is connected to ground, the LSb value is '0' (address 1011100b). This solution permits to connect and address two different LPS225HB devices to the same I²C lines.

Data transfer with acknowledge is mandatory. The transmitter must release the SDA line during the acknowledge pulse. The receiver must then pull the data line LOW so that it remains stable low during the HIGH period of the acknowledge clock pulse. A receiver which has been addressed is obliged to generate an acknowledge after each byte of data received.

The I²C embedded in the LPS225HB behaves like a slave device and the following protocol must be adhered to. After the start condition (ST) a slave address is sent, once a slave acknowledge (SAK) has been returned, an 8-bit sub-address (SUB) will be transmitted: the 7 LSB represents the actual register address while the MSB enables address auto increment. If the MSb of the SUB field is '1', the SUB (register address) will be automatically increased to allow multiple data read/write.

The slave address is completed with a Read/Write bit. If the bit is '1' (Read), a repeated START (SR) condition must be issued after the two sub-address bytes; if the bit is '0' (Write) the master will transmit to the slave with direction unchanged. [Table 10](#) explains how the SAD+read/write bit pattern is composed, listing all the possible configurations.

Table 10. SAD+Read/Write patterns

Command	SAD[6:1]	SAD[0] = SA0	R/W	SAD+R/W
Read	101110	0	1	10111001 (B9h)
Write	101110	0	0	10111000 (B8h)
Read	101110	1	1	10111011 (BBh)
Write	101110	1	0	10111010 (BAh)

Table 11. Transfer when master is writing one byte to slave

Master	ST	SAD + W		SUB		DATA		SP
Slave			SAK		SAK		SAK	

Table 12. Transfer when master is writing multiple bytes to slave

Master	ST	SAD + W		SUB		DATA		DATA		SP
Slave			SAK		SAK		SAK		SAK	

Table 13. Transfer when master is receiving (reading) one byte of data from slave

Master	ST	SAD + W		SUB		SR	SAD + R			NMAK	SP
Slave			SAK		SAK			SAK	DATA		

Table 14. Transfer when master is receiving (reading) multiple bytes of data from slave

Master	ST	SAD+W		SUB		SR	SAD+R			MAK		MAK		NMAK	SP
Slave			SAK		SAK			SAK	DATA		DATA		DATA		

Data are transmitted in byte format (DATA). Each data transfer contains 8 bits. The number of bytes transferred per transfer is unlimited. Data is transferred with the most significant bit (MSb) first. If a receiver can't receive another complete byte of data until it has performed some other functions, it can hold the clock line, SCL LOW to force the transmitter into a wait state. Data transfer only continues when the receiver is ready for another byte and releases the data line. If a slave receiver does not acknowledge the slave address (i.e. it is not able to receive because it is performing some real-time function) the data line must be kept HIGH by the slave. The master can then abort the transfer. A LOW-to-HIGH transition on the SDA line while the SCL line is HIGH is defined as a STOP condition. Each data transfer must be terminated by the generation of a STOP (SP) condition.

In order to read multiple bytes incrementing the register address, it is necessary to assert the most significant bit of the sub-address field. In other words, SUB(7) must be equal to 1 while SUB(6-0) represents the address of the first register to be read.

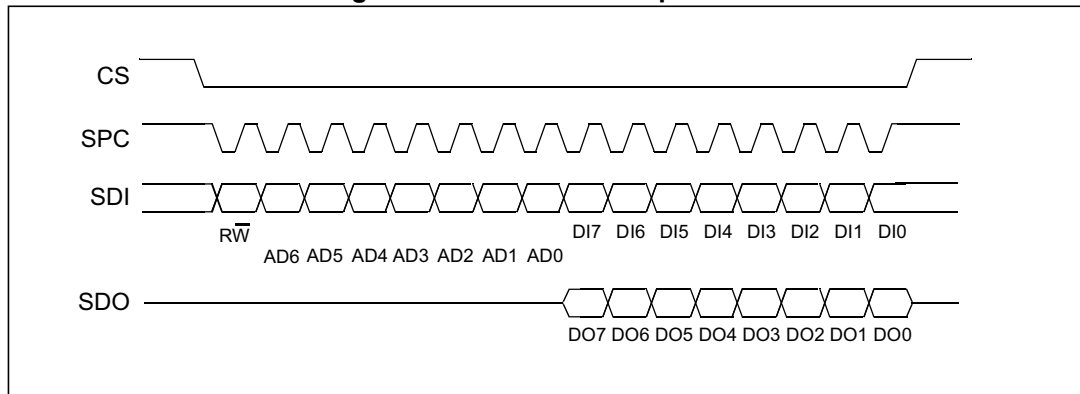
In the presented communication format MAK is Master acknowledge and NMAK is no master acknowledge.

6.3 SPI bus interface

The LPS225HB SPI is a bus slave. The SPI allows writing to and reading from the registers of the device.

The serial interface interacts with the application using 4 wires: **CS**, **SPC**, **SDI** and **SDO**.

Figure 13. Read and write protocol



CS is the serial port enable and it is controlled by the SPI master. It goes low at the start of the transmission and returns to high at the end. **SPC** is the serial port clock and it is controlled by the SPI master. It is stopped high when **CS** is high (no transmission). **SDI** and **SDO** are respectively the serial port data input and output. Those lines are driven at the falling edge of **SPC** and should be captured at the rising edge of **SPC**.

Both the read register and write register commands are completed in 16 clock pulses or in multiples of 8 in the case of multiple read/write bytes. Bit duration is the time between two falling edges of **SPC**. The first bit (bit 0) starts at the first falling edge of **SPC** after the falling edge of **CS** while the last bit (bit 15, bit 23,...) starts at the last falling edge of **SPC** just before the rising edge of **CS**.

bit 0: \overline{RW} bit. When 0, the data DI(7:0) is written into the device. When 1, the data DO(7:0) from the device is read. In the latter case, the chip will drive **SDO** at the start of bit 8.

bit 1-7: address AD(6:0). This is the address field of the indexed register.

bit 8-15: data DI(7:0) (write mode). This is the data that is written into the device (MSb first).

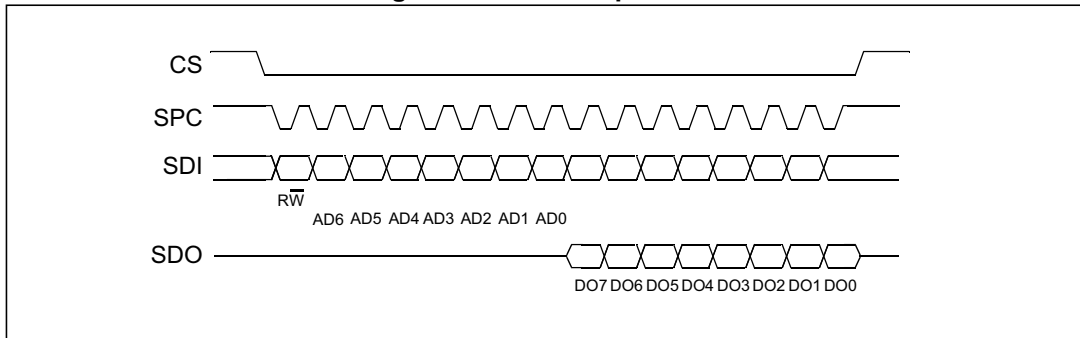
bit 8-15: data DO(7:0) (read mode). This is the data that is read from the device (MSb first).

In multiple read/write commands further blocks of 8 clock periods are added. When the IF_ADD_INC bit is 0 the address used to read/write data remains the same for every block. When the IF_ADD_INC bit is 1 the address used to read/write data is increased at every block.

The function and the behavior of **SDI** and **SDO** remain unchanged.

6.3.1 SPI read

Figure 14. SPI read protocol



The SPI read command is performed with 16 clock pulses. The multiple byte read command is performed by adding blocks of 8 clock pulses to the previous one.

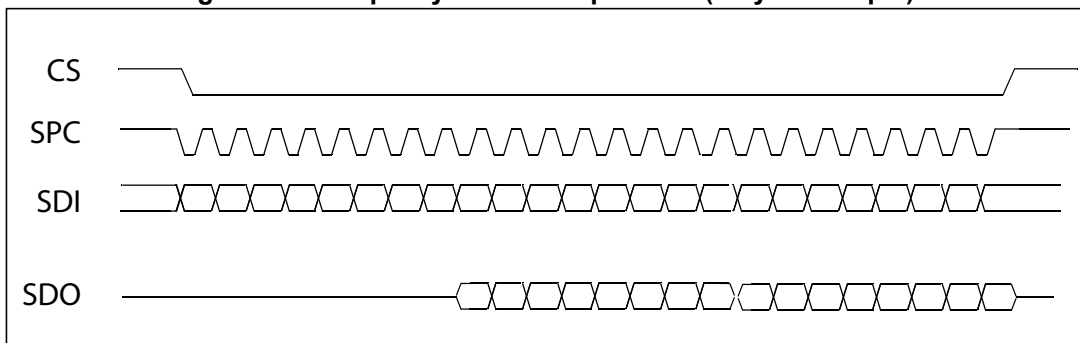
bit 0: READ bit. The value is 1.

bit 1-7: address AD(6:0). This is the address field of the indexed register.

bit 8-15: data DO(7:0) (read mode). This is the data that is read from the device (MSb first).

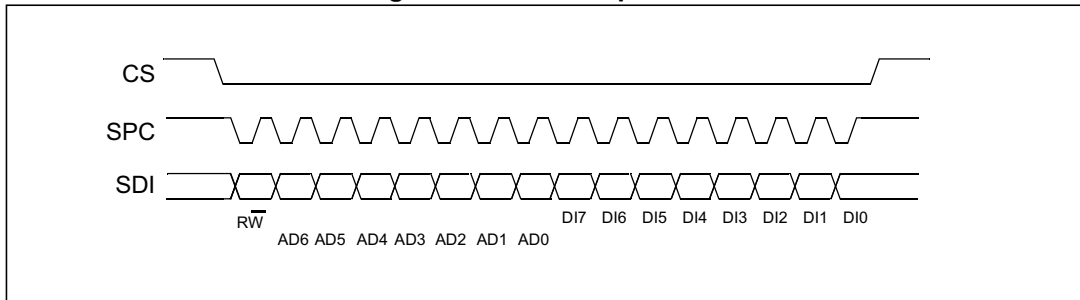
bit 16-...: data DO(...-8). Further data in multiple byte reads.

Figure 15. Multiple byte SPI read protocol (2-byte example)



6.3.2 SPI write

Figure 16. SPI write protocol



The SPI Write command is performed with 16 clock pulses. The multiple byte write command is performed by adding blocks of 8 clock pulses to the previous one.

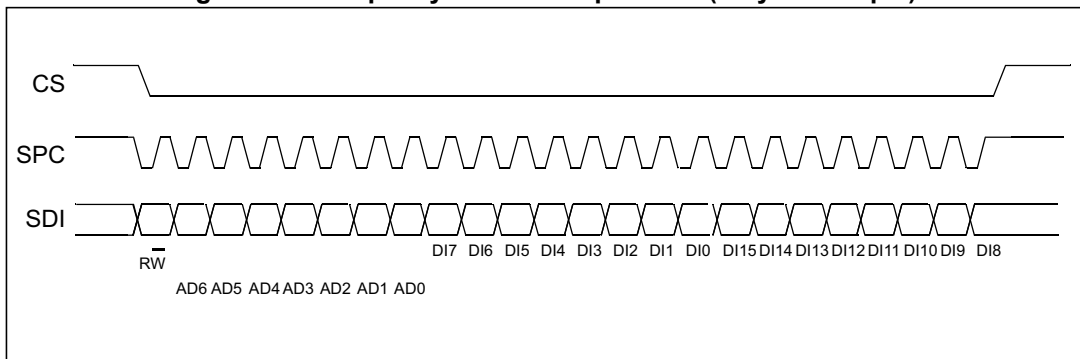
bit 0: WRITE bit. The value is 0.

bit 1-7: address AD(6:0). This is the address field of the indexed register.

bit 8-15: data DI(7:0) (write mode). This is the data that is written in the device (MSb first).

bit 16-...: data DI(...-8). Further data in multiple byte writes.

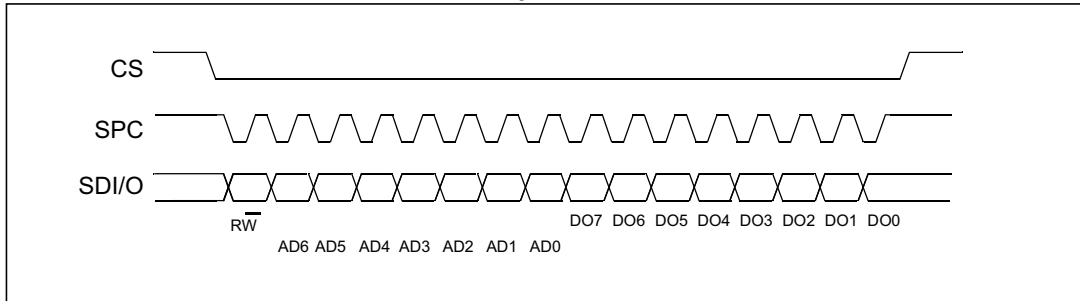
Figure 17. Multiple byte SPI write protocol (2-byte example)



6.3.3 SPI read in 3-wire mode

A 3-wire mode is entered by setting to '1' bit SIM (SPI serial interface mode selection) in CTRL_REG1.

Figure 18. SPI read protocol in 3-wire mode



The SPI read command is performed with 16 clock pulses:

bit 0: READ bit. The value is 1.

bit 1-7: address AD(6:0). This is the address field of the indexed register.

bit 8-15: data DO(7:0) (read mode). This is the data that is read from the device (MSb first). A multiple read command is also available in 3-wire mode.

7 Register mapping

Table 15 provides a quick overview of the 8-bit registers embedded in the device.

Table 15. Registers address map

Name	Type	Register Address	Default	Function and comment
		Hex	Binary	
Reserved		00 - 0A	-	Reserved
INTERRUPT_CFG	R/W	0B	00000000	
THS_P_L	R/W	0C	00000000	
THS_P_H	R/W	0D	00000000	
Reserved		0E	-	Reserved
WHO_AM_I	R	0F	10110001	Who am I
CTRL_REG1	R/W	10	00000000	
CTRL_REG2	R/W	11	00010000	
CTRL_REG3	R/W	12	00000000	Interrupt control
Reserved		13	-	Reserved
FIFO_CTRL	R/W	14	00000000	
REF_P_XL	R/W	15	00000000	
REF_P_L	R/W	16	00000000	
REF_P_H	R/W	17	00000000	
RPDS_L	R/W	18	00000000	
RPDS_H	R/W	19	00000000	
RES_CONF	R/W	1A	00000000	
Reserved		1B - 24	-	Reserved
INT_SOURCE	R	25	-	
FIFO_STATUS	R	26	-	
STATUS	R	27	-	
PRESS_OUT_XL	R	28	-	
PRESS_OUT_L	R	29	-	
PRESS_OUT_H	R	2A	-	
TEMP_OUT_L	R	2B	-	
TEMP_OUT_H	R	2C	-	

Registers marked as Reserved must not be changed. Writing to those registers may cause permanent damage to the device.

To guarantee the proper behavior of the device, all register addresses not listed in the above table must not be accessed and the content stored in those registers must not be changed.

The content of the registers that are loaded at boot should not be changed. They contain the factory calibration values. Their content is automatically restored when the device is powered up.

8 Register description

The device contains a set of registers which are used to control its behavior and to retrieve pressure and temperature data. The register address, made up of 7 bits, is used to identify them and to read/write the data through the serial interface.

8.1 INTERRUPT_CFG (0Bh)

Interrupt configuration

7	6	5	4	3	2	1	0
AUTORIFP	RESET_ARP	AUTOZERO	RESET_AZ	DIFF_EN	LIR	PLE	PHE

Address: 0Bh (R/W)

Reset: 00h

Description: Interrupt differential configuration register. See DIFF_EN bit in [CTRL_REG1 \(10h\)](#)

[7] AUTORIFP: Enable AutoRifP. Default value: 0

(0: normal mode; 1: AutoRifP enable);

[6] RESET_ARP: Reset AutoRifP function. Default value: 0

[5] AUTOZERO: Enable Autozero. Default value: 0

(0: normal mode; 1: Autozero enable)

[4] RESET_AZ: Reset Autozero function. Reset RIF_P reg. (address 15h, 16h, 17h), set pressure reference to default value RPDS reg (address 18h, 19h). Default value: 0

[3] DIFF_EN: Enable interrupt generation. Default value: 0

(0: interrupt generation disabled; 1: interrupt generation enabled)

[2] LIR: Latch interrupt request to the [INT_SOURCE \(25h\)](#) register. Default value: 0

(0: interrupt request not latched; 1: interrupt request latched)

[1] PLE: Enable interrupt generation on differential pressure low event.

Default value: 0

(0: disable interrupt request; 1: enable interrupt request on measured differential pressure value lower than preset threshold)

[0] PHE: Enable interrupt generation on differential pressure high event.

Default value: 0

(0: disable interrupt request; 1: enable interrupt request on measured differential pressure value higher than preset threshold)

AUTORIFP, when written to '1', an internal register is set with current pressure values and the bit is forced to '0'. From that point on the content of the internal register is subtracted from the pressure output value and result is used for the interrupt generation. The output registers ([PRESS_OUT_XL \(28h\)](#), [PRESS_OUT_L \(29h\)](#), [PRESS_OUT_H \(2Ah\)](#)) are updated with the actual pressure value.

The **RESET_ARP** bit is used to disable the AutoRifP function. RESET_ARP is self-cleared.

AUTOZERO, when set to '1', the actual pressure output value is copied in the REF_P registers. From that point on, the content of the Ref_P registers is subtracted from the pressure output value. To disable autozero, the REF_P registers have to be cleared.

The **RESET_AZ** bit is used to reset the AutoZero function. Resetting REF_P reg (15h, 16h, 17h) sets the pressure reference to the default value in the RPDS reg (18h, 19h). RESET_AZ is self-cleared.

The **DIFF_EN** bit is used to enable the computing of the differential pressure output. It is recommended to enable DIFF_EN after the configuration of REF_P_x and THS_P_x.

8.2 THS_P_L (0Ch)

Threshold pressure (LSB)

7	6	5	4	3	2	1	0
THS7	THS6	THS5	THS4	THS3	THS2	THS1	THS0

Address: 0Ch (R/W)

Reset: 00h

Description: This register contains the low part of threshold value for pressure interrupt generation. The complete threshold value is given by *THS_P_H (0Dh)* & *THS_P_L (0Ch)* and is expressed as an unsigned number. $P_ths \text{ (hPa)} = (THS_P)/16$.

[7:0] THS7-0: LSB threshold pressure.

8.3 THS_P_H (0Dh)

Threshold pressure (MSB)

15	14	13	12	11	10	9	8
THS15	THS14	THS13	THS12	THS11	THS10	THS9	THS8

Address: 0Dh (R/W)

Reset: 00h

Description: This register contains the high part of threshold value for pressure interrupt generation. (See description *THS_P_L (0Ch)*).

[15:8] THS15-8: MSB threshold pressure.

8.4 WHO_AM_I (0Fh)

Device Who am I

7	6	5	4	3	2	1	0
1	0	1	1	0	0	0	1

Address: 0Fh (R)

Description: Contains the device Who am I address (B1h).

8.5 CTRL_REG1 (10h)

Control register 1

7	6	5	4	3	2	1	0
0	ODR2	ODR1	ODR0	EN_LPFP	LPF_CFG	BDU	SIM

Address: 10h (R/W)

Reset: 00h

Description: Control register.

[7] Reserved: this bit must be set to '0' for the correct operation of the device

[6:4] ODR2, ODR1, ODR0: output data rate selection.

Default value: 000 (see [Table 16](#))

[3] EN_LPFP: Enable low-pass filter on pressure data. Default value: 0

(0: Low-pass filter disabled; 1: Low-pass filter enabled)

[2] LPF_CFG: Low-pass configuration register. Default value: 0 (see [Table 17](#))

[1] BDU: block data update.

Default value: 0

(0: continuous update; 1: output registers not updated until MSB and LSB have been read)

[0] SIM: SPI Serial Interface Mode selection.

Default value: 0

(0: 4-wire interface; 1: 3-wire interface)

Table 16. Output data rate bit configurations

ODR2	ODR1	ODR0	Pressure (Hz)	Temperature (Hz)
0	0	0	Standby / One-shot enabled	
0	0	1	1 Hz	1 Hz
0	1	0	10 Hz	10 Hz
0	1	1	25 Hz	25 Hz
1	0	0	50 Hz	50 Hz
1	0	1	75 Hz	75 Hz

When ODR[2,0] are set to '000' the device enables One-Shot mode. When the ONESHOT bit is set to 1 in [CTRL_REG2 \(11h\)](#), a new conversion for pressure and temperature starts. An ODR change will not flush FIFO content.

Table 17. Low-pass filter configurations

LPF_CFG	Filter cutoff
0	ODR/9
1	ODR/20

The **BDU** bit is used to inhibit the update of the output registers between the reading of upper and lower register parts. In default mode (BDU = '0'), the lower and upper register parts are updated continuously. When the BDU is activated (BDU = '1'), the content of the output registers is not updated until both MSB and LSB are read which avoids reading values related to different samples.

The **SIM** bit selects the SPI serial interface mode:

- 0: (default value) 4-wire SPI interface mode selected
- 1: 3-wire SPI interface mode selected

8.6 CTRL_REG2 (11h)

7	6	5	4	3	2	1	0
BOOT	FIFO_EN	STOP_ON_FTH	IF_ADD_INC	I ² C_DIS	SWRESET	0	ONE_SHOT

Address: 11h (R/W)

Reset: 10h

Description: Control register.

[7] **BOOT**: Reboot memory content. Default value: 0

(0: normal mode; 1: reboot memory content) Self-clearing upon completion.

[6] **FIFO_EN**: FIFO Enable. Default value: 0

(0: disable; 1: enable)

[5] **STOP_ON_FTH**: Stop on FIFO threshold. Enable FIFO watermark level use. Default value: 0

(0: disable; 1: enable)

[4] **IF_ADD_INC**: Register address automatically incremented during a multiple byte access with a serial interface (I²C or SPI). Default value: 1

(0: disable; 1 enable)

[3] **I²C_DIS**: disable I²C interface. Default value: 0

(0: SPI enable; 1: I²C disable)

[2] **SWRESET**: Software reset. Default value: 0

(0: normal mode; 1: software reset) Self-clearing upon completion

[1] **Reserved**: this bit must be set to '0' for the correct operation of the device

[0] **ONE_SHOT**: One shot enable. Default value: 0

(0: waiting for start of conversion; 1: start of a new dataset)

Description: The **BOOT** bit is used to refresh the content of the internal registers stored in the Flash memory block. At device power-up the content of the Flash memory block is transferred to the internal registers related to the trimming functions to permit good behavior of the device itself. If for any reason the content of the trimming registers is modified, it is sufficient to use this bit to restore the correct values. When the **BOOT** bit is set to '1', the content of the internal Flash is copied inside the corresponding internal registers and is used to calibrate the device. These values are factory trimmed and they are different for every device. They permit good behavior of the device and normally they should not be changed. At the end of the boot process the **BOOT** bit is set again to '0' by hardware. The **BOOT** bit takes effect after one ODR clock cycle.

The **SWRESET** bit resets the following registers to the default value and returns to '0' by hardware. During a software reset FIFO content is flushed.

Table 18. Register default values

Name	Type	Addr	Default
INTERRUPT_CFG	r/w	0Bh	00h
THS_P_L	r/w	0Ch	00h
THS_P_H	r/w	0Dh	00h
CTRL_REG1	r/w	10h	00h
CTRL_REG2	r/w	11h	10h
CTRL_REG3	r/w	12h	00h
FIFO_CTRL	r/w	14h	00h
REF_P_XL	r/w	15h	00h
REF_P_L	r/w	16h	00h
REF_P_H	r/w	17h	00h

The **ONE_SHOT** bit is used to start a new conversion when the ODR[2,0] bits in *CTRL_REG1 (10h)* are set to '000'. If the ONE_SHOT bit is set during a Normal Mode measurement, nothing happens. Write '1' in ONE_SHOT to trigger a single measurement of pressure and temperature. Once the measurement is done, the ONE_SHOT bit will self-clear, the new data are available in the output registers, and the STATUS_REG bits are updated. If ONE_SHOT bit is set while the one-shot measurement is running, at the end of the current measurement a new one-shot measurement starts.

8.7 CTRL_REG3 (12h)

Interrupt control

7	6	5	4	3	2	1	0
INT_H_L	PP_OD	F_FSS5	F_FTH	F_OVR	DRDY	INT_S2	INT_S1

Address: 12h (R/W)

Reset: 00h

Description: Control register.

[7] INT_H_L: Interrupt active high, low. Default value: 0
(0: active high; 1: active low)

[6] PP_OD: Push-pull/open-drain selection on interrupt pads. Default value: 0
(0: push-pull; 1: open drain)

[5] F_FSS5: FIFO full flag on INT_DRDY pin;
(0: FIFO empty; 1: FIFO full (32 unread samples)).

[4] F_FTH: FIFO threshold (watermark) status on INT_DRDY pin;
(0: FIFO filling is lower than FTH level; 1: FIFO filling is equal or higher than FTH level)

[3] F_OVR: FIFO overrun bit status; OVRN='1' means that at least one sample in the FIFO has been overwritten

[2] DRDY: Data-ready signal on INT_DRDY pin

[1:0] INT_S2, INT_S1: data signal on INT_DRDY pin control bits. Default value: 00
(see [Table 19](#))

Table 19. Interrupt configurations

INT_S2	INT_S1	INT_DRDY pin
0	0	Data signal (in order of priority: DRDY or F_FTH or F_OVR or F_FSS5)
0	1	Pressure high (P_high)
1	0	Pressure low (P_low)
1	1	Pressure low OR high

8.8 FIFO_CTRL (14h)

FIFO control

7	6	5	4	3	2	1	0
F_MODE2	F_MODE1	F_MODE0	WTM4	WTM3	WTM2	WTM1	WTM0

Address: 14h (R/W)

Reset: 00h

Description: The FIFO_CTRL registers allow controlling FIFO functionality.

[7:5] FIFO mode selection. See [Table 20](#).

[4:0] FIFO threshold. Watermark level setting.

Table 20. FIFO mode selection

F_MODE2	F_MODE1	F_MODE0	FIFO mode selection
0	0	0	Bypass mode ⁽¹⁾
0	0	1	FIFO mode. Stops collecting data when full.
0	1	0	Stream mode: if the FIFO is full, the new sample overwrites the older sample.
0	1	1	Stream-to-FIFO mode. Stream mode until trigger deasserted, then FIFO mode.
1	0	0	Bypass-to-Stream mode. Bypass mode until trigger deasserted, then Stream mode.
1	0	1	Reserved
1	1	0	Dynamic-Stream mode
1	1	1	Bypass-to-FIFO mode. Bypass mode until trigger deasserted, then FIFO mode

1. Every time Bypass mode is selected, FIFO content is flushed.

8.9 REF_P_XL (15h)

Reference pressure (LSB data)

7	6	5	4	3	2	1	0
REFL7	REFL6	REFL5	REFL4	REFL3	REFL2	REFL1	REFL0

Address: 15h (R/W)

Reset: 00h

Description: The REF_P_XL register contains the lowest part of the reference pressure value that is sum to the sensor output pressure. The full reference pressure value is composed of [REF_P_XL \(15h\)](#), [REF_P_L \(16h\)](#), [RPDS_L \(18h\)](#) and is represented as 2's complement. The reference pressure value can also be used to detect a measured pressure beyond programmed limits (see [CTRL_REG3 \(12h\)](#)), and for Autozero function (see RESET_AZ bit, at [INTERRUPT_CFG \(0Bh\)](#)).

[7:0] REFL7-0: LSB reference pressure data

8.10 REF_P_L (16h)

Reference pressure (middle part)

15	14	13	12	11	10	9	8
REFL15	REFL14	REFL13	REFL12	REFL11	REFL10	REFL9	REFL8

Address: 16h (R/W)

Reset: 00h

Description: The REF_P_L register contains the middle part of the reference pressure value that is sum to the sensor output pressure. (See [REF_P_XL \(15h\)](#) description).

[15:8] REFL15-8: Middle part reference pressure data

8.11 REF_P_H (17h)

Reference pressure (MSB data)

23	22	21	20	19	18	17	16
REFL23	REFL22	REFL21	REFL20	REFL19	REFL18	REFL17	REFL16

Address: 17h (R/W)

Reset: 00h

Description: The REF_P_H register contains the highest part of the reference pressure value that is sum to the sensor output pressure. (See [REF_P_XL \(15h\)](#) description).

[23:16] REFL23-16: MSB reference pressure data.

8.12 RPDS_L (18h)

Pressure offset (LSB)

7	6	5	4	3	2	1	0
RPDS7	RPDS6	RSPDS5	RPDS4	RPDS3	RPDS2	RPDS1	RPDS0

Address: 18h (R/W)

Reset: 00h

Description: This register contains the low part of the pressure offset value after soldering, for differential pressure computing. The complete value is given by *RPDS_H (19h)* and *RPDS_L (18h)* and is expressed as signed 2's complement value.

[7:0] RPDS7-0: Pressure offset for one-point calibration after soldering

8.13 RPDS_H (19h)

Pressure offset (MSB)

15	14	13	12	11	10	9	8
RPDS15	RPDS14	RSPDS13	RPDS12	RPDS11	RPDS10	RPDS9	RPDS8

Address: 19h (R/W)

Reset: 00h

Description: This register contains the high part of the pressure offset value after soldering (see description *RPDS_L (18h)*)

[15:8] RPDS15-8: Pressure offset for one-point calibration after soldering.

8.14 RES_CONF (1Ah)

7	6	5	4	3	2	1	0
0	0	0	0	0	0	--	LC_EN ⁽¹⁾

1. The LC_EN bit must be changed only with the device in power-down and not during operation.

Address: 1Ah (R/W)

Reset: 00h

Description: This register allows enabling low-power mode)

[7:2] Reserved: this bit must be set to '0' for the correct operation of the device

[1] Reserved: the content of this register must not be modified

[0] LC_EN: Enable low-current mode. Default: 0

(0: Normal mode (low-noise mode); 1: low-current mode).



8.15 INT_SOURCE (25h)

Interrupt source

7	6	5	4	3	2	1	0
BOOT_STATUS	0	0	0	0	IA	PL	PH

Address: 25h (R)

Reset: 00h

Description: INT_SOURCE register is cleared by reading it

[7] BOOT_STATUS: If '1' indicates that the Boot (Reboot) phase is running

[6:3] Reserved

[2] IA: Interrupt active.

(0: no interrupt has been generated; 1: one or more interrupt events have been generated).

[1] PL: Differential pressure Low.

(0: no interrupt has been generated; 1: Low differential pressure event has occurred).

[0] PH: Differential pressure High.

(0: no interrupt has been generated; 1: High differential pressure event has occurred).

8.16 FIFO_STATUS (26h)

FIFO status

7	6	5	4	3	2	1	0
FTH_FIFO	OVR	FSS5	FSS4	FSS3	FSS2	FSS1	FSS0

Address: 26h (R)

Reset: 00h

Description: [7] FTH_FIFO: FIFO threshold status. Default value: 0

(0: FIFO filling is lower than FTH level, 1: FIFO filling is equal to or higher than threshold level)

Description: [6] OVRN: Overrun bit status. Default value: 0

(0: FIFO is not completely filled, 1: FIFO is completely filled and at least one sample has been overwritten)

Description: [5:0] FSS: number of unread samples stored in FIFO. Default value: 0

(000000: FIFO empty, 100000: FIFO full, 32 unread samples)

Table 21. FIFO_STATUS example: OVR/FSS details

FTH	OVRN	FSS5	FSS4	FSS3	FSS2	FSS1	FSS0	Description
0	0	0	0	0	0	0	0	FIFO empty
_(1)	0	0	0	0	0	0	1	1 unread sample
...								
_(1)	0	1	0	0	0	0	0	32 unread samples
1	1	1	0	0	0	0	0	At least one sample has been overwritten

1. When the number of unread samples in FIFO is greater than the threshold level set in register *FIFO_CTRL* (14h), the FTH value is '1'.

8.17 STATUS (27h)

Status register

7	6	5	4	3	2	1	0
RES		T_OR	P_OR	RES		T_DA	P_DA

Address: 27h (R)

Reset: 00h

[7:6] Reserved

[5] T_OR: Temperature data overrun. Default value: 0

(0: no overrun has occurred; 1: new data for temperature has overwritten the previous data)

[4] P_OR: Pressure data overrun. Default value: 0

(0: no overrun has occurred; 1: new data for pressure has overwritten the previous data)

[3:2] Reserved

[1] T_DA: Temperature data available. Default value: 0

(0: new data for temperature is not yet available; 1: new data for temperature is available)

[0] P_DA: Pressure data available. Default value: 0

(0: new data for pressure is not yet available; 1: new data for pressure is available)

This register is updated every ODR cycle, regardless of the BDU value in *CTRL_REG1* (10h).

T_OR is set to '1' whenever new temperature data is available and T_DA was set in the previous ODR cycle and not cleared. T_OR is cleared when *TEMP_OUT_H* (2Ch) is read.

P_OR is set to '1' whenever new pressure data is available and P_DA was set in the previous ODR cycle and not cleared. P_OR is cleared when *PRESS_OUT_H* (2Ah) is read.

T_DA is set to 1 whenever a new temperature sample is available. T_DA is cleared when [TEMP_OUT_H \(2Ch\)](#) is read.

P_DA is set to 1 whenever a new pressure sample is available. P_DA is cleared when [PRESS_OUT_H \(2Ah\)](#) register is read.

8.18 PRESS_OUT_XL (28h)

Pressure data (LSB)

7	6	5	4	3	2	1	0
POUT7	POUT6	POUT5	POUT4	POUT3	POUT2	POUT1	POUT0

Address: 28h (R)

Description: The PRESS_OUT_XL register contains the lowest part of the pressure output value, that is, the difference between the measured pressure and the reference pressure (REF_P registers). See AUTOZERO bit in [INTERRUPT_CFG \(0Bh\)](#). The full reference pressure value is composed of PRESS_OUT_H/L/_XL and is represented as 2's complement. Pressure values exceeding the operating pressure range (see [Table 3](#)) are clipped.

[7:0] POUT7 - POUT0: Pressure data LSB

8.19 PRESS_OUT_L (29h)

Pressure data (middle byte)

15	14	13	12	11	10	9	8
POUT15	POUT14	POUT13	POUT12	POUT11	POUT10	POUT9	POUT8

Address: 29h (R)

Description: The PRESS_OUT_L register contains the middle part of the pressure output value. (See [PRESS_OUT_XL \(28h\)](#) description).

[15:8] POUT15 - POUT8: Pressure data

8.20 PRESS_OUT_H (2Ah)

Pressure data (MSB)

23	22	21	20	19	18	17	16
POUT23	POUT22	POUT21	POUT20	POUT19	POUT18	POUT17	POUT16

Address: 2Ah (R)

Description: The PRESS_OUT_H register contains the highest part of the pressure output value. (See [PRESS_OUT_XL \(28h\)](#) description).

[23:16] POUT23 - POUT16: Pressure data MSB

8.21 TEMP_OUT_L (2Bh)

Temperature data (LSB)

7	6	5	4	3	2	1	0
TOUT7	TOUT6	TOUT5	TOUT4	TOUT3	TOUT2	TOUT1	TOUT0

Address: 2Bh (R)

Description: The TEMP_OUT_L register contains the low part of the temperature output value. Temperature data are expressed as [PRESS_OUT_H \(2Ah\)](#) & [TEMP_OUT_L \(2Bh\)](#) as 2's complement numbers.

8.22 TEMP_OUT_H (2Ch)

Temperature data (MSB)

15	14	13	12	11	10	9	8
TOUT15	TOUT14	TOUT13	TOUT12	TOUT11	TOUT10	TOUT9	TOUT8

Address: 2Ch (R)

Description: The TEMP_OUT_H register contains the high part of the temperature output value. (See [TEMP_OUT_L \(2Bh\)](#) description).

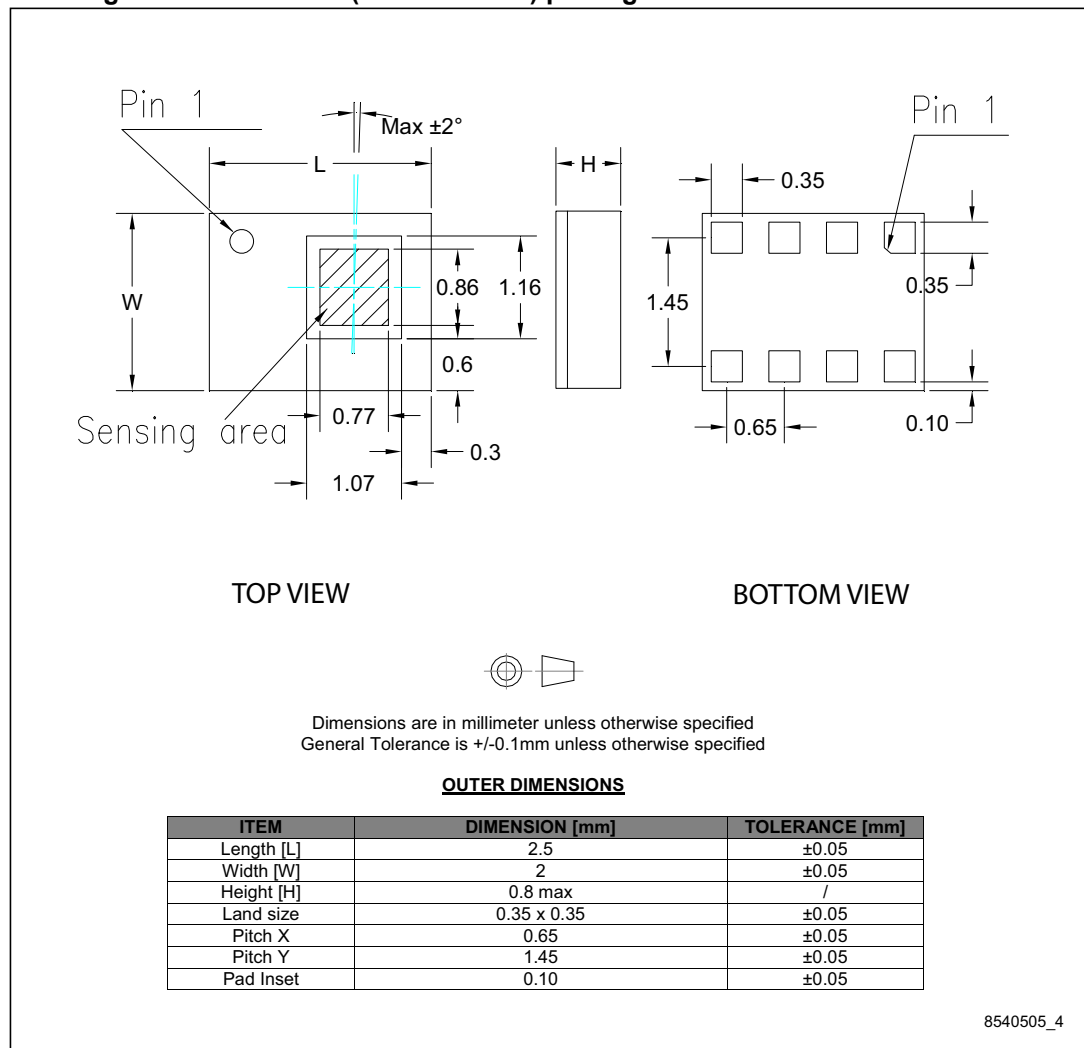
[15:8] TOUT15 - TOUT8: Temperature data.

9 Package information

In order to meet environmental requirements, ST offers these devices in different grades of ECOPACK® packages, depending on their level of environmental compliance. ECOPACK® specifications, grade definitions and product status are available at: www.st.com. ECOPACK® is an ST trademark.

9.1 HLGA-8L package information

Figure 19. HLGA - 8L (2.0 x 2.5 x 0.8) package outline and mechanical data



10 Revision history

Table 22. Document revision history

Date	Revision	Changes
29-Nov-2016	1	Initial release
02-Feb-2017	2	Updated RMS pressure sensing noise in Table 3: Pressure and temperature sensor characteristics

IMPORTANT NOTICE – PLEASE READ CAREFULLY

STMicroelectronics NV and its subsidiaries (“ST”) reserve the right to make changes, corrections, enhancements, modifications, and improvements to ST products and/or to this document at any time without notice. Purchasers should obtain the latest relevant information on ST products before placing orders. ST products are sold pursuant to ST’s terms and conditions of sale in place at the time of order acknowledgement.

Purchasers are solely responsible for the choice, selection, and use of ST products and ST assumes no liability for application assistance or the design of Purchasers’ products.

No license, express or implied, to any intellectual property right is granted by ST herein.

Resale of ST products with provisions different from the information set forth herein shall void any warranty granted by ST for such product.

ST and the ST logo are trademarks of ST. All other product or service names are the property of their respective owners.

Information in this document supersedes and replaces information previously supplied in any prior versions of this document.

© 2017 STMicroelectronics – All rights reserved