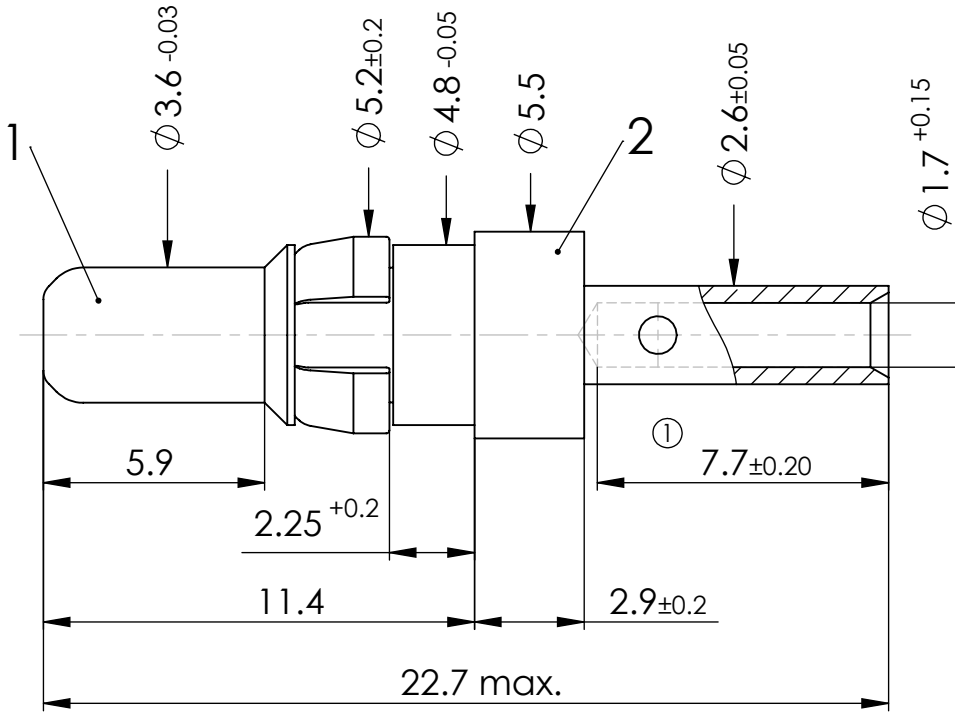
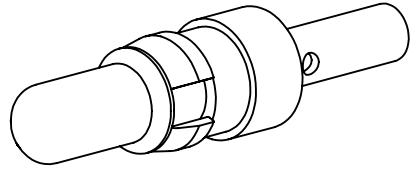


COMMENT:
 ALL RIGHTS ARE RESERVED BY US FOR THIS DRAWING. WITHOUT OUR PRIOR CONSENT,
 IT MAY NEITHER BE DUPLICATED NOR MADE AVAILABLE TO A THIRD PARTY,
 AND IT ALSO MAY NOT BE IMPROPERLY USED BY THE RECEIVER, OR A THIRD PARTY.



Text No. W-4

FCT tools:

Hand tool: M309

Pneumatic crimp tool: WA27-309

Die: SP994

Selector Number:

AWG 16 / SEL. 3

AWG 18 / SEL. 2

AWG 20 / SEL. 2

CURRENT		10 A	HIGH POWER CONTACT		SCALE	DATA SHEET
FOR EN 60603-2		formerly DIN 41612	NAME / DATE		5:1	①
DIMENSIONS IN MM		DRAWN	Steinbrück			
MATERIAL + FINISH SEE EXTRA SHEET		CHECKED	14-05-2003			
UNLESS OTHERWISE SPECIFIED DIMENSIONS FOR REFERENCE ONLY		MTeubel		24-05-2006		
2		11330		PART NO.		REV.
REV.		DATE		INDEX		2
ORIGINAL: DIN A4-DRAWING AS A FILE		REPLACEMENT FOR:		FMP002P		PAGE: 1/1

