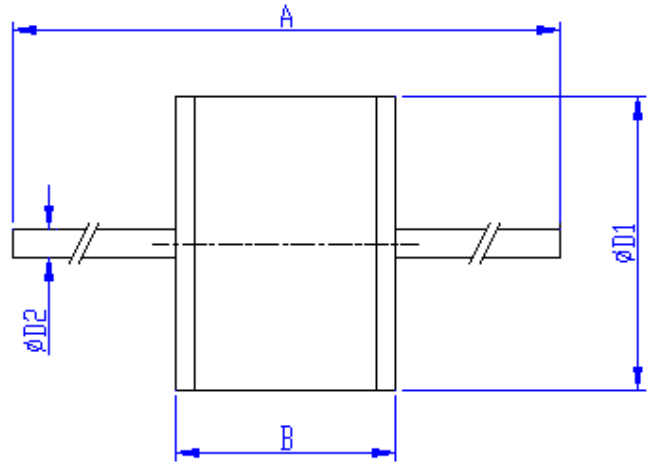
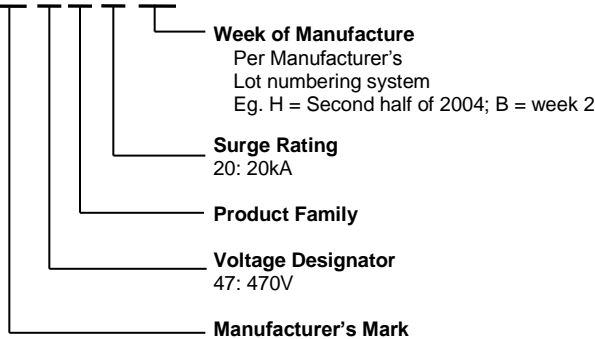


**Specification Status: Released**

Marking:

ⓧ 47 R 20 HB



**TABLE I. DIMENSIONS**

mm	A		B		D1		D2
	MIN	MAX	MIN	MAX	MIN	MAX	NOM
	58.0	66.0	5.8	6.2	7.8	8.2	1.0
in*	(2.28)	(2.60)	(0.23)	(0.24)	(0.31)	(0.32)	(0.04)

\*Rounded off approximation

**TABLE II. ELECTRICAL CHARACTERISTICS**

DC Sparkover Voltage*	Impulse Sparkover Voltage		Insulation Resistance	Capacitance	Impulse Discharge Current 8/20µs	AC Discharge Current, 50 Hz
@ 100V/s	@100V/µs	@1000V/µs	@100Vdc	@ 1MHz	10 hits(5 hits for each polarity)	Multiple Hits (1s duration: 10 Hits)
470V ± 20%	≤1,050V	≤1,150V	≥10,000Mohms	<1.5pF	20kA	20A

\*In ionized mode

Testing methods and specifications referring to ITU-T K.12

**General Characteristics:**

No Radioactive Materials  
Storage temperature: -40°C ... +90°C  
Operating temperature: -40°C ... +90°C  
Electrode : Tin Plated

Agency Recognitions: UL497B Recognized (File# E179610)  
Precedence: This specification takes precedence over documents referenced herein  
Effectivity: Reference documents shall be the issue in effect on the date of invitation for bid  
CAUTION: Operation beyond the rated voltage or current may result in rupture, electrical arcing or flame

**Materials Information**

ROHS Compliant

ELV Compliant

Pb-Free

Directive 2002/95/EC Compliant

Directive 2000/53/EC Compliant





Expertise Applied | Answers Delivered

## Gas Discharge Tube

### Over-Voltage Protection Device

**PRODUCT: GTCA28-471M-R20**

DOCUMENT: SCD28641  
REV LETTER: A  
REV DATE: JULY 26, 2016  
PAGE NO.: 2 of 2

Littelfuse products are not designed for, and shall not be used for, any purpose (including, without limitation, automotive, military, aerospace, medical, life-saving, life-sustaining or nuclear facility applications, devices intended for surgical implant into the body, or any other application in which the failure or lack of desired operation of the product may result in personal injury, death, or property damage) other than those expressly set forth in applicable Littelfuse product documentation. Warranties granted by Littelfuse shall be deemed void for products used for any purpose not expressly set forth in applicable Littelfuse documentation. Littelfuse shall not be liable for any claims or damages arising out of products used in applications not expressly intended by Littelfuse as set forth in applicable Littelfuse documentation. The sale and use of Littelfuse products is subject to Littelfuse Terms and Conditions of Sale, unless otherwise agreed by Littelfuse.