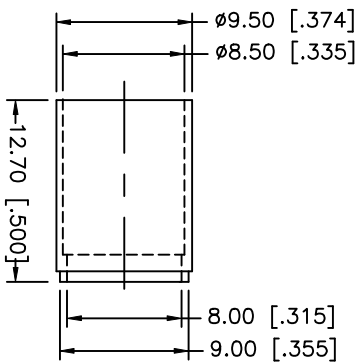
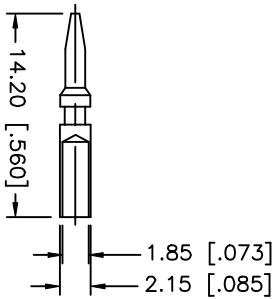
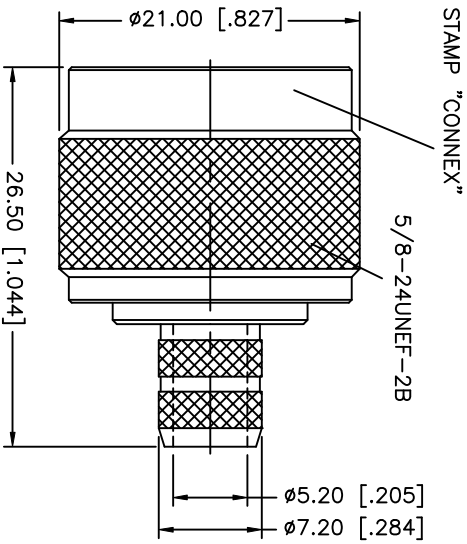
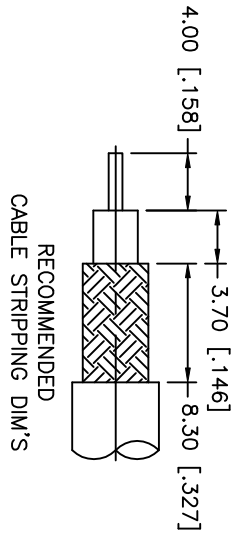


REV.	DATE	DESCRIPTION
NC	08/01/02	INITIAL RELEASE



CRIMP NOTES:

1. CRIMPED FERRULE
HEX CRIMP SIZE .324"
2. CRIMPED CONTACT PIN
HEX CRIMP SIZE .068"

DESCRIPTION	MATERIAL	FINISH	DO NOT SCALE DRAWING	APPROVALS	DATE	TITLE	SIZE	FSOM NO.	DWG. NO.	REV.		
8				UNLESS OTHERWISE SPECIFIED DIMENSIONS ARE IN MILLIMETERS ARE IN INCHES FOR CUSTOMER REFERENCE ONLY		Amphenol - Connex CONNECTOR CORPORATION N CRIMP PLUG FOR LMR 300 CABLE	A	99001	172304.DWG	NC		
7				DRAWN	08/01/02							
6				CHECKED								
5				ISSUED								
4	FERRULE	BRASS	NICKEL	UNLESS OTHERWISE SPECIFIED TOLERANCES FOR INCHES ARE: .XXX = ± 0.005" .XX = ± 0.010" .X = ± 0.020"								
3	CONTACT PIN	BRASS	GOLD									
2	INSULATOR	TEFLON	NATURAL									
1	BODY	BRASS	NICKEL									
							SCALE	NA	PART NO.	172304	SHEET	1 OF 1