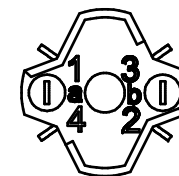
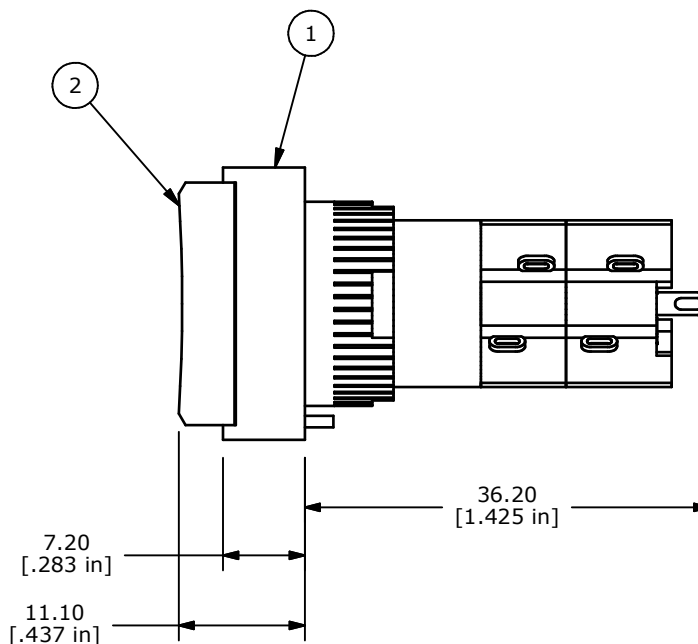
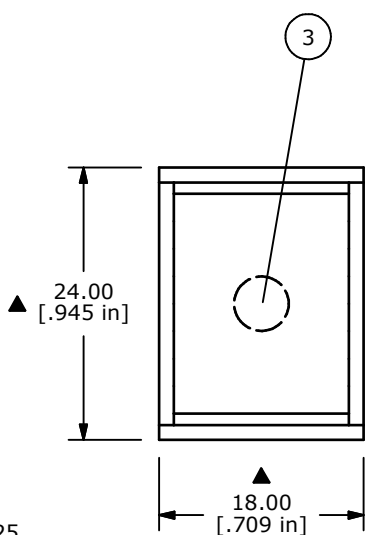
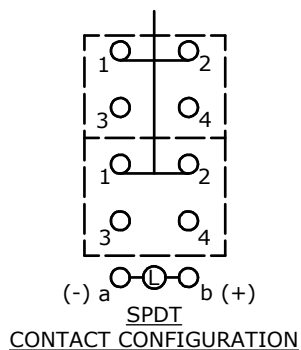


PARTS LIST			
ITEM	QTY	PART NUMBER	DESCRIPTION
1	1	F040035	D16OAT12
2	1	F052204	50-002-04 RED OPAQUE RECTANGULAR CONCAVE
3	1	F050405	50-004-05 28V, 40mA INCANDESCENT BULB

PANEL MOUNTING



- NOTE:
1. ALL DIMENSIONS IN MM [INCH]
 2. GENERAL TOLERANCE: X.X=±0.4
X.XX=±0.25
 3. TERMINAL NUMBERS FOR REF ONLY
 4. MECHANICAL LIFE: 2,000,000 OPERATIONS
 5. CONTACT RATING: 5A @ 250 VAC, 8A @ 125 VAC
6A @ 24 VDC
 6. SEAL RATING: IP40
 7. MOUNTING PANEL THICKNESS: 0.5 - 5.0 mm
 8. INSULATION RESISTANCE: 1,000 MILLI-OHM MIN.
 9. OPERATING TEMP.: -25°C to 55°C
 10. TRAVEL: 3.0mm FULL, 2.0mm LATCH
 - ▲11. LAMP VOLTAGE: 28V - 40 mA INCANDESCENT
 12. ▲ DENOTES CRITICAL PARAMETER.
 13. 2002/95/EC (ROHS) COMPLIANT.



A	18614	RELEASED FOR PRODUCTION	8/11/09	BLR
REV	PCR NO	DESCRIPTION	DATE	BY

TITLE D16OAT12CRED				
SCALE	DATE	DR	DWG	REV
1.5:1	8/11/2009	BLR	XF0801P	A

THE INFORMATION CONTAINED IN THIS DOCUMENT IS PROPRIETARY TO E-SWITCH AND IS NOT TO BE COPIED OR TRANSFERRED