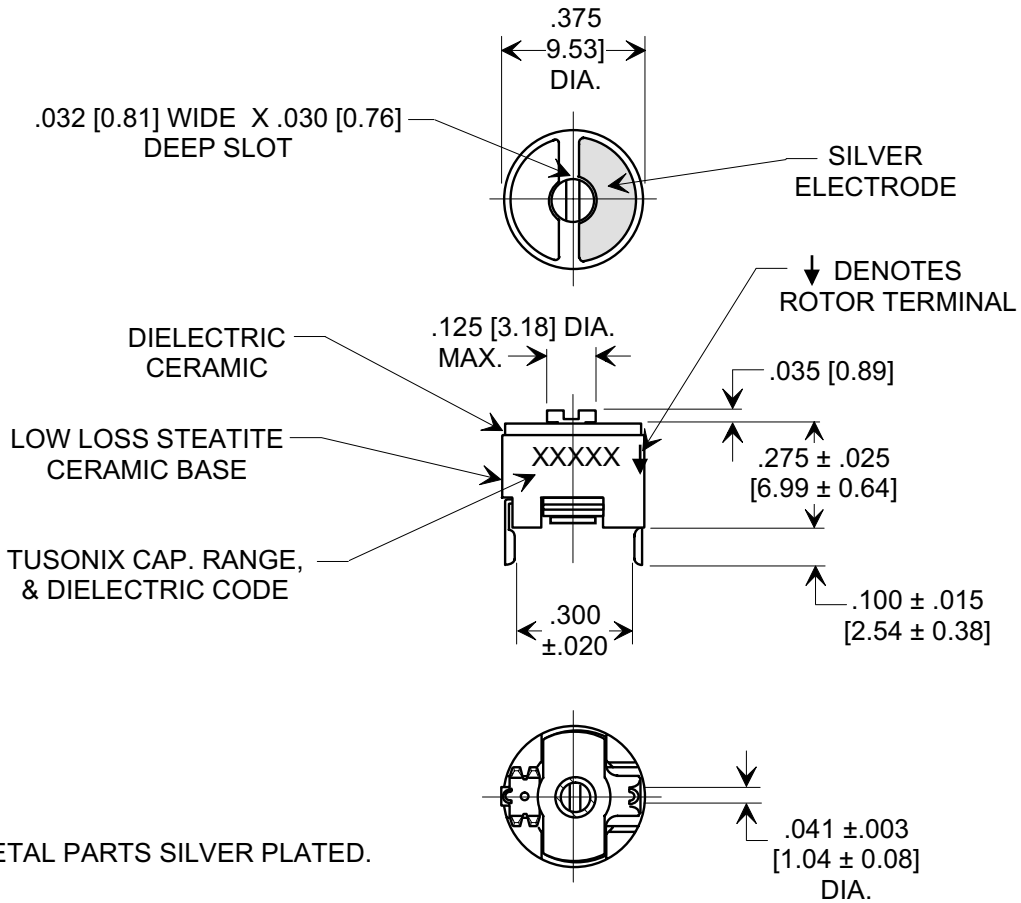
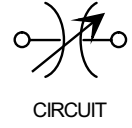
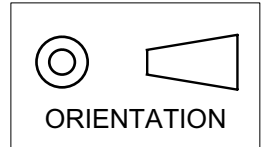


MARKETING SALES DRAWING

DIMENSIONS IN INCHES - DO NOT SCALE THIS DRAWING

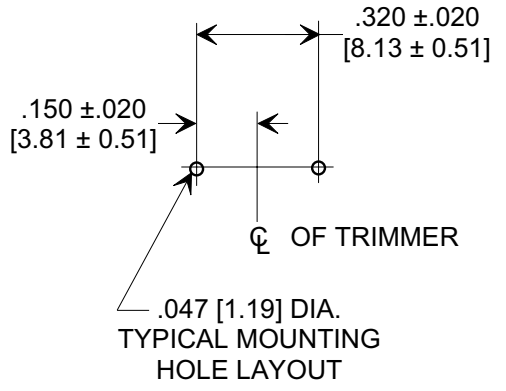
DIMENSIONS IN METRIC - []

Electrical Testing
per Tusonix standard
test plans and Mil-Std-202
Test Methods.



NOTE:
ALL METAL PARTS SILVER PLATED.

FOR DIMENSIONS ≤ .125"/3.18mm,
TOLERANCE IS ±.015"/0.38mm.
FOR DIMENSIONS ≥ .126"/3.20mm,
TOLERANCE IS ±.030"/0.76mm.



ORDERING INFORMATION

Part No.	538-011 F 15.0-60
Value	15.0 - 60pF
Value Tol.	MIN. +10%, MAX. -10% +100%
Dielectric Type Code	F
Rating	200 WVDC @ 85°, 100 WVDC @ 125°C
Operating Temperature Range:	-55°C TO + 125°C
To Tusonix Spec Unless Stated Otherwise	

X-2015 Rev-0

REVISION RECORD Original Release C.O. 19990913-2-01 METRIC DIM'S & ORIENTATION SYMBOL CIRCUIT & NOTES ADDED L.E. 06-03-03 20030530-1-03	TOLERANCES unless otherwise specified 2 PLC. DECIMAL ± $\frac{\quad}{\quad}$ 3 PLC. DECIMAL ± $\frac{\quad}{\quad}$		Title <h3>CERAMIC TRIMMER</h3>	
	ANGLES ± 10°	Drawn S.M. 09-14-99	Scale 2 X	
	Approved E.F. 09-14-99		Approved E.F. 09-14-99	
	TUSONIX TUCSON, ARIZONA		A	538-011 F 15.0-60