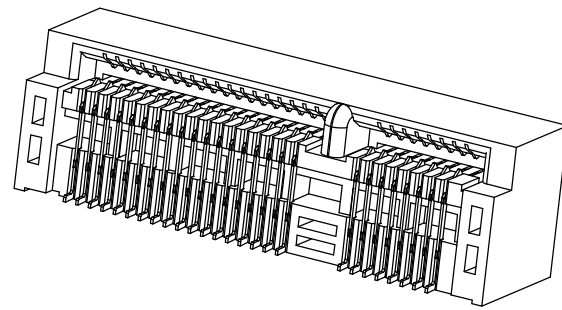
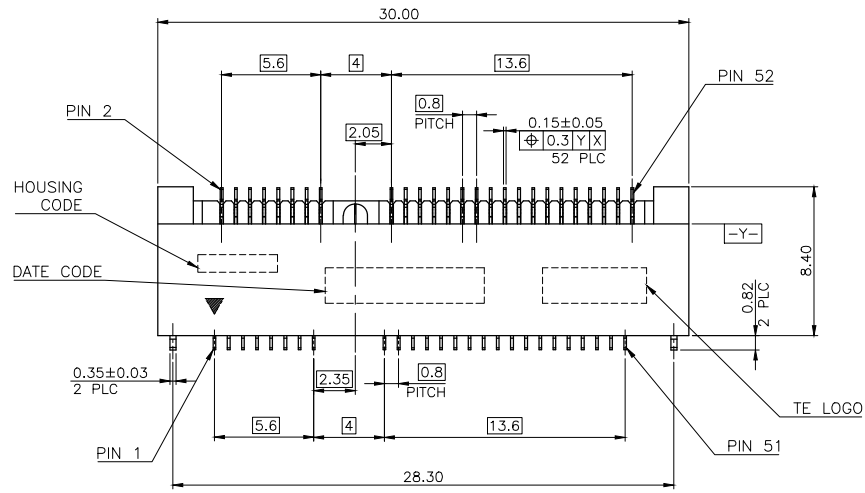
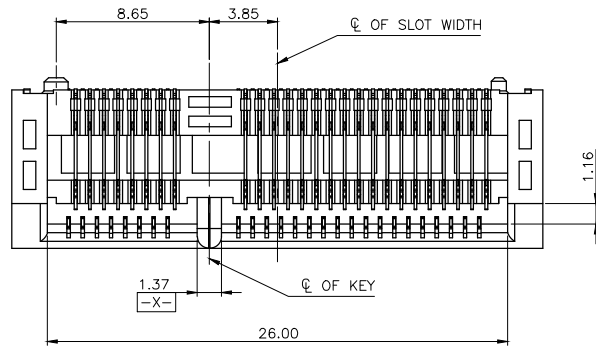


THIS DRAWING IS UNPUBLISHED. RELEASED FOR PUBLICATION. ALL RIGHTS RESERVED.  
 COPYRIGHT 2011 BY TE CONNECTIVITY.

LOC	DIST	REVISIONS			
P	LTR	DESCRIPTION	DATE	DWN	APVD
E1		REVISED. (ECR-14-004907 & ECR-14-004916 OBSOLETE 1759513-2 & 2-1759513-5)	01AUG14	SW	HL

NOTES:

- MATERIAL:  
HOUSING: LCP WITH 30% GF, UL94 V-0, BLACK COLOR.  
CONTACTS: PHOSPHOR BRONZE.  
PEGS: BRASS.
- FINISH:  
CONTACTS: (SEE TABLE) GOLD PLATED ON CONTACT AREA, GOLD FLASH ON SOLDER AREA, WITH ENTIRE CONTACT UNDERPLATED 1.27μm [50μ"] MIN. NICKEL.  
PEGS: 3.048μm [120μ"] MIN. MATTE-TIN OVER 1.27μm [50μ"] MIN. NICKEL.
- REFLOW SOLDER CAPABLE TO 260° PER TEC-109-201, CONDITION B.



PCI-E MINI CARD CONNECTOR SIGNAL ASSIGNMENTS

PIN#	NAME	PIN#	NAME
51	Reserved	52	+3.3Vaux
49	Reserved	50	GND
47	Reserved	48	+1.5V
45	Reserved	46	LED_WPAN#
43	GND	44	LED_WLAN#
41	+3.3Vaux	42	LED_WWAN#
39	+3.3Vaux	40	GND
37	GND	38	USB_D+
35	GND	36	USB_D-
33	PETp0	34	GND
31	PETn0	32	SMB_DATA
29	GND	30	SMB_CLK
27	GND	28	+1.5V
25	PERp0	26	GND
23	PERn0	24	+3.3Vaux
21	GND	22	PERST#
19	Reserved* (UIM_C4)	20	W_DISABLE#
17	Reserved* (UIM_C8)	18	GND

MECHANICAL KEY			
15	GND	16	UIM_VPP
13	REFCLK+	14	UIM_RESET
11	REFCLK-	12	UIM_CLK
9	GND	10	UIM_DATA
7	CLKREQ#	8	UIM_PWR
5	COEX2	6	1.5V
3	COEX1	4	GND
1	WAKE#	2	3.3Vaux

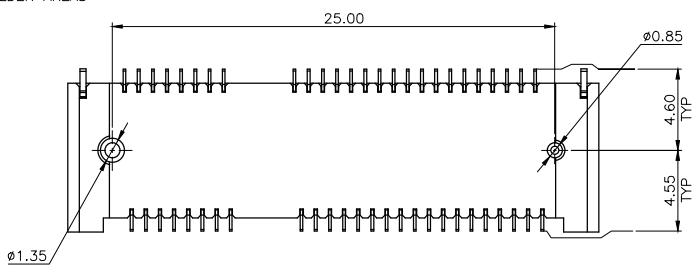
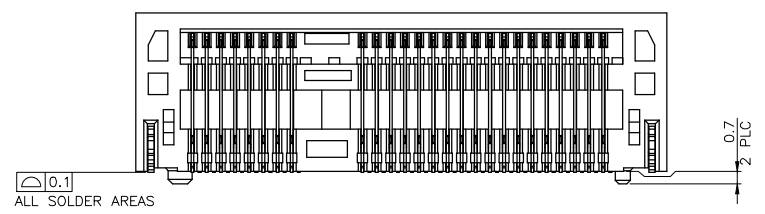
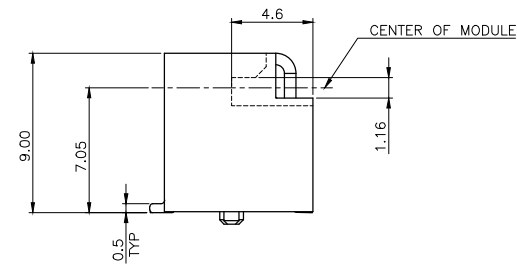
mSATA CONNECTOR SIGNAL ASSIGNMENTS

PIN#	NAME	PIN#	NAME
51	Presence Detection	52	+3.3V
49	DA/DSS	50	GND
47	Vendor	48	+1.5V
45	Vendor	46	Reserved
43	No Connect	44	Reserved
41	+3.3V	42	Reserved
39	+3.3V	40	GND
37	GND	38	Reserved
35	GND	36	Reserved
33	+A	34	GND
31	-A	32	Two Wire Interface
29	GND	30	Two Wire Interface
27	GND	28	+1.5V
25	-B	26	GND
23	+B	24	+3.3V
21	GND	22	Reserved
19	Reserved	20	Reserved
17	Reserved	18	GND

MECHANICAL KEY			
15	GND	16	Reserved
13	Reserved	14	Reserved
11	Reserved	12	Reserved
9	GND	10	Reserved
7	Reserved	8	Reserved
5	Reserved	6	+1.5V
3	Reserved	4	GND
1	Reserved	2	+3.3V

\* Reserved for future UIM interface (if needed)



THIS DRAWING IS A CONTROLLED DOCUMENT.

DIMENSIONS: MM	TOLERANCES UNLESS OTHERWISE SPECIFIED:	0 PLC ± -	1 PLC ± 0.3	2 PLC ± 0.2	3 PLC ± -	4 PLC ± -	ANGLES ± °
----------------	--	-----------	-------------	-------------	-----------	-----------	------------

MATERIAL	FINISH	WEIGHT	2.88 g
----------	--------	--------	--------

APVD	W. KODAMA	27JAN2011	NAME
CHK	S. CHIEN	27JAN2011	
DWN	A. WU	27JAN2011	

PRODUCT SPEC: 108-99102  
 APPLICATION SPEC: -  
 WEIGHT: 2.88 g

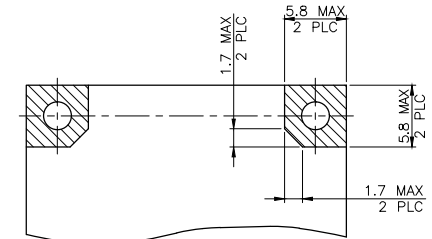
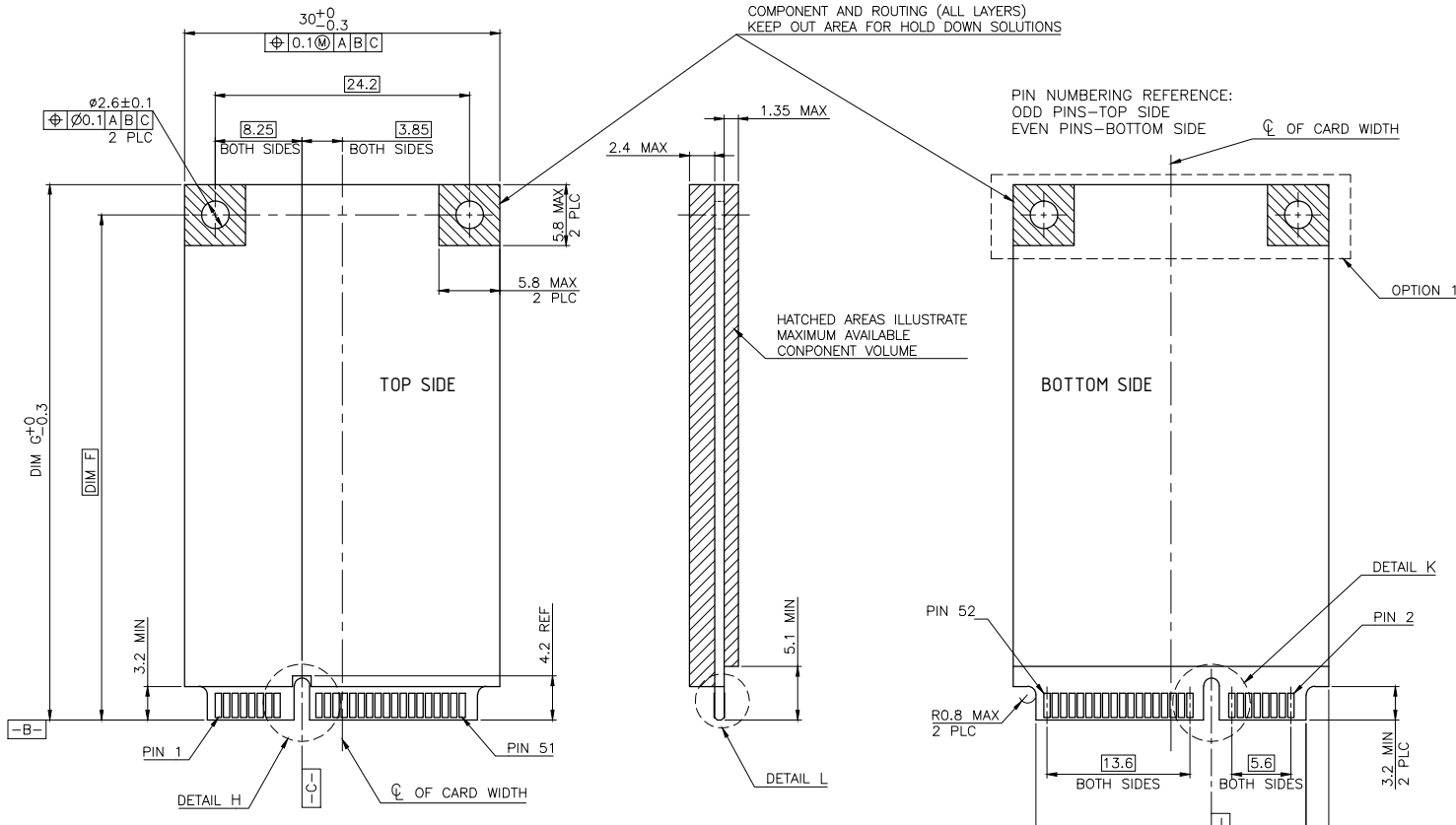
SIZE: A2 CAGE CODE: 00779 DRAWING NO: 1759513 RESTRICTED TO: -  
 SCALE: - SHEET: 1 of 5 REV: E1

TE Connectivity  
 2 IN 1 mSATA & PCI EXPRESS MINI CARD CONNECTOR, 9 MM HEIGHT

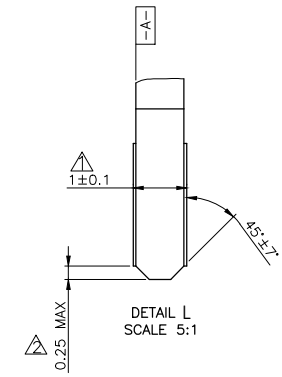
GOLD FLASH: 1759513-1  
 MIN. GOLD THICKNESS: PART NUMBER



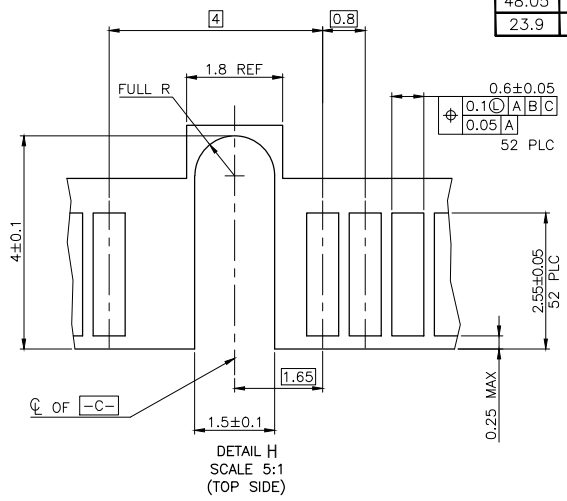
LOC	DIST	REVISIONS					
DW	---	P	LTR	DESCRIPTION	DATE	DWN	APVD
		SEE SHEET 1					



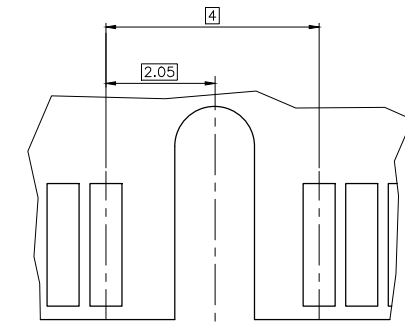
OPTION 1  
FOR HALF-MINI CARD  
(TOP & BOTTOM SIDE)



DIM F	DIM G	
48.05	50.95	FULL-MINI CARD
23.9	26.8	HALF-MINI CARD



DETAIL H  
SCALE 5:1  
(TOP SIDE)



DETAIL K  
SCALE 5:1  
(BOTTOM SIDE)

NOTES:

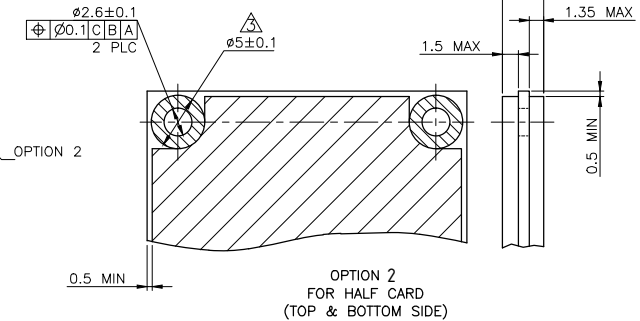
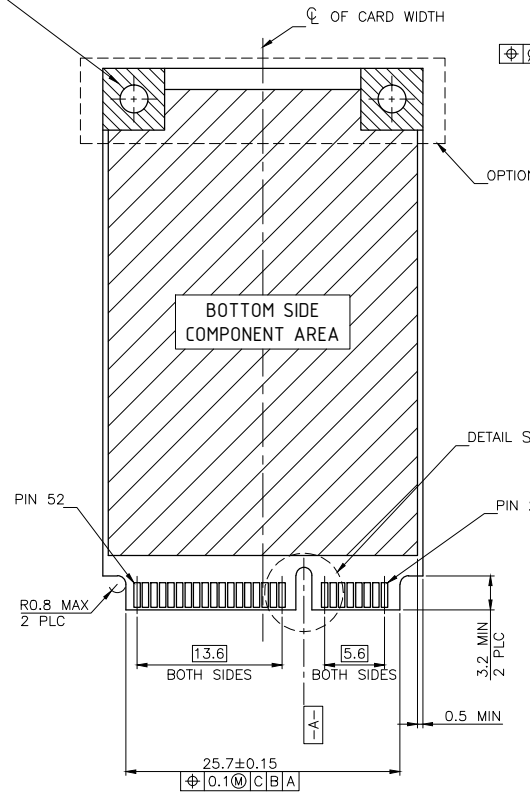
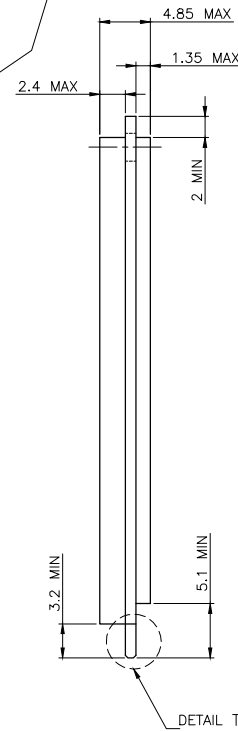
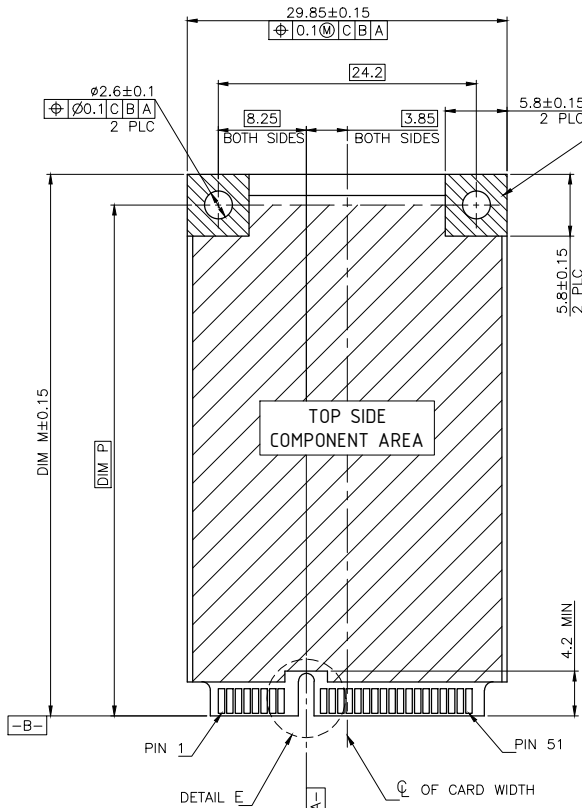
- △ CARD THICKNESS APPLIES ACROSS TABS AND INCLUDES PLATING AND/OR METALLIZATION.
- △ EDGE BEVEL MUST BE PRESENT AND FREE OF CUTTING BURRS FROM PCB AND CONTACT MATERIALS.

FOR PCI EXPRESS MINI CARD

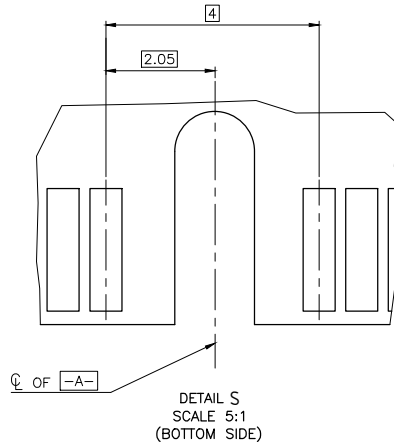
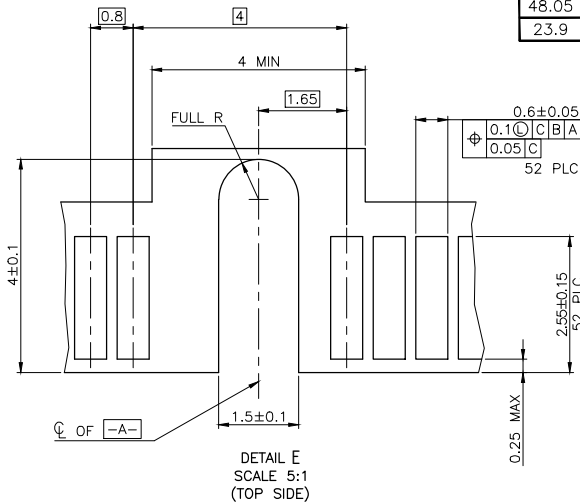
THIS DRAWING IS A CONTROLLED DOCUMENT.		DWN	---	TE Connectivity
DIMENSIONS: MM		CHK	---	
TOLERANCES UNLESS OTHERWISE SPECIFIED:		APVD	---	NAME
0 PLC	±	PRODUCT SPEC	---	2 IN 1 mSATA & PCI EXPRESS MINI CARD CONNECTOR, 9 MM HEIGHT
1 PLC	±	APPLICATION SPEC	---	SIZE
2 PLC	±	WEIGHT	---	A2
3 PLC	±	CUSTOMER DRAWING	---	CAGE CODE
4 PLC	±	SCALE	---	00779
ANGLES	±	SHEET	3 of 5	DRAWING NO
		REV	F1	1759513

LOC	DIST	REVISONS	
DW	-	P LTR	DESCRIPTION
		DATE	DWN
		APVD	
		SEE SHEET 1	

COMPONENT AND ROUTING (ALL LAYERS)  
 KEEP OUT AREA FOR HOLD DOWN SOLUTIONS



DIM P	DIM M	
48.05	50.8	FULL CARD
23.9	26.8	HALF CARD



- NOTES:
- △ CARD THICKNESS APPLIES ACROSS TABS AND INCLUDES PLATING AND/OR METALLIZATION.
  - △ EDGE BEVEL MUST BE PRESENT AND FREE OF CUTTING BURRS FROM PCB AND CONTACT MATERIALS.
  - △ COMPONENT AND ROUTING (TOP/BOTTOM LAYER) KEEP OUT AREA FOR HOLD DOWN SOLUTIONS.

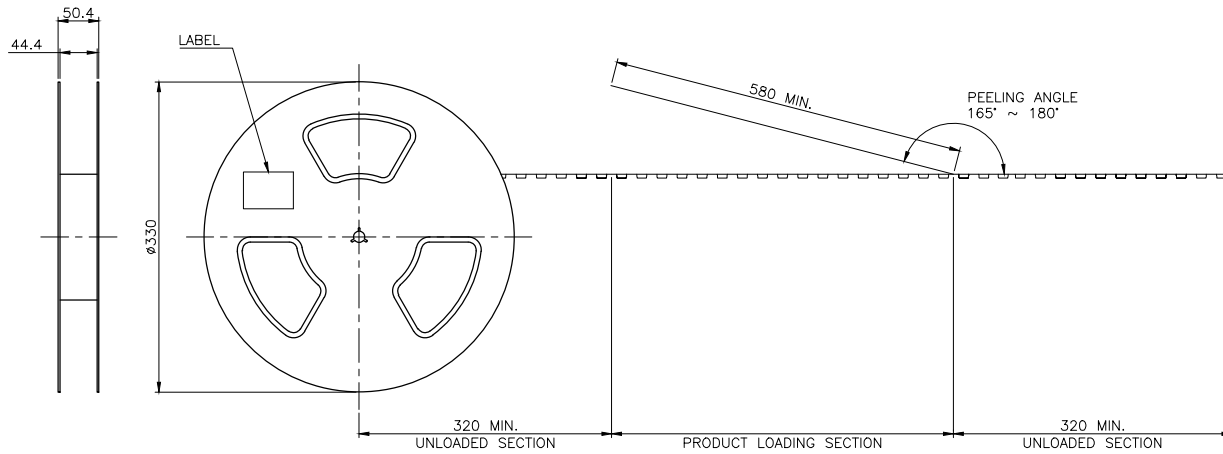
FOR mSATA

THIS DRAWING IS A CONTROLLED DOCUMENT.		DWN	
DIMENSIONS: MM		CHK	
TOLERANCES UNLESS OTHERWISE SPECIFIED:		APVD	
0 PLC	±	NAME	
1 PLC	±	PRODUCT SPEC	
2 PLC	±	APPLICATION SPEC	
3 PLC	±	WEIGHT	
4 PLC	±	CUSTOMER DRAWING	
ANGLES	±	FINISH	

TE Connectivity	
2 IN 1 mSATA & PCI EXPRESS MINI CARD CONNECTOR, 9 MM HEIGHT	
SIZE	CAGE CODE
A2	00779
DRAWING NO	RESTRICTED TO
1759513	
SCALE	SHEET
	4 of 5
REV	F1

THIS DRAWING IS UNPUBLISHED.  
 RELEASED FOR PUBLICATION  
 COPYRIGHT 2011 BY TE CONNECTIVITY. ALL RIGHTS RESERVED.

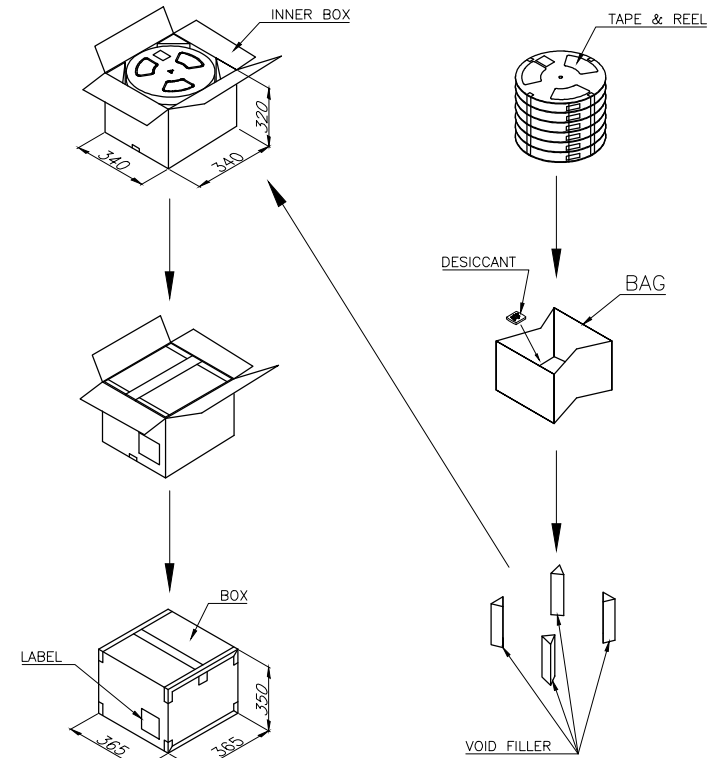
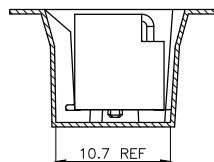
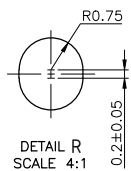
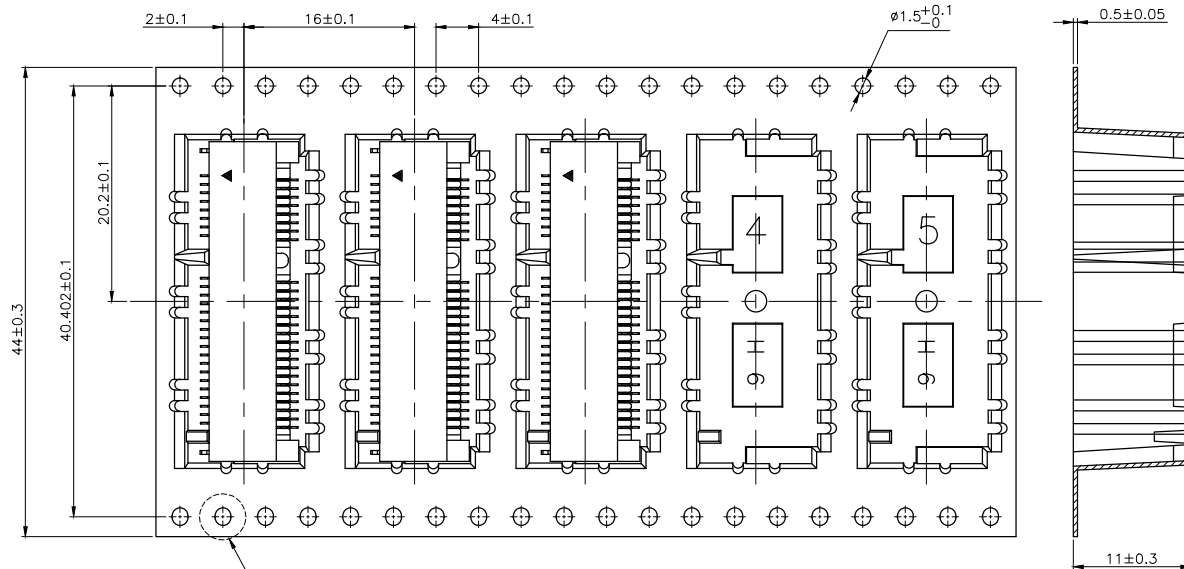
LOC	DIST	REVISIONS			
P	LTR	DESCRIPTION	DATE	DWN	APVD
DW	-	SEE SHEET 1			



NOTES:

- MATERIAL:  
 BOX: FIBREBOARD, CORRUGATED, DOUBLE WALL.  
 COVER TAPE: POLYSTYRENES, TRANSPARENT.  
 CARRIER TAPE: POLYSTYRENES, TRANSPARENT.  
 REEL: HIPS, BLUE COLOR.  
 BAG: POLYETHYLENES, TRANSPARENT.
- EACH BAG SHALL BE INCLUDED DESICCANT.
- PEELING STRENGTH: 0.1 ~ 1.3 N (10 ~ 130 GRAMS).
- PEELING SPEED: 300 mm/min.

USER DIRECTION OF UNREELING



2100	6	350	6.1 Kg	11.1 Kg
PCS/BOX	REELS/BOX	PCS/TAPE	NET WEIGHT	GROSS WEIGHT

THIS DRAWING IS A CONTROLLED DOCUMENT.		DWN	
DIMENSIONS: MM		CHK	
TOLERANCES UNLESS OTHERWISE SPECIFIED:		APVD	
0 PLC	±	PRODUCT SPEC	
1 PLC	±	APPLICATION SPEC	
2 PLC	±	WEIGHT	
3 PLC	±		
4 PLC	±		
ANGLES	±		
MATERIAL		FINISH	
CUSTOMER DRAWING		SIZE	A2
		CAGE CODE	00779
		DRAWING NO	C=1759513
		RESTRICTED TO	
		SCALE	
		SHEET	5 of 5
		REV	F1



2 IN 1 mSATA & PCI EXPRESS  
 MINI CARD CONNECTOR, 9 MM HEIGHT