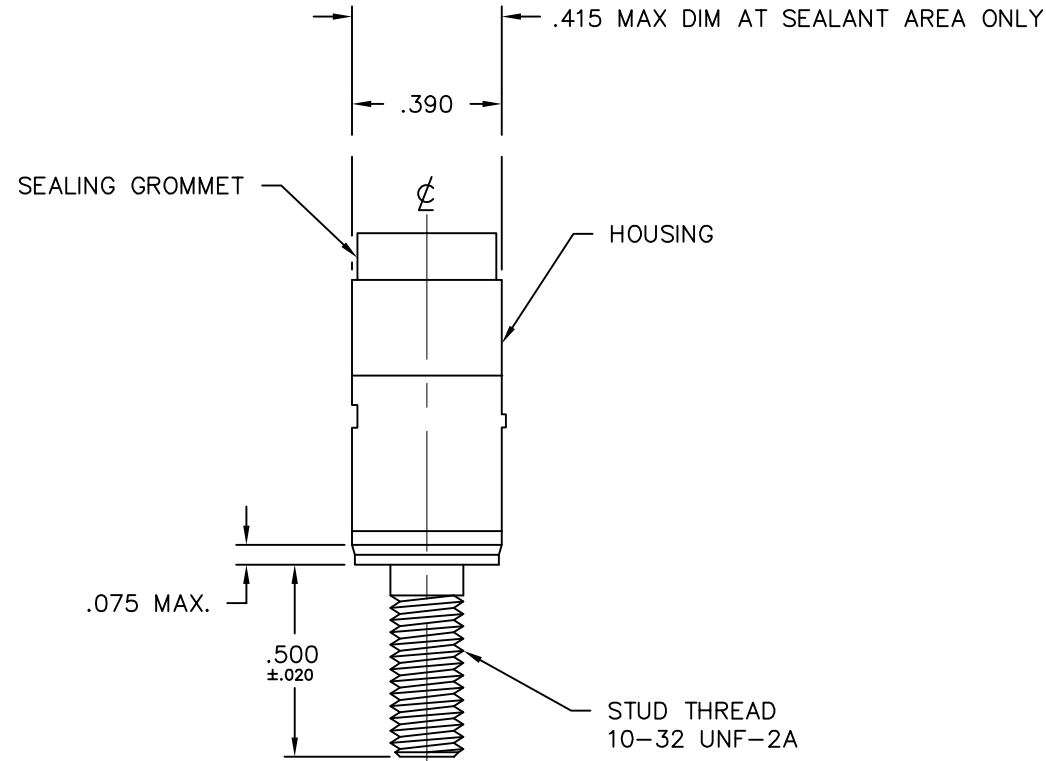
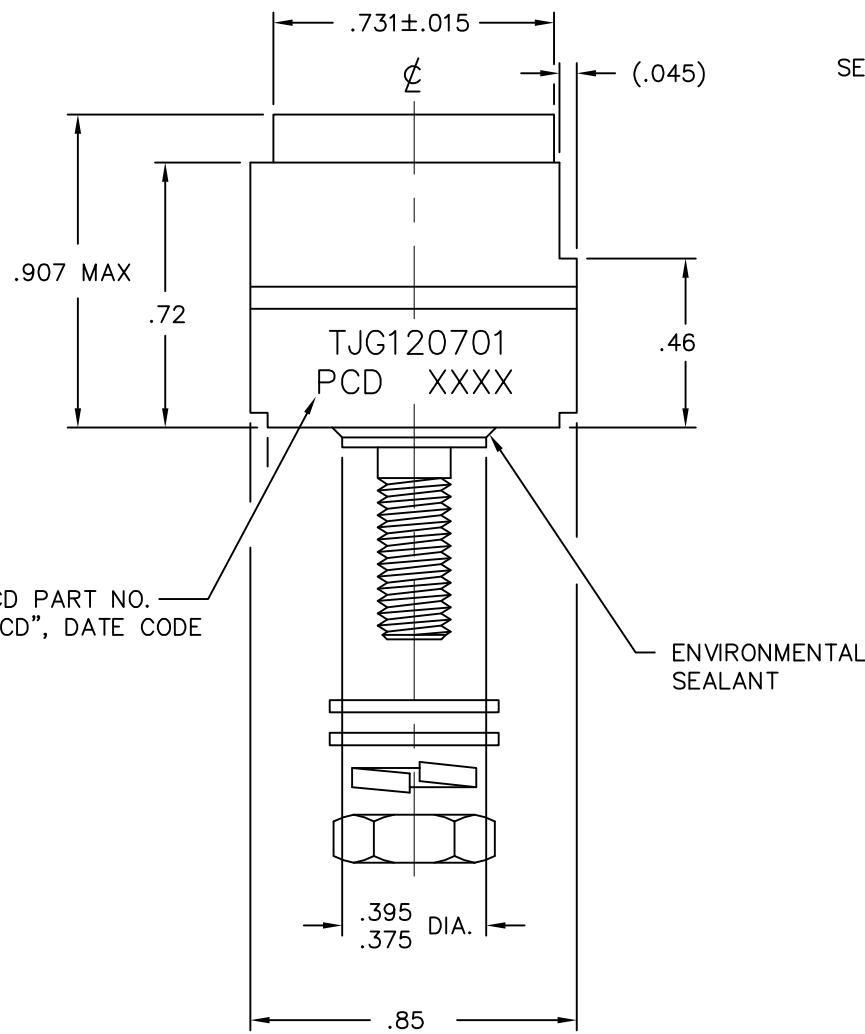
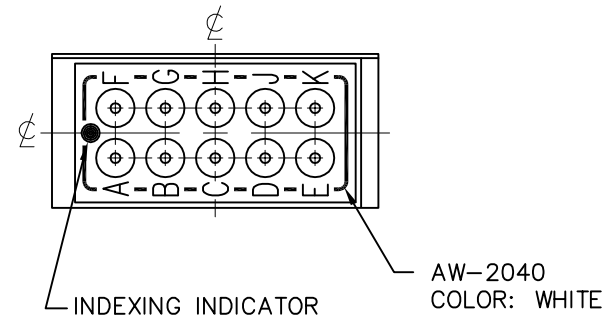


REV	ECN	DESCRIPTION	APP'D
A	2573	UPDATE FORMAT; MAT'L WAS PHENOLIC	JR 3/18/96
B	2874	ADD .415 MAX DIM AT SEALANT ONLY	



NOTES:

- MODULE MEETS ALL REQUIREMENTS OF MIL-T-81714/27, CLASS D, EXCEPT AS SHOWN.
- MODULE ASSEMBLY CONSTRUCTION:
 - HOUSING - POLYETHERIMIDE, COLOR: BLACK.
 - SEALING GROMMET - SILICONE PER ZZ-R-765, COLOR: BLUE.
 - INTERNAL SOCKET CONTACTS - COPPER ALLOY, GOLD PLATED PER MIL-G-45204, TYPE I, GRADE C, CLASS 1.
 - STUD - COPPER ALLOY, GOLD PLATED.
- MODULE MARKING AND IDENTIFICATION IS FLUSH WITH SURFACES, COLOR: WHITE.
- RECOMMENDED EXTERNAL PIN CONTACT SERVICE TOOLS:
 - CRIMP TOOL #M22520/2-01 WITH POSITIONER #M22520/2-11.
 - INSTALLING/REMOVAL TOOL #M18969/14-02, PCD #CNA078001.
- MODULE ACCEPTS:
 - MATING PIN CONTACTS #M39029/1-101, PCD #CNP006000.
 - SEALING PLUGS #MS27488-20, PCD #CNA032401.
- (11) PIN CONTACTS AND (2) SEALING PLUGS SUPPLIED WITH EACH MODULE (PER NOTE 5).
- MOUNTING HARDWARE SUPPLIED WITH EACH MODULE:
 - FLAT WASHERS PER AN-960-10L.
 - LOCK WASHER PER MS35338-43.
 - NUT PER MS35650-304.

DIMENSIONS	TOLERANCES	PROJECTION	REFERENCE SPECIFICATION	TITLE	
ANSI Y14.5M UNITS: INCHES ACAD FILE	.XX ±.01 .XXX ±.005 ANGLES ±2°		REF MIL-T-81714/27	GROUND MODULE TERMINAL JUNCTION SIZE 20/22	
ORIGINAL NOT FOR CUSTOMER DISTRIBUTION	THIS DOCUMENT CONTAINS PROPRIETARY INFORMATION WHICH IS THE CONFIDENTIAL PROPERTY OF PCD, INC. PEABODY, MA, USA	ENGR	DRWN A. PATRIE 3/7/94	SIZE B	DWG NO. TJG120701
		APPD		CODE: 58982	SCALE: 2X
					SHEET 1 OF 1