

TO HOLD SHR-20 & SHR-25
SLIT HARNESS WRAP



SHR-C1



SHR-C2/SHR-C3



SHR-C4

REV	MODIFICATION	DATE	DRN
01	SALES DRAWING	31/05/07	I.C
02	ECN07-179	08/10/07	I.C
03	C.O. 2010075	28/02/08	I.C
04	C.O. 2010214	08/05/08	S.F
05	C.O. 2010227	13/05/08	S.F
06	C.O. 2010266	25/06/08	I.C
07	C.O. 2010427	07/10/08	S.F

NOTES:

- PARTS AVAILABLE IN SILVER AND WHITE BY SPECIAL ORDER.

RECOMMENDED ORIENTATION OF CLIP
WHEN MOUNTED HORIZONTALLY

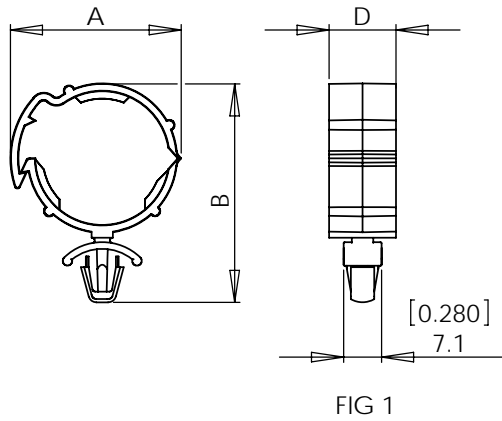
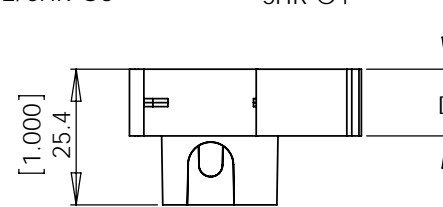


FIG 1

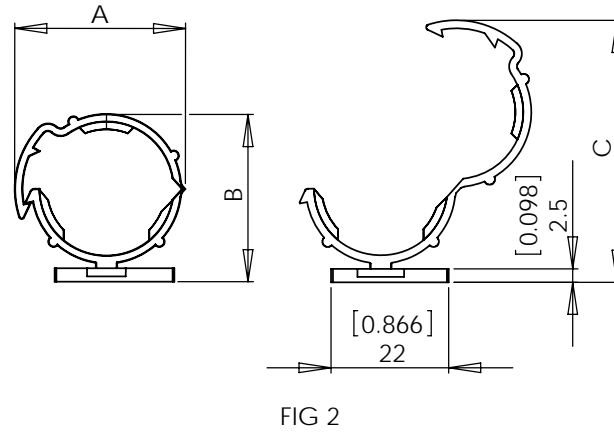
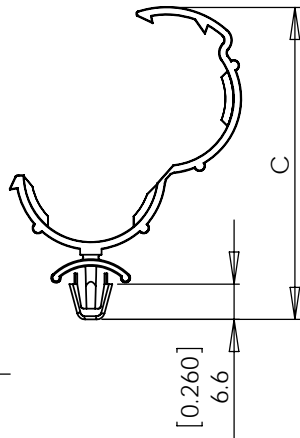


FIG 2

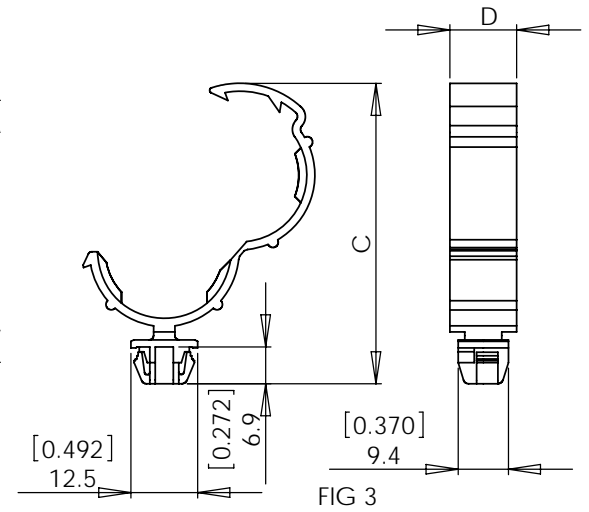


FIG 3

PART No.	A	B	C	D	MOUNTING	COLOUR	FIG
SHR-C1	29 REF [1.14]	42.5 REF [1.67]	58 REF [2.28]	12.5 [0.49]	SNAP LOCK INTO A $\phi 6.4 \pm 0.05$ HOLE [0.252 \pm 0.002] PANEL THICKNESS 0.8 - 2mm [0.031 - 0.079]	BLACK	1
SHR-C2	30 REF [1.18]	32.5 REF [1.28]	47 REF [1.85]	12.5 [0.49]	MOUNT WITH #8 OR M4 SCREW	BLACK	2
SHR-C3	30 REF [1.18]	32.5 REF [1.28]	47 REF [1.85]	12.5 [0.49]	0.8 THICK DOUBLE SIDED TAPE (RMS-375)	BLACK	
SHR-C4	30 REF [1.18]	40.5 REF [1.63]	56 REF [2.21]	12.5 [0.49]	SNAP LOCK INTO A 9.5 ± 0.8 SQUARE HOLE PANEL THICKNESS 0.8 - 2mm [0.031 - 0.079]	BLACK	3

INFORMATION CONTAINED IN THIS DOCUMENT IS CONFIDENTIAL TO RICHCO INTERNATIONAL Co. Ltd. AND MAY NOT BE DISCLOSED OR REPRODUCED IN WHOLE OR PART WITHOUT THEIR WRITTEN CONSENT.

Richco ALL DIMENSIONS ARE IN mm
GENERAL TOLERANCES ± 0.25
1 DECIMAL PLACE \pm
2 DECIMAL PLACES \pm
ANGULAR $\pm 1^\circ$

MATERIAL: NYLON 6/6 UL 94 V-2 (RMS-01) COLOUR: SEE TABLE

DESCRIPTION: SLIT HARNESS WRAP CLIP PART No: SEE TABLE

DRG No: 2007-046 NPR No: 2006-199 MASS: 3.5g SHEET SIZE: A3

DRN: I.C DATE: 11/06/07 CHKD: SF DATE: 27/09/07 SCALE: 1:1 SHEET No: 1 OF 1