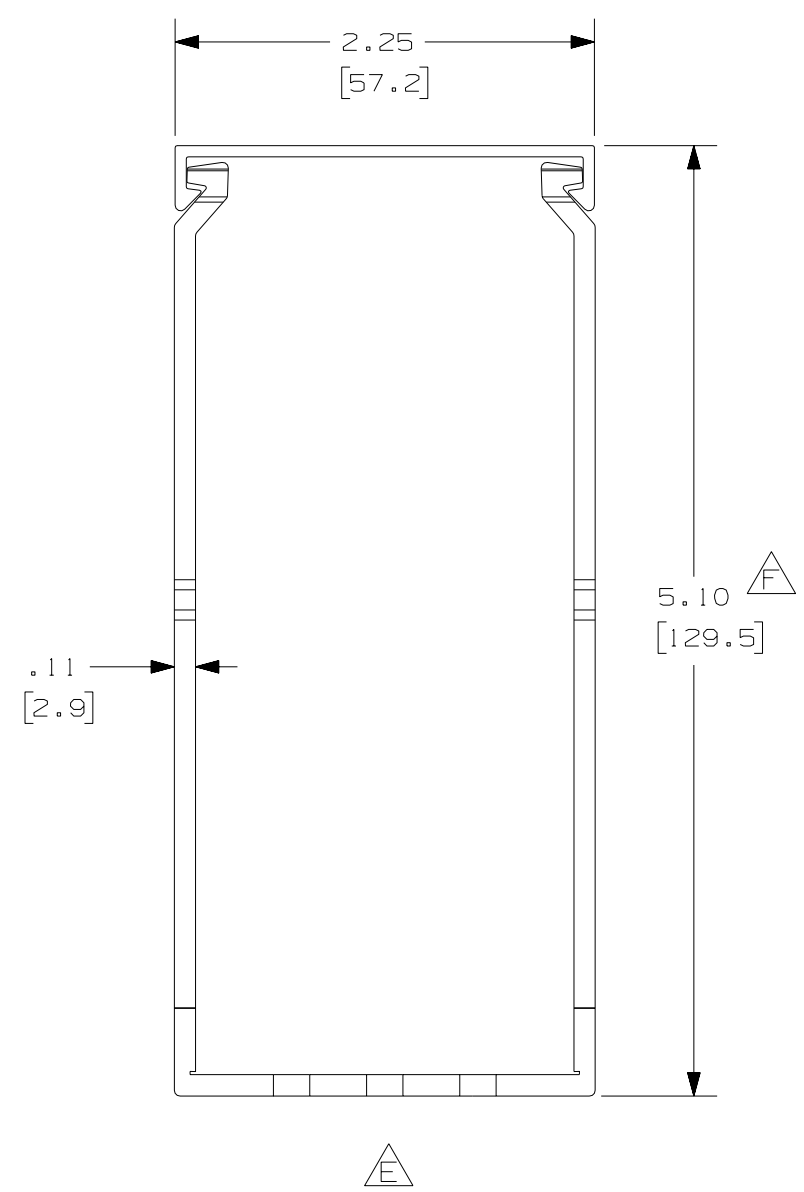
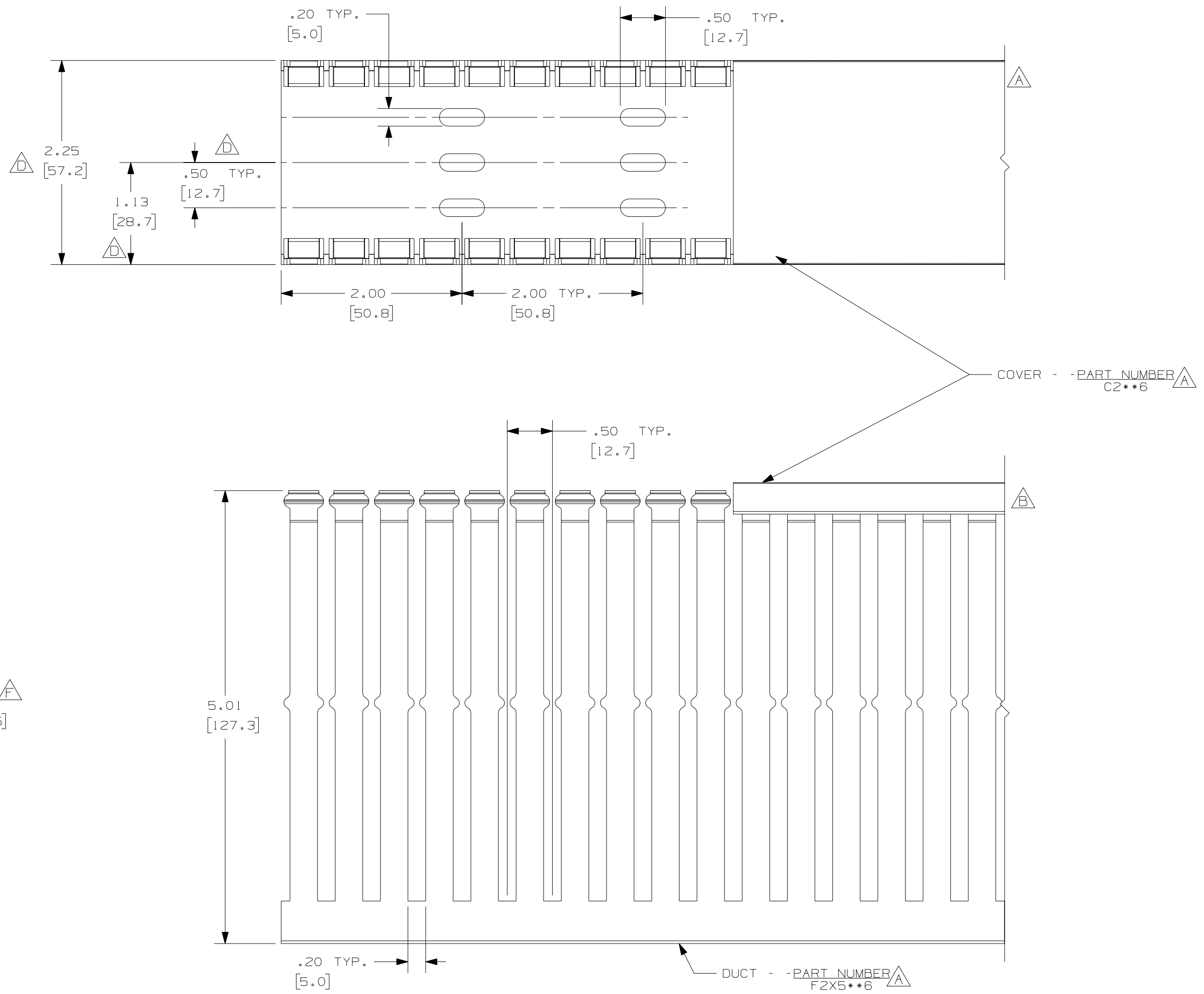


THIS COPY IS PROVIDED ON A RESTRICTED BASIS AND IS NOT TO BE USED IN ANY WAY DETRIMENTAL TO THE INTERESTS OF PANDUIT CORP.



**A** **G**

- NOTES:
1. ALL DIMENSIONS ARE REFERENCE ONLY.
  2. DIMENSIONS IN PARENTHESIS ARE METRIC.
  3. THE \*\* DENOTE COLOR.
  4. DUCT AND COVER ARE AVAILABLE IN 6 FT [1828.8] LENGTHS.

REV	DATE	BY	CHK	DESCRIPTION
--	-----	---	---	G. ADDED LENGTH NOTE F. CORRECTED DIMENSION
2	7-23-07	JCSTMKBE		E. DELETED DIMENSION D. ADDED DIMENSIONS
--	-----	---	---	C. CHANGED DRAWING SIZE
1	9-24-04	JCSTMKBE		B. CHANGED VIEW A. ADDED TOP VIEW, NOTES, AND LABELS
R	6-23-03	JHNU	JGG	DRAWING RELEASED

CAD FILENAME/LAYERS		D11000CM_DC/00C	
<b>PANDUIT</b> CORP., TINLEY PARK, ILLINOIS			
WIRING DUCT - TYPE F WITH COVER 2 X 5 MARKETING DRAWING			
DRWN BY JHNU	MAT'L: PVC	SCALE FULL	DWG C
DATE 6-23-03	CHECKED BY JGG	DRAWING NO. 36897-775	SIZE C

**C**