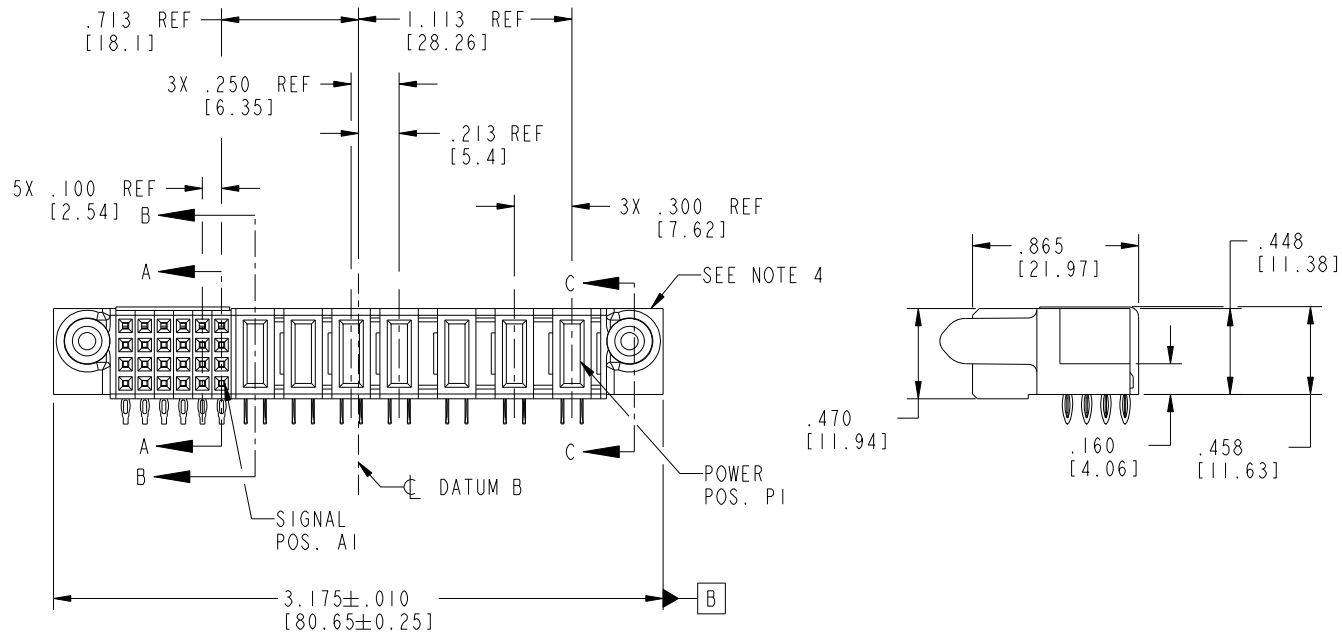
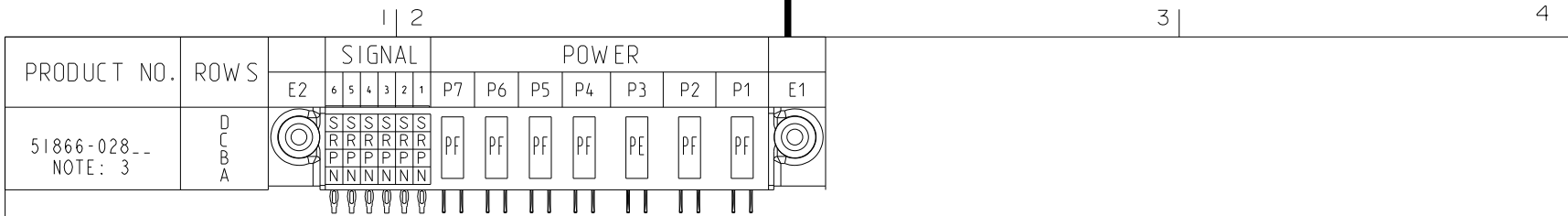


Tous droits strictement réservés. Reproduction ou communication a des tiers interdite sous quelque forme que ce soit sans autorisation écrite du propriétaire. Propriété de c FCI. Droits de reproduction FCI.

All rights strictly reserved. Reproduction or issue to third parties in any form whatever is not permitted without written authority from the proprietor. Property of FCI. Copyright FCI.



CODE	DIM "M" MATING LENGTH	CONTACT TYPE
N	N/A [N/A]	SIGNAL
P	N/A [N/A]	SIGNAL
R	N/A [N/A]	SIGNAL
S	N/A [N/A]	SIGNAL
PE	.042 [1.07]	POWER
PF	.092 [2.34]	POWER

mat'l code SEE NOTE 2				tolerances unless otherwise specified		CUSTOMER		 www.fciconnect.com	
ltr	ecn no.	dr	date	linear	.XX±.01/0.X±0.3	COPY		title	
A	V04-0965	TAB	09/30/04		.XXY±.005/0.XX±0.13	projection		3ACP + 4P + 24S	
B	DG05-0570	GuoJM	12/27/05		.XXX±.0020/0.XXX±0.051			R/A PRESS-FIT RECEPTACLE	
C	DG08-0251	W D	09/16/08	angles	0°±2°			product family PwrBlade code	
				dr	T. BRUNGARD 09/30/04	INCH/MM		size	
				enrg	M. GRAY 09/30/04	scale		dwg no	
				chr	M. GRAY 09/30/04	1:1		A 51866-028	
				oppd	M. GRAY 09/30/04			sheet	
sheet index	revision sheet	C 1	C 2	C 3	C 4			1 of 4	

Pro/E

PDM: Rev: C

STATUS: Released

Printed: Dec 20, 2010

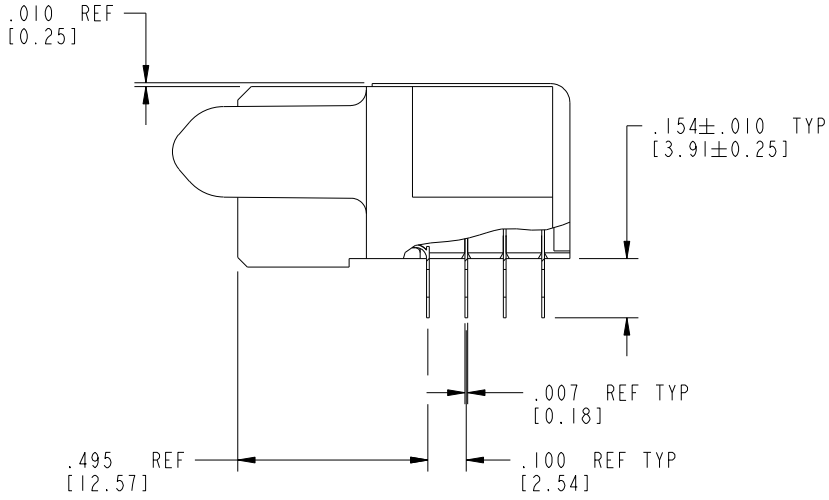
cage code 2856

Tous droits strictement réservés. Reproduction ou communication a des tiers interdite sous quelque forme que ce soit sans autorisation écrite du propriétaire. Propriété de c FCI. Droits de reproduction FCI.

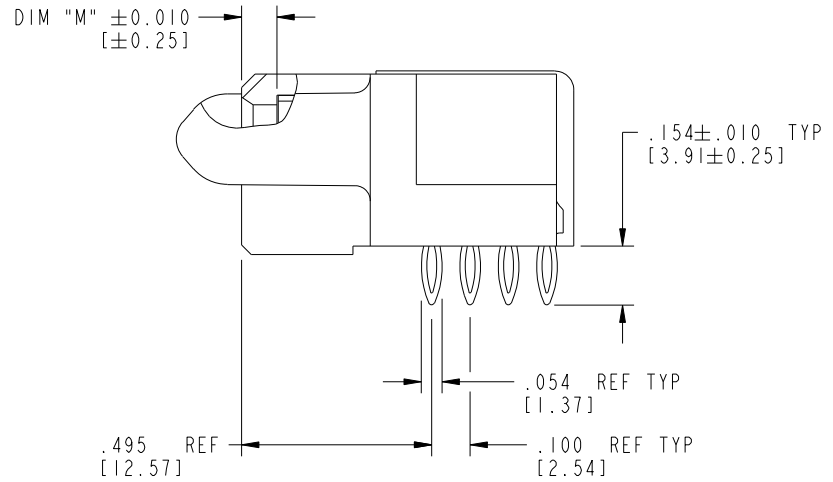
All rights strictly reserved. Reproduction or issue to third parties in any form whatever is not permitted without written authority from the proprietor. Property of FCI. Copyright FCI.



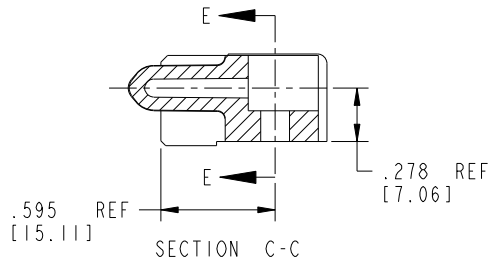
PRODUCT NUMBER  
51866-028\_\_  
NOTE: 3



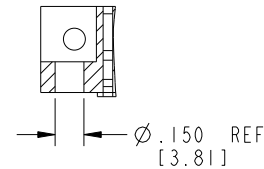
BROKEN-OUT SECTION A-A  
SCALE 2:1



BROKEN-OUT SECTION B-B  
SCALE 2:1



SECTION C-C



PARTIAL SECTION E-E

mat'l code		SEE NOTE 2		tolerances unless otherwise specified		CUSTOMER		 www.fciconnect.com	
lfr	ecn no.	dr	date	linear	.XX±.01/0.X±0.3	COPY		title	
C					.XXY±.005/0.XX±0.13	projection		3ACP + 4P + 24S	
				angles	.XXX±.002/0.XXX±0.051			R/A PRESS-FIT RECEPTACLE	
					0°±2°			product family	
				dr	T. BRUNGARD 09/30/04	INCH/MM		PwrBlade	
				enr	M. GRAY 09/30/04	scale		code	
				chr	M. GRAY 09/30/04	1:1		213	
				appd	M. GRAY 09/30/04			sheet	
sheet index		revision sheet						A 51866-028	
								2 of 4	

cage code 2856

Pro/E

PDM: Rev: C

STATUS: Released

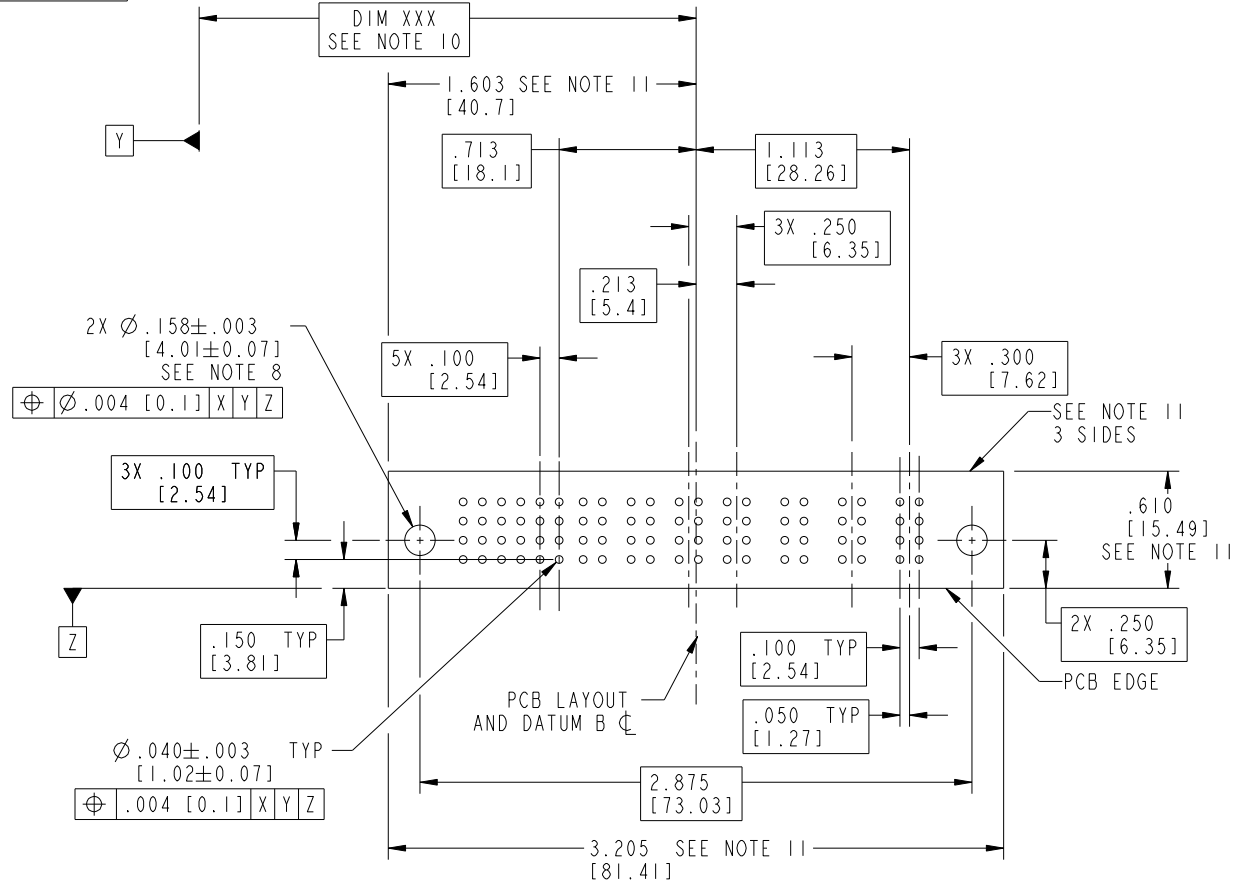
Printed: Dec 20, 2010

Tous droits strictement réservés. Reproduction ou communication a des tiers interdite sous quelque forme que ce soit sans autorisation écrite du propriétaire. Propriété de c FCI. Droits de reproduction FCI.



All rights strictly reserved. Reproduction or issue to third parties in any form whatever is not permitted without written authority from the proprietor. Property of FCI. Copyright FCI.

PRODUCT NUMBER  
51866-028\_\_  
NOTE: 3



RECOMMENDED PCB LAYOUT

mat'l code		SEE NOTE 2		tolerances unless otherwise specified		CUSTOMER		FCI	
ltr	ecn no.	dr	date	linear	.XX±.01/0.X±0.3	COPY		www.fciconnect.com	
C				angles	.XX±.005/0.XX±0.13 .XXX±.0020/0.XXX±0.051	projection		title 3ACP + 4P + 24S R/A PRESS-FIT RECEPTACLE	
				dr	0°±2°	INCH/MM		product family PwrBlade code 213	
				enr	T. BRUNGARD 09/30/04	scale		size dwg no 51866-028 sheet 3 of 4	
				chr	M. GRAY 09/30/04	1:1			
				appd	M. GRAY 09/30/04				
sheet index	revision sheet								

cage code 28536

Pro/E

PDM: Rev: C

STATUS: Released

Printed: Dec 20, 2010

PRODUCT NUMBER

51866-028\_\_  
NOTE: 3

NOTES:

1. DIMENSIONS AND TOLERANCES ARE IN ACCORDANCE WITH ASME Y14.5M, 1994 UNLESS OTHERWISE SPECIFIED.

CONNECTOR NOTES:

2. HOUSING MATERIAL: UL 94 V-0 GLASS FILLED HIGH-TEMP THERMOPLASTIC  
POWER CONTACT MATERIAL: COPPER ALLOY  
SIGNAL PIN MATERIAL: COPPER ALLOY

3. SEE ITEM 7 & 8 IN PRINT 10064183 FOR PLATING SPEC OF 51866-028 AND 51866-028LF RESPECTIVELY.

4. MANUFACTURER'S NAME, P/N, AND DATE CODE TO APPEAR ON THIS SURFACE.

5. PRODUCT SPECIFICATION GS-12-149.  
APPLICATION SPECIFICATION BUS-20-067.

6. PACKAGED IN TRAYS.

PCB NOTES:

7. ALL HOLE DIAMETERS ARE FINISHED HOLE SIZE.

8. MOUNTING HOLES, WHERE APPLICABLE, ARE UNPLATED.

9.  $\varnothing .0453 \pm .0010$  [1.151  $\pm$  0.025] DRILLED HOLES PLATED WITH  
.0003 [0.008] MIN SnPb OVER .001 [0.03]  
TO .003 [0.08] Cu PLATING TO ACHIEVE  
 $\varnothing .040 \pm .003$  [1.02  $\pm$  .07] HOLE.

10. "DIM XXX" TO BE DETERMINED BY THE CUSTOMER.

11. CONNECTOR KEEP-OUT ZONE.

12. USE FCI CAM TOOL 430140-041  
TO APPLY CONNECTOR TO PCB.

13. A  $\Delta$  SYMBOL WILL BE NEXT TO ANY DIMENSION, VIEW, OR NOTE WHICH HAS BEEN MODIFIED WITH THE CURRENT DRAWING REVISION.

mat'l code		SEE NOTE 2		tolerances unless otherwise specified		CUSTOMER		FCI	
ltr	ecn no.	dr	date	linear	.XX $\pm$ .01 / 0.X $\pm$ 0.3	COPY		www.fciconnect.com	
C				projection	.XXX $\pm$ .005 / 0.XX $\pm$ 0.13			title 3ACP + 4P + 24S R/A PRESS-FIT RECEPTACLE	
				angles	.XXX $\pm$ .0020 / 0.XXX $\pm$ 0.051			product family PwrBlade code 213	
				dr	0° $\pm$ 2°	INCH/MM		size dwg no 51866-028 sheet 4 of 4	
				enrg	T. BRUNGARD 09/30/04	scale 1:1			
				chr	M. GRAY 09/30/04				
				appd	M. GRAY 09/30/04				
sheet index		revision sheet							

Tous droits strictement réservés. Reproduction ou communication a des tiers interdite sous quelque forme que ce soit sans autorisation écrite du propriétaire. Propriete de c FCI. Droits de reproduction FCI.



All rights strictly reserved. Reproduction or issue to third parties in any form whatever is not permitted without written authority from the proprietor. Property of FCI. Copyright FCI.