

C5750C0G2W104J280KA

TDK Item Description : C5750C0G2W104JT****

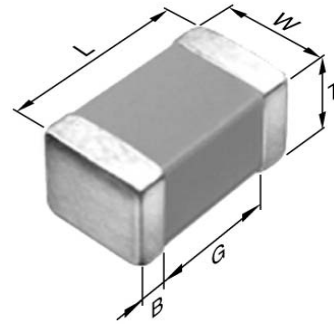


Application & Main Feature

Commercial Grade (Mid Voltage (100 to 630V))

Series

C5750 [EIA CC2220]



Dimensions

L 5.70mm +/-0.4mm
 W 5.00mm +/-0.4mm
 T 2.80mm +/-0.3mm
 B 0.20mm Min.
 G

Temperature Characteristic

C0G (-55 to 125 degC 0+/-30ppm/degC)

Rated Voltage

2W (450Vdc)

Capacitance

100nF

Capacitance Tolerance

J (+/-5%)

Q Factor

1000 Min.

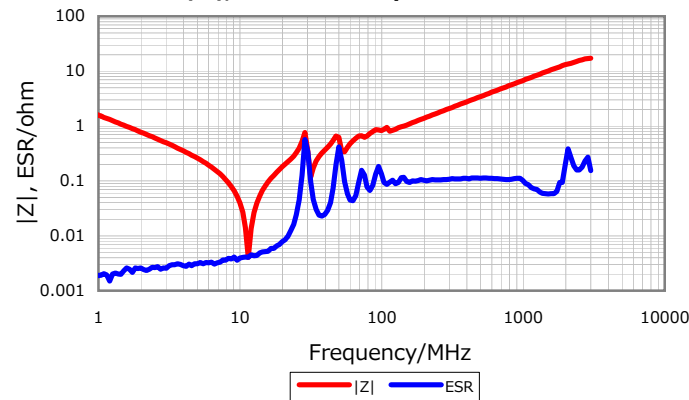
Insulation Resistance

5Gohm Min.

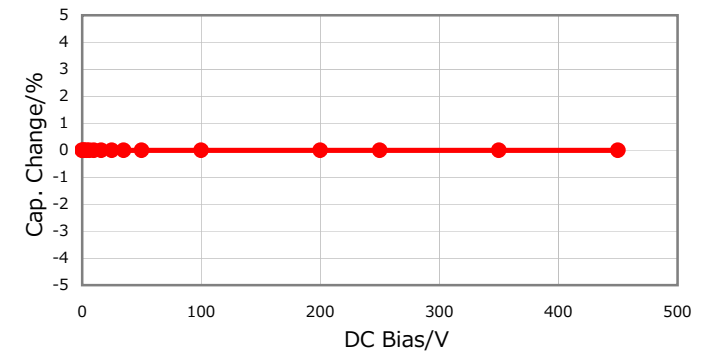
AEC-Q200

Not Applicable

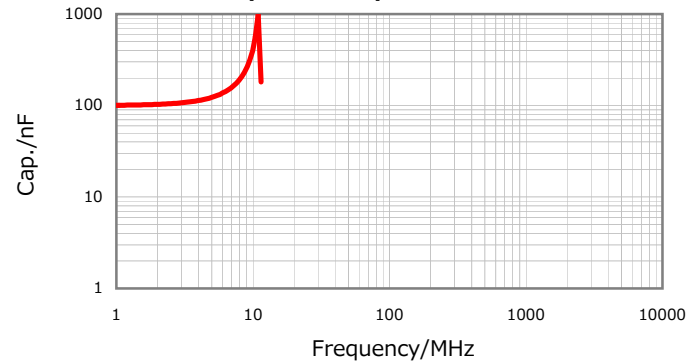
|Z|, ESR vs. Freq. Characteristics



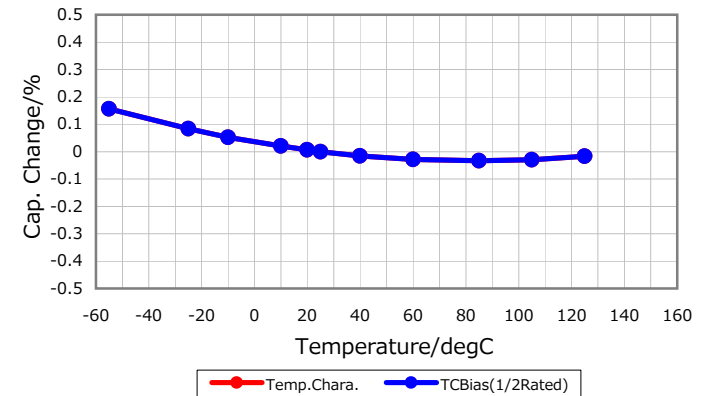
DC Bias Characteristic



Cap. vs. Freq. Characteristic



Temperature Characteristics



Characterization Sheet (Multilayer Ceramic Chip Capacitors)



All specifications are subject to change without notice.

January 4, 2016