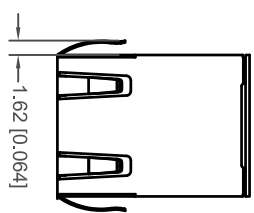
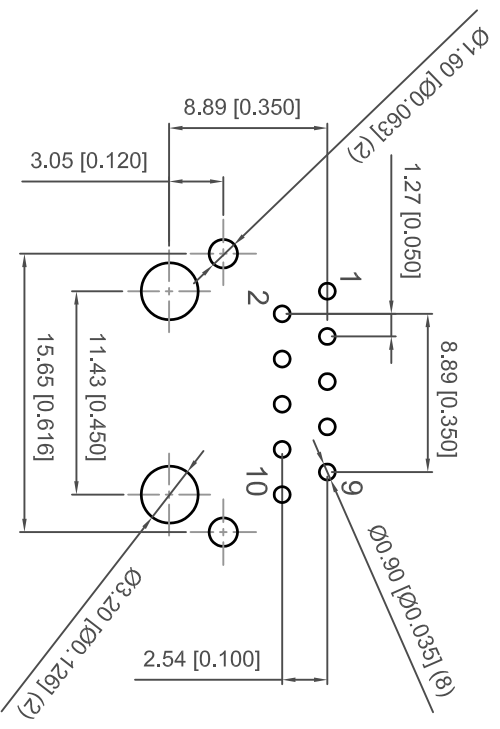
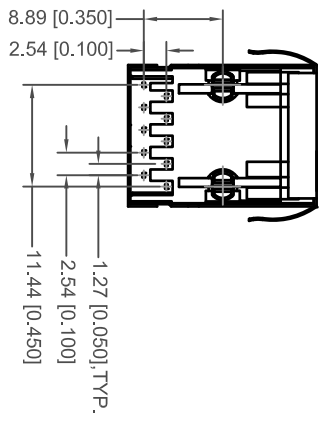
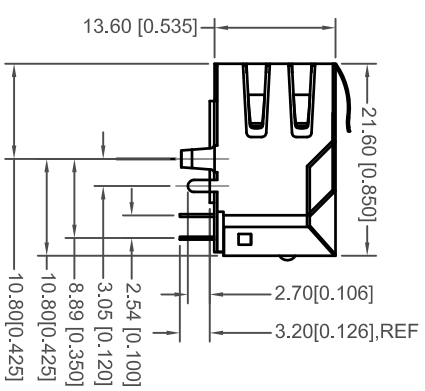
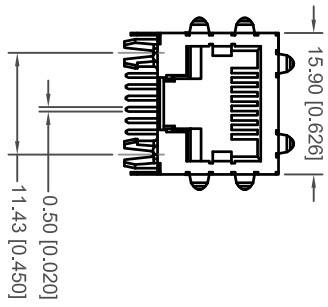
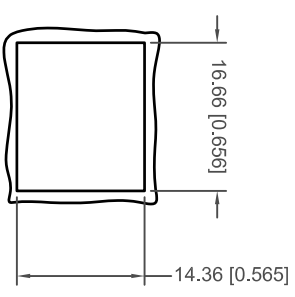


TOLERANCE UNLESS OTHERWISE SPECIFIED IN MM:  
 0 ±0.50  
 0.0 ±0.38  
 0.00 ±0.25  
 0.000 ±0.10

THIS IS A C.A.D. GENERATED DRAWING  
 DO NOT MAKE MANUAL REVISIONS TO MASTER.



RECOMMENDED  
 PANEL CUTOUT DIMENSION



RECOMMENDED P.C.B. LAYOUT  
 TOLERANCE: ±0.05[±0.002]

- NOTES:  
 1. MATERIALS:  
 HOUSING: PBT WITH GLASS FIBER, UL94 V-0. COLOR: BLACK  
 CONTACTS: 0.35MM PHOSPHOR BRONZE PLATED WITH GOLD PLATING AND TIN IN SOLDER AREA

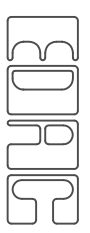
- PART NO GOLD PLATING THICKNESS  
 A60-112-300P432 GOLD FLASH PLATING  
 A60-113-300P432 15 MICRO INCHES OF GOLD  
 A60-114-300P432 30 MICRO INCHES OF GOLD

- SHIELD: 0.20MM COPPER ALLOY WITH NICKEL PLATING  
 2. OPERATING TEMPERATURE: 0°C TO +70°C  
 3. MATE WITH MODULAR PLUG CONFORMING TO FCC PART 68, SUBPART F.  
 4. DIMENSION: MM [INCHES]

RJ45 MAGNETIC JACK WITHOUT LED, 10P, 8C  
 SHIELDED/10/100/1000 Mbps FILTER



THIS SERIES FULLY CONFORMS TO THE EUROPEAN UNION DIRECTIVES 2002/95/EC AND 2002/96/EC FOR ROHS COMPLIANCY.



EDAC INC  
 TORONTO, ONTARIO  
 CANADA

YOUR CONNECTION TO QUALITY & SERVICE

THESE DRAWINGS AND SPECIFICATIONS ARE THE PROPERTY OF EDAC INC. AND SHALL NOT BE REPRODUCED OR COPIED OR USED AS THE BASIS FOR THE MANUFACTURE OR SALE OF APPARATUS WITHOUT WRITTEN PERMISSION.

ACAD REFERENCE NO.: A60-113-300P432

DRAWN: R.STA.MONICA DATE: NOV.19/2010

CHECKED: DATE:

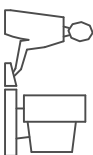
PART NUMBER SEE NOTE SHEET 1 OF 2

DRAWING NUMBER A60-112-300P432 ISSUE 1

ELECTRICAL CIRCUIT:

TOLERANCE UNLESS OTHERWISE SPECIFIED IN MM:	ANGLE
0	3°
0.0	
0.00	
0.000	

THIS IS A C.A.D. GENERATED DRAWING  
DO NOT MAKE MANUAL REVISIONS TO MASTER.

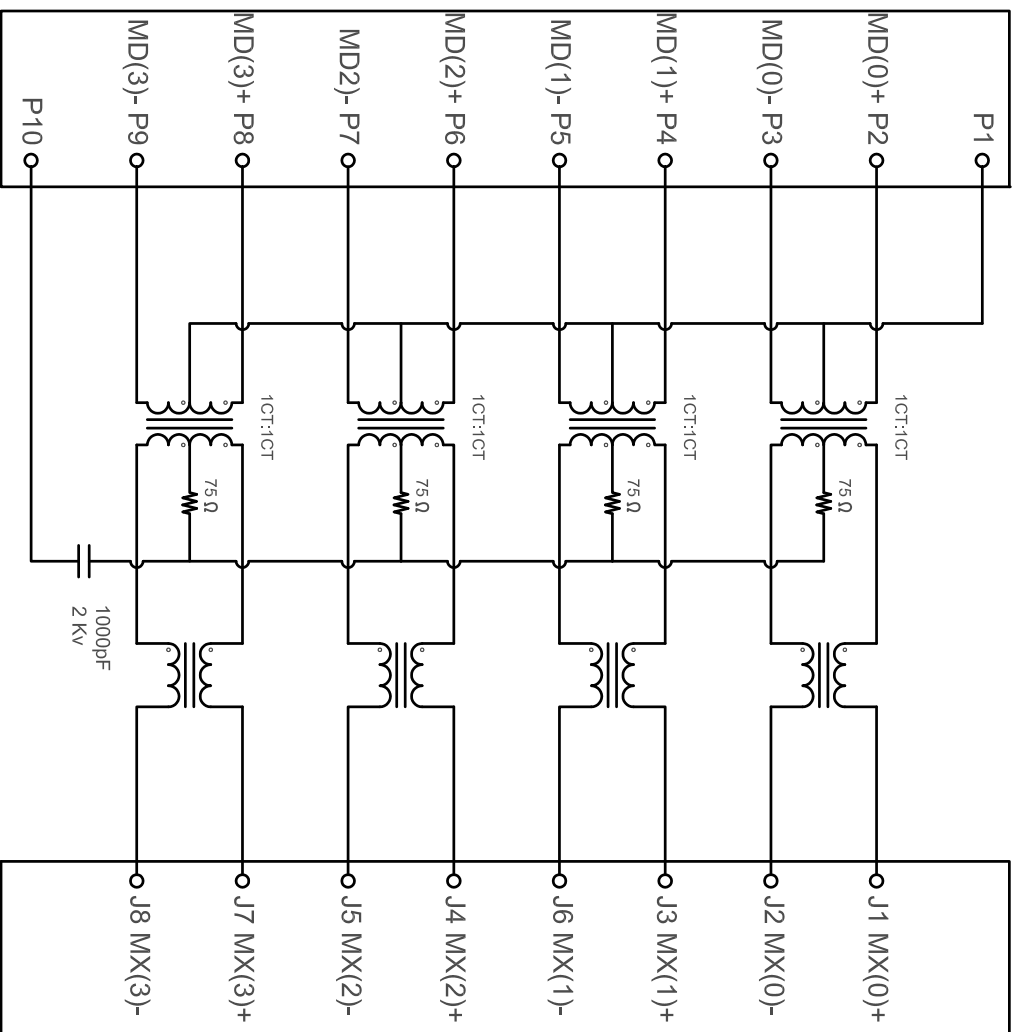


ISSUE NUMBER  
ORIGINAL

1

CONNECTOR SOLDER SIDE

RJ45 CONTACT SIDE



TEST NOTES:(25°±5°C)

1. TR:(100KHz,0.1V): 100%  
PINS:(P2,P3):(J1,J2)=1:1±3%:(P4,P5):(J3,J6)=1:1±3%  
PINS:(P6,P7):(J4,J5)=1:1±3%:(P8,P9):(J7,J8)=1:1±3%
2. LX:(100KHz,100mV,8mA, DC Bias) 100%  
PINS:(P2,P3),(P4,P5),(P6,P7),(P8,P9)=350uH MINIMUM
3. DCR: 100%  
PINS:(J1,J2),(J3,J6),(J4,J5),(J7,J8)=1.2 MAXIMUM
4. HIPOT: 100%  
PINS:(P2,P3)TO(J1,J2),(P4,P5)TO(J3,J6)=1500VAC FOR 2 SECONDS  
PINS:(P6,P7)TO(J4,J5),(P8,P9)TO(J7,J8)=1500VAC FOR 2 SECONDS
5. INSERTION LOSS:  
-1.0dB MAXIMUM AT 1 MHz TO 100MHZ:
6. RETURN LOSS:  
-20dB MINIMUM AT 1MHZ TO 30MHZ;  
-15dB MINIMUM AT 30MHZ TO 60MHZ  
-10dB MINIMUM AT 60MHZ TO 80MHZ
7. CROSS TALK:  
-30dB MINIMUM AT 0.1MHZ TO 100MHZ
9. COMMON TO COMMON MODE REJECTION:  
-30dB MINIMUM AT 300KHz TO 100MHZ

RJ45 MAGNETIC JACK WITHOUT LED, 10P, 8C  
SHIELDED/10/100/1000 Mbps FILTER

ACAD REFERENCE NO.: A60-113-300P432

DRAWN: R.STA.MONICA DATE: NOV.19/2010

CHECKED: DATE:

PART NUMBER

SEE NOTE

SHEET 2 OF 2

DRAWING NUMBER

A60-112-300P432

ISSUE

1



THIS SERIES FULLY CONFORMS TO THE  
EUROPEAN UNION DIRECTIVES 2002/95/EC  
AND 2002/96/EC FOR ROHS COMPLIANCY.



EDAC INC  
TORONTO, ONTARIO  
CANADA

YOUR CONNECTION TO QUALITY & SERVICE