

MATERIALS AND FINISHES

BODY ZINC ALLOY  
PLATED NICKEL

CENTER CONTACT PHOSPHOR BRONZE  
PLATED GOLD

INSULATOR POLYPROPYLENE

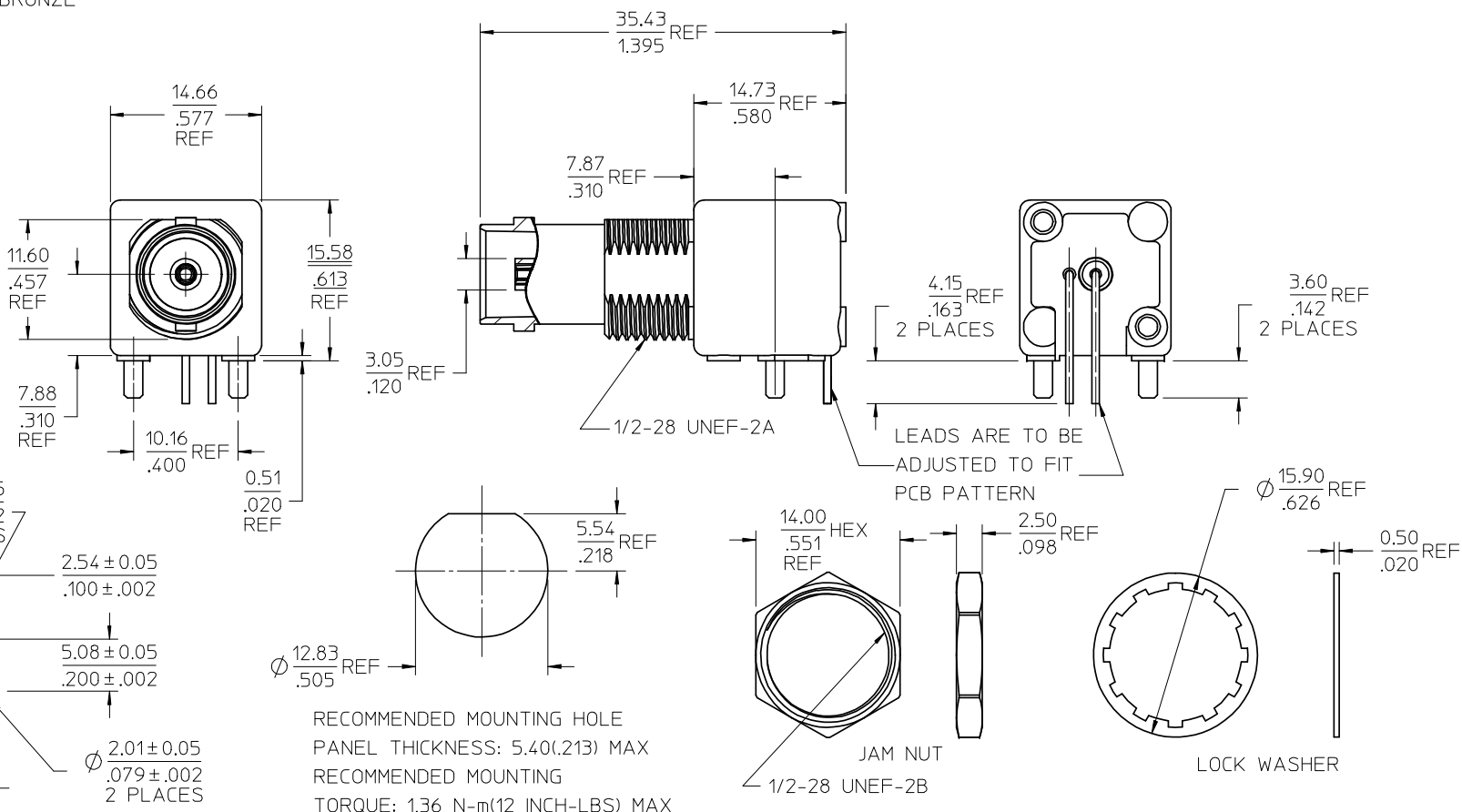
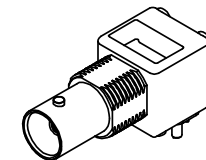
MOUNTING POST BRASS  
PLATED TIN

SOLDER TAIL STEEL  
PLATED TIN

WASHER PHOSPHOR BRONZE  
PLATED NICKEL

JAM NUT BRASS  
PLATED NICKEL

BNC JACK  
75 OHM  
INTERFACE



RECOMMENDED PCB HOLE

RECOMMENDED MOUNTING HOLE  
PANEL THICKNESS: 5.40(.213) MAX  
RECOMMENDED MOUNTING  
TORQUE: 1.36 N-m(12 INCH-LBS) MAX

LEADS ARE TO BE  
ADJUSTED TO FIT  
PCB PATTERN

JAM NUT

LOCK WASHER

PS-73598-0051

PRODUCT SPECIFICATION

SPECIFICATION

DESCRIPTION

73171-3020	73100-0080, ONE PER BAG
73100-0080	TRAY PACK
PART NO.	PACKAGING

CHG: ADD 14.73 REF AND 7.87 REF	DESCRIPTION
EC NO: URF2008-0413	2008/02/08
DRWN: WIENER	2008/02/08
CHKD: SHAH	2008/02/08
APPR: WIENER	2008/02/11
REV: B2	

GENERAL TOLERANCES (UNLESS SPECIFIED)	
4 PLACES ±	---
3 PLACES ±	---
2 PLACES ±	---
1 PLACE ±	---
ANGULAR ± 2 °	
DRAFT WHERE APPLICABLE MUST REMAIN WITHIN DIMENSIONS	

DIMENSION STYLE MM/IN	
DRAWN BY	DATE
CHECKED BY	DATE
APPROVED BY	DATE
MATERIAL NO.	DOCUMENT NO.
SEE TABLE	

SCALE	DESIGN UNITS METRIC	THIRD ANGLE PROJECTION
BNC JACK, R/A RECEPTACLE, 75 OHMS BNC-J/RA/PCB		
MOLEX INCORPORATED		
SD-73100-0080		SHEET NO. 1 OF 1
THIS DRAWING CONTAINS INFORMATION THAT IS PROPRIETARY TO MOLEX INCORPORATED AND SHOULD NOT BE USED WITHOUT WRITTEN PERMISSION		