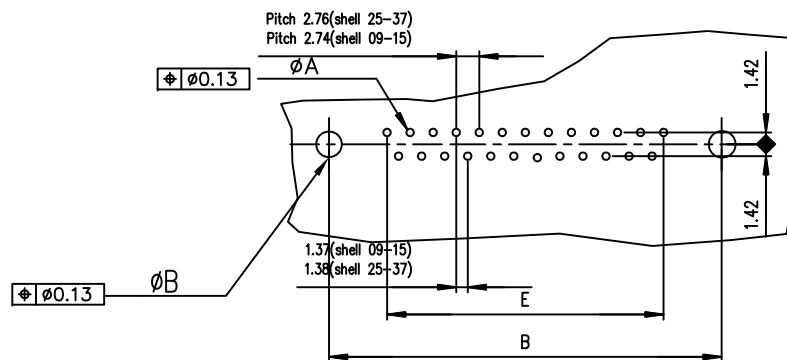


PC board drilling dimensions(after plating)
(thickness ≤ 3.20±0.30mm)



ROHS PART NUMBER

| SHELL | A±0.38 | B±0.12 | C±0.10 | D±0.25 | E±0.07 | PART NUMBER | PART NUMBER |
|-------|--------|--------|--------|--------|--------|----------------|----------------|
| 09 | 30.81 | 24.99 | 16.96 | 16.79 | 10.96 | D09P91C4GV00LF | D09P91C6GV00LF |
| 15 | 39.14 | 33.32 | 25.18 | 25.12 | 19.18 | D15P91C4GV00LF | D15P91C6GV00LF |
| 25 | 53.03 | 47.04 | 39.12 | 38.84 | 33.12 | D25P91C4GV00LF | D25P91C6GV00LF |
| 37 | 69.32 | 63.50 | 55.68 | 55.30 | 49.68 | D37P91C4GV00LF | D37P91C6GV00LF |
| | | | | | | 200 Matings | 500 Matings |

GENERAL CHARACTERISTICS AND ROHS INFORMATIONS:

SEE DRAWING C01-8646-0001

| | | | | | | | | | | | |
|-------------|-------------|-----|------------|---------------------------------------|--------|----------------------------|--|------------|--|-------------------------------|--|
| mat'l. code | | | | surface ISO 1302 ✓ | | tolerance ISO 406 ISO 1101 | | projection | | product family D-SUB | |
| ltr | ecn no | dr | date | tolerances unless otherwise specified | | | | mm | | title | |
| B | - | PES | 1996/07/24 | angles | linear | .0±0.1 | | mm | | MALE DELTA D CONNECTOR EUROPE | |
| C | LS05-004 | MPE | 2005-02-10 | | | .00±0.1 | | scale 2:1 | | STRAIGHT PRESS FIT | |
| D | LS06-0097 | LGO | 2006-07-29 | 0'±2' | | .000±0.1 | | | | dwg no sheet 1 of 1 size | |
| E | LS06-0186 | LGO | 2006-07-29 | dr | | PESSON | | 1995-08-25 | | Amphenol FCI | |
| F | 111-0062 | RPK | 2011-04-05 | eng | | MITHUN PAUL | | 2016-06-06 | | C01-8646-0360 A3 | |
| G | ELX-I-24020 | AAB | 2016-06-06 | chr | | ATHUL A.B | | 2016-06-06 | | type Product Customer Drawing | |
| | | | | appd | | BIJU K PAUL | | 2016-06-06 | | | |
| sheet index | revision | G | | | | | | | | | |
| | sheet | 1 | | | | | | | | | |