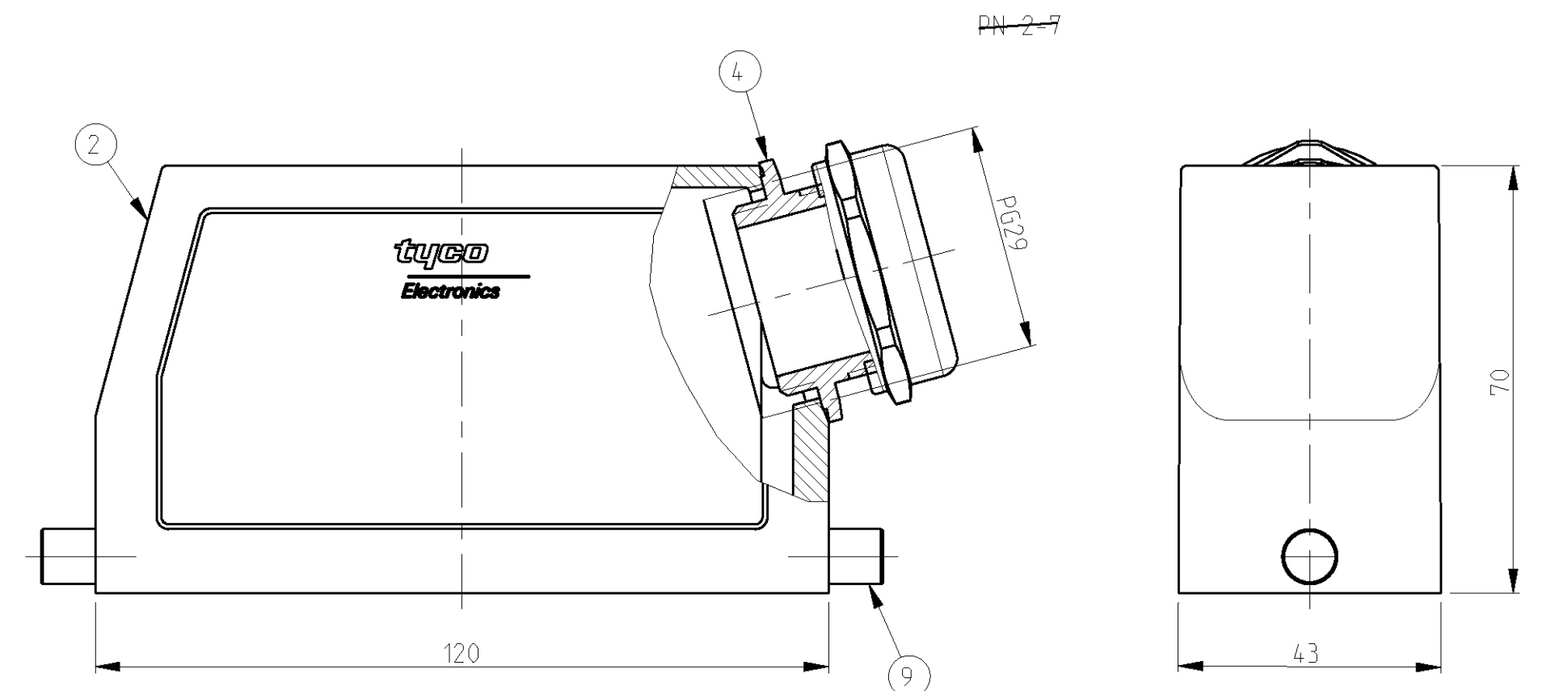
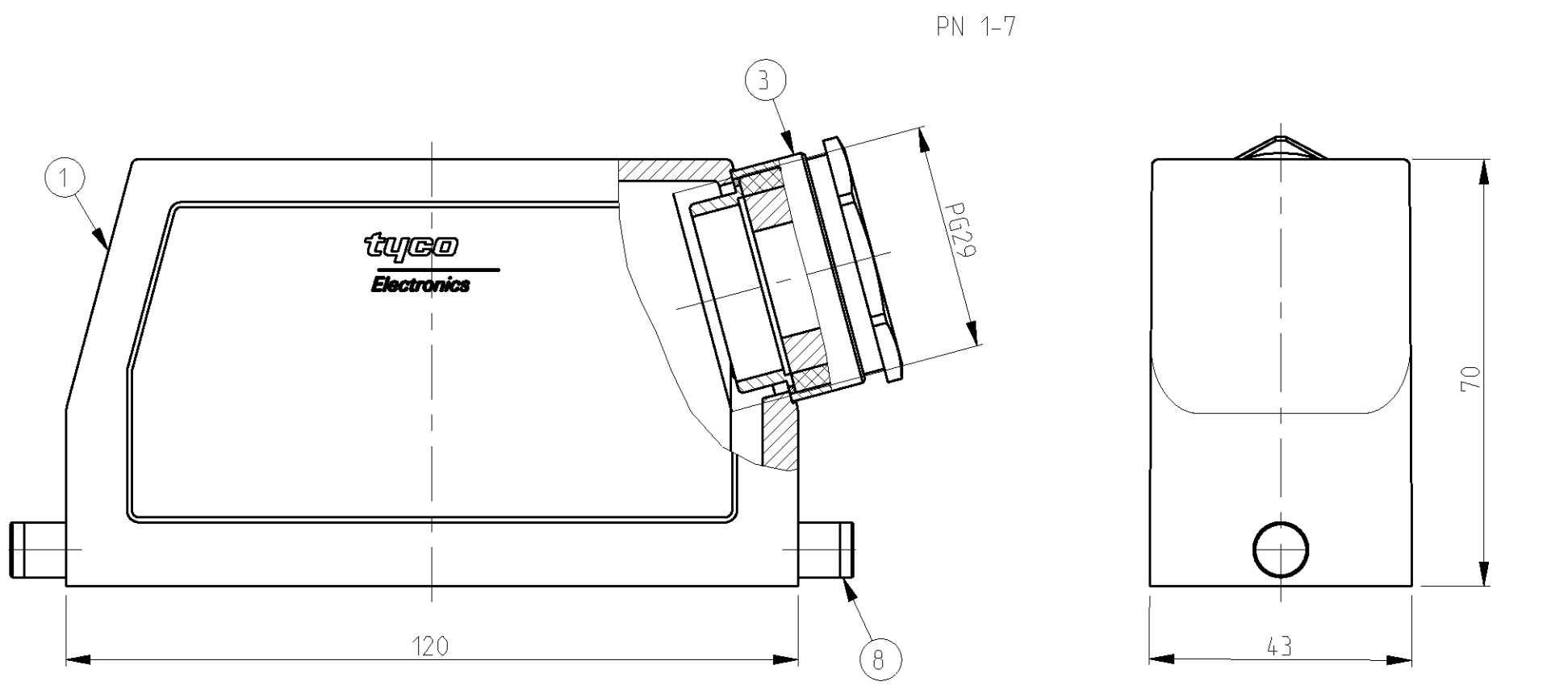
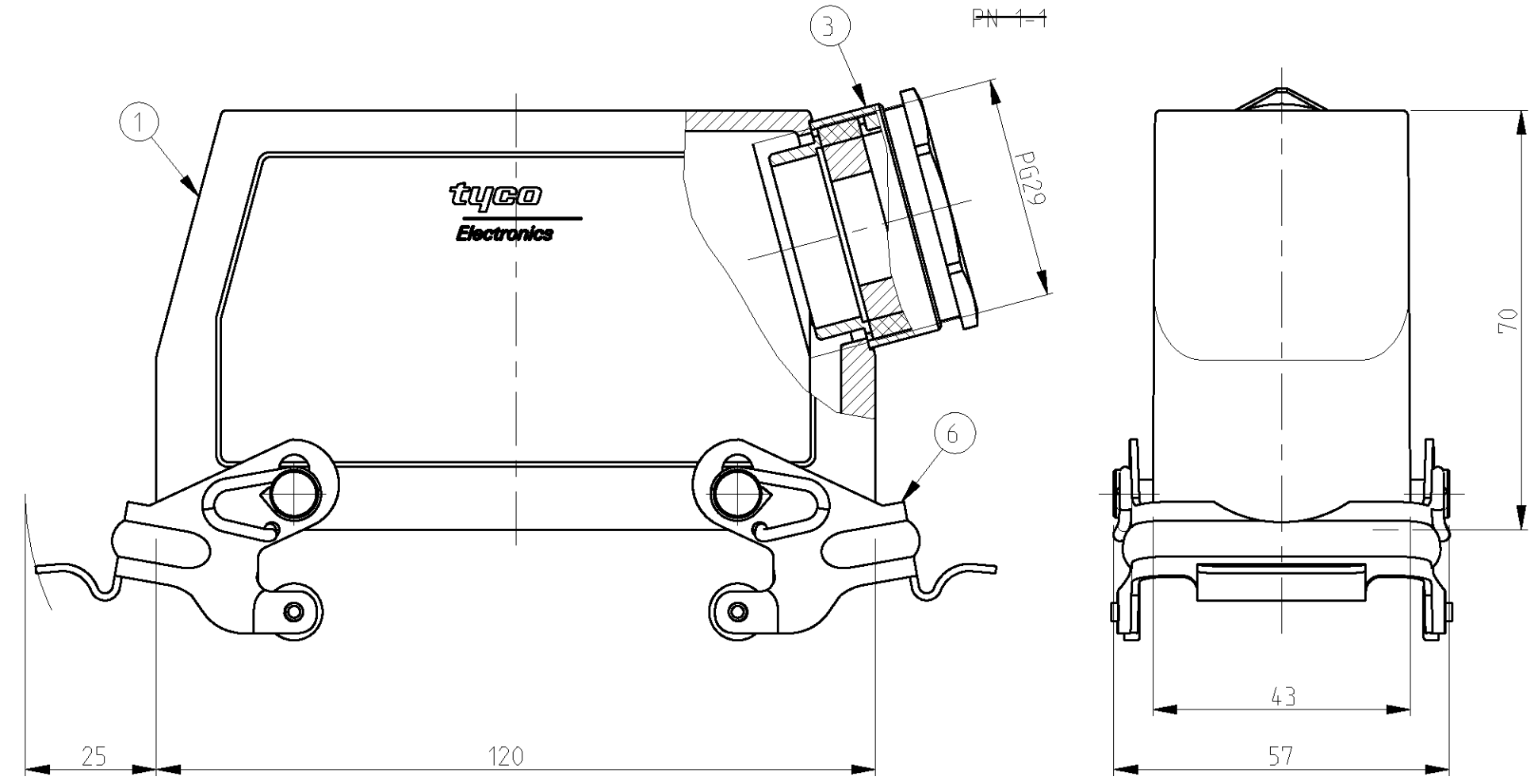
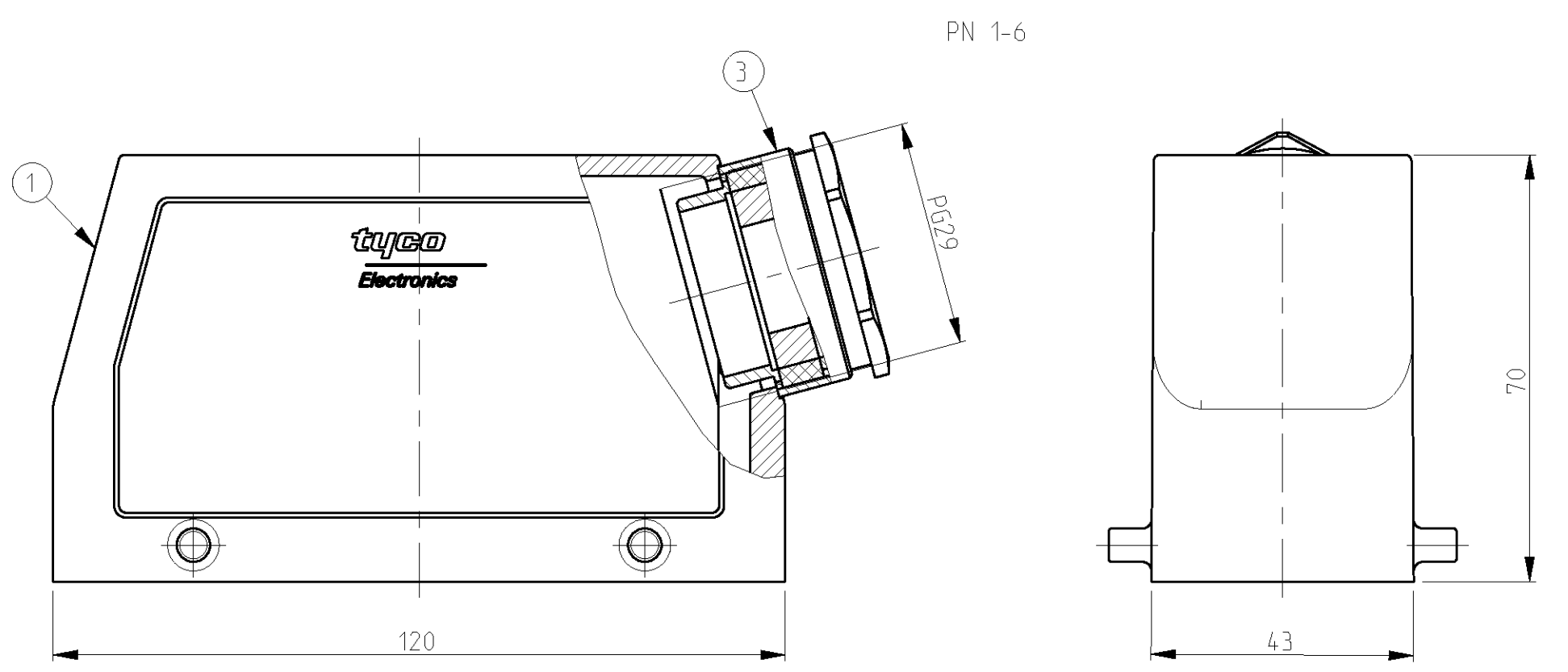
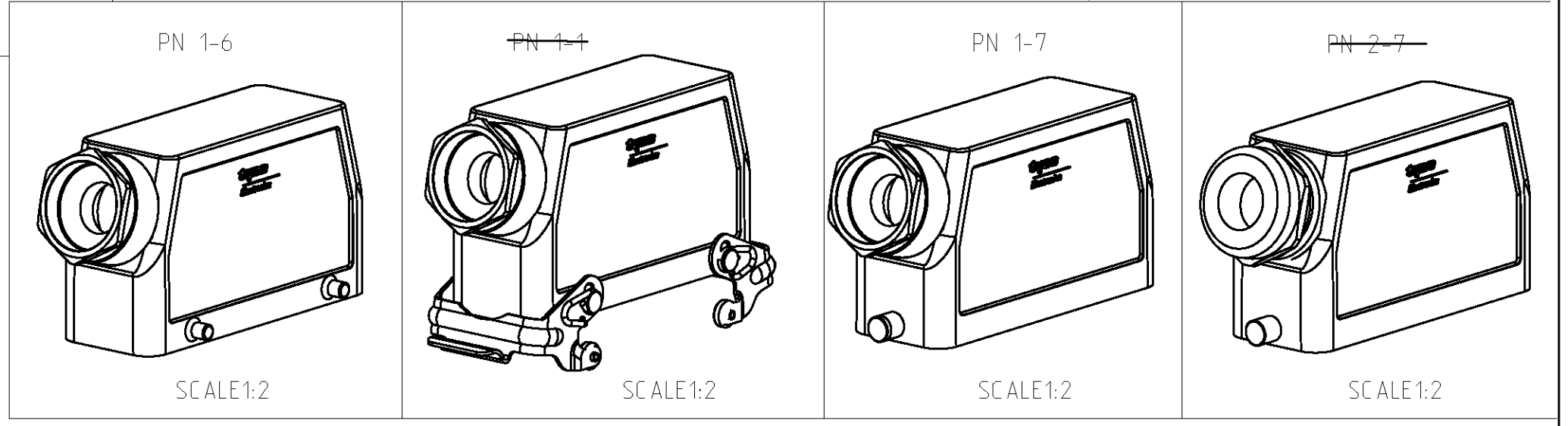
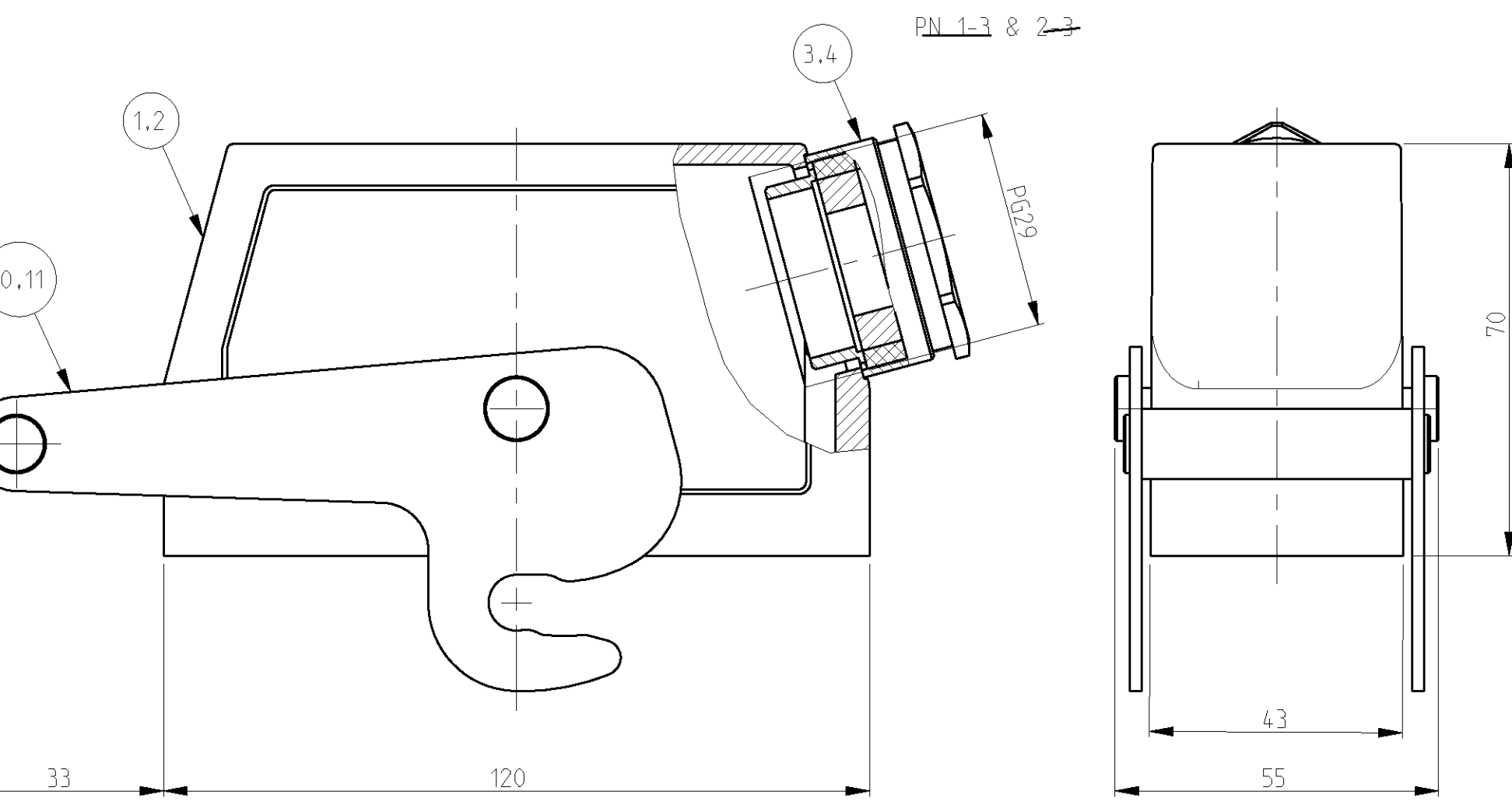
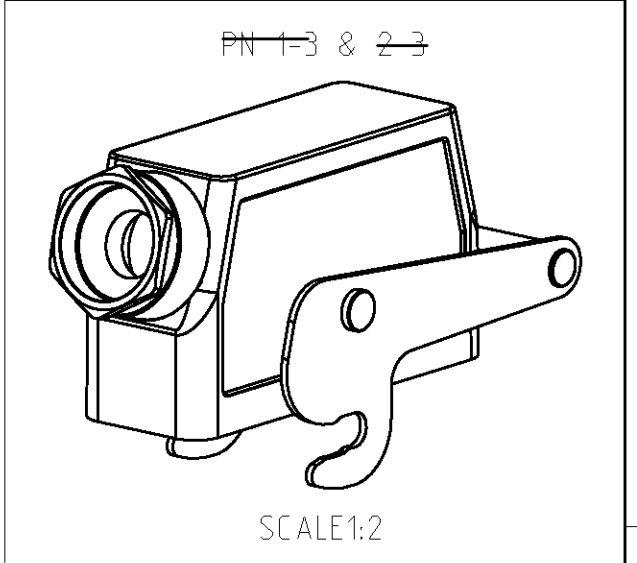


LOC	DIST	REV	DATE	DWN	APVD
A1	-	B4	Released as per ECR-07-019955	22.08.07	SK TS
		B5	REVISED PER ECO-09-027197	19JAN10	KK HMR



- NOTES
- Material: Housing: Aluminium Diecasting Alloy
 - Surface:- Varnish Grey
Aluminium oxide
Varnish Black
 - Varnish on the inside not necessary
 - Packaging
Quantity 5 piece in a box
- OBsolete PARTS: OBSOLETE CIS STREAMLINING PER D.RENAUD/D.SINISI**



QTY	ITEM NO	DESCRIPTION	MATERIAL	SURFACE	COLOR	ITEM NO	NOTES
1	1	Central Locking	Stainless Steel	-	-	11	-
1	2	Central Locking	Steel	Zinc Plated	Blue	10	-
1	3	LB-Clip bolt	Stainless Steel	-	-	9	-
1	4	LB-Clip bolt	Steel	Zinc Plated	Blue	8	-
1	5	VS-Locking clip	Stainless Steel	-	-	7	-
1	6	VS-Locking clip	Steel	Zinc Plated	Blue	6	-
1	7	VS-Clip bolt	Stainless Steel	-	-	5	-
1	8	Cable connection round	Brass	Nickel Plated	-	4	-
1	9	Gland fitting Pg29	Brass	Nickel Plated	-	3	-
1	10	HB.24.Pg.1.29 Hood	Aluminium	Aluminium Oxide	Black	2	-
1	11	HB.24.Pg.1.29 Hood	Aluminium	-	Grey	1	-

ORDERING TEXT

HB.24.Sts.1.29
 HB.K.24.Sts.1.29
 HB.24.Sts-VS.1.29
 HB.K.24.Sts-VS.1.29
 HB.24.Sts-GR.1.29
 HB.K.24.Sts-GR.1.29
 HB.Z.24.Sts-ZD.1.29
 HB.K.Z.24.Sts-ZD.1.29

DIMENSIONS: mm 		TOLERANCES UNLESS OTHERWISE SPECIFIED: mm 0.10 0.20 0.30 0.50 1.00 1.50 2.00 3.00 4.00 5.00 6.00 8.00 10.00 15.00 20.00 30.00 40.00 50.00 60.00 80.00 100.00 150.00 200.00 300.00 400.00 500.00 600.00 800.00 1000.00		DWN: 17.07.1997 CDR: Schnurpfaul APVD: - NAME: HOOB HB.24.Sts.1.29 PRODUCT SPEC: 108-74001 APPLICATION SPEC: 114-74001 WEIGHT: 114-74004 CUSTOMER DRAW ING: SCALE 1:1 SHEET 1 OF 1 REV B5		Tyco Electronics Tyco Electronics, AMP GmbH 0-53819, Neunkirchen, Germany DRAWING NO: A1100779 C=1102317	
--------------------	--	---	--	--	--	--	--