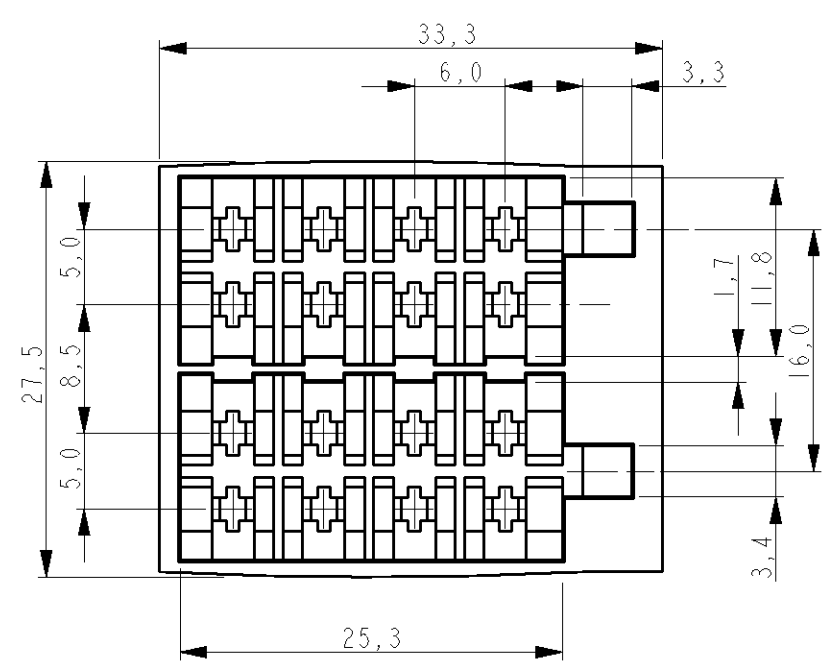
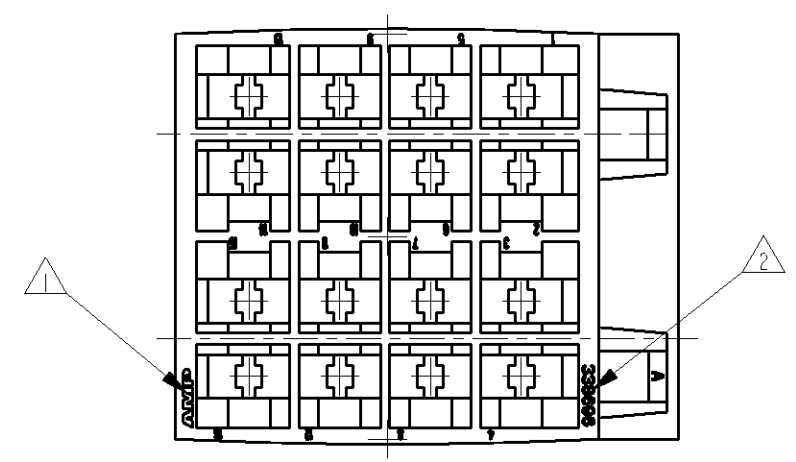
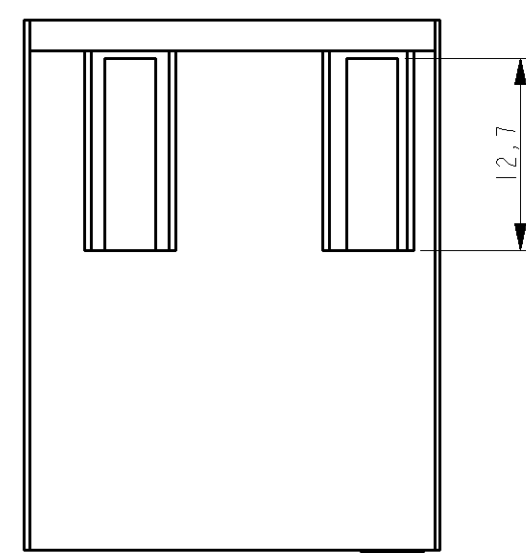
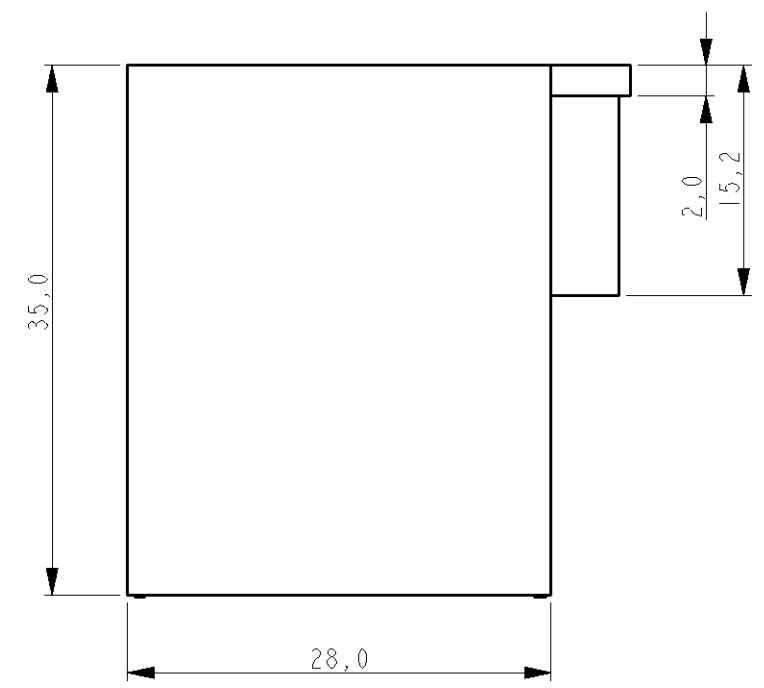
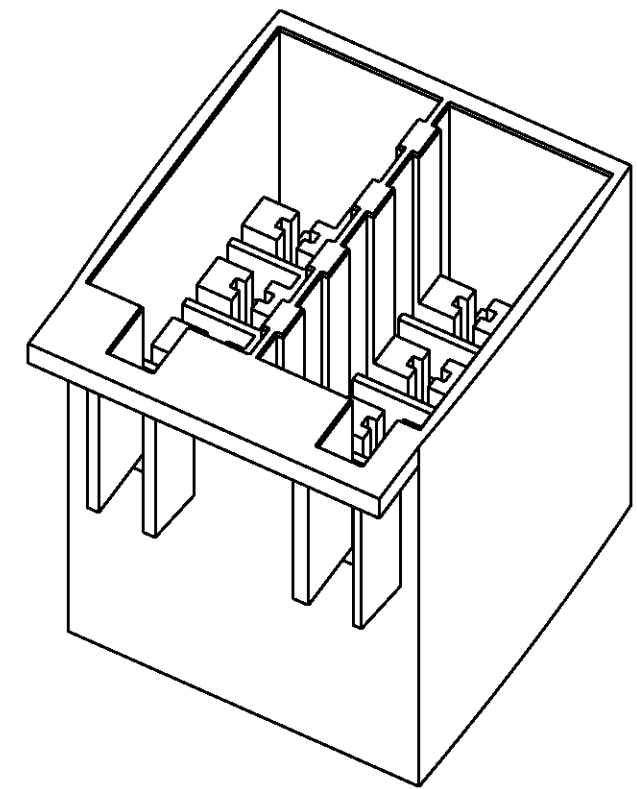


THIS DRAWING IS UNPUBLISHED. RELEASED FOR PUBLICATION
 © COPYRIGHT - BY TYCO ELECTRONICS CORPORATION. ALL RIGHTS RESERVED.

LOC	DIST	REVISIONS					
		P	LTR	DESCRIPTION	DATE	DWN	APVD
H	-		A	EH00-0386-00	31MAR2000	DH	EL
			B	ECR-09-021799	05OCT2009	DC	TdB



- NOTES:
- 1 AMP Trademark
 - 2 AMP Partnumber identification
 - 3 Applicable contacts:
 - p.n. 927892-1
 - p.n. 927893-1



THIS DRAWING IS A CONTROLLED DOCUMENT FOR TYCO ELECTRONICS CORPORATION IT IS SUBJECT TO CHANGE AND THE CONTROLLING ENGINEERING ORGANIZATION SHOULD BE CONTACTED FOR THE LATEST REVISION.		1 2 x 8 POS ISO TAB HOUSING		PBT-GF30 BLACK		338696-1	
ITEM NO.		DESCRIPTION		MATERIAL		PARTNUMBER	
DWN D. Halberstadt		-		Tyco Electronics		Tyco Electronics Corporation 's-Hertogenbosch, Nederland	
CHK -		-		NAME		2x8 pos 2,8mm FASTIN-FASTON ISO TAB HOUSING	
APVD -		-		PRODUCT SPEC		-	
APPLICATION SPEC		-		APPLICATION SPEC		-	
MATERIAL		FINISH		SIZE		RESTRICTED TO	
DIMENSIONS: mm		TOLERANCES UNLESS OTHERWISE SPECIFIED:		CAGE CODE		DRAWING NO	
0 PLC ±0,2		1 PLC ±0,1		A3		00779	
2 PLC ±0,05		3 PLC ±0,025		C=		338696	
4 PLC ±0,01		ANGLES ±0°30'		WEIGHT		-	
MATERIAL		FINISH		CUSTOMER DRAWING		SCALE 2:1	
						SHEET 1 OF 1 REV B	