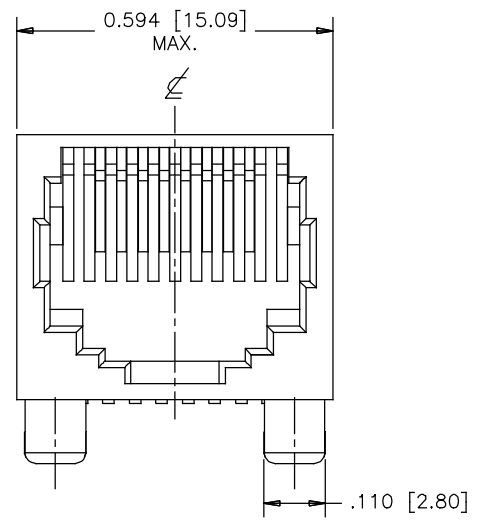
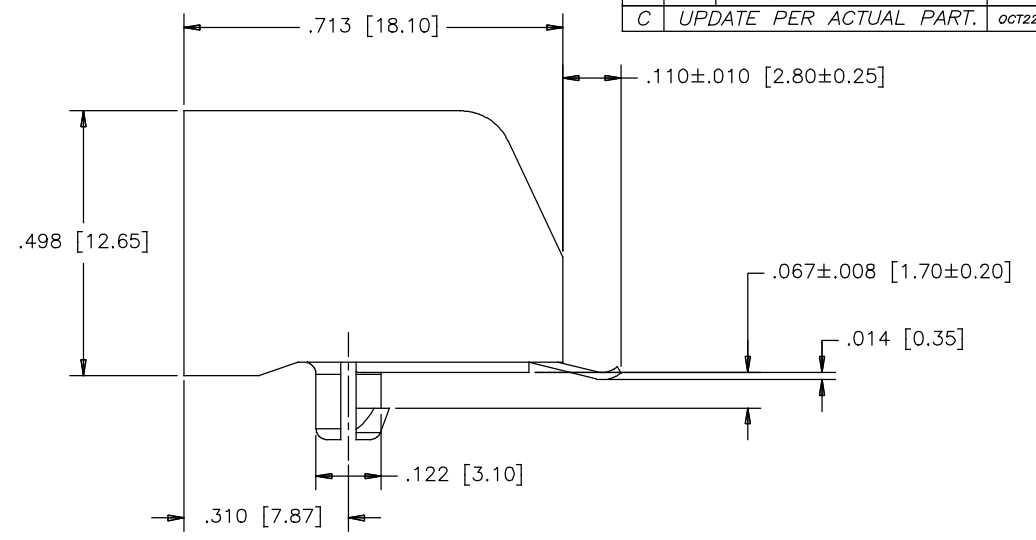


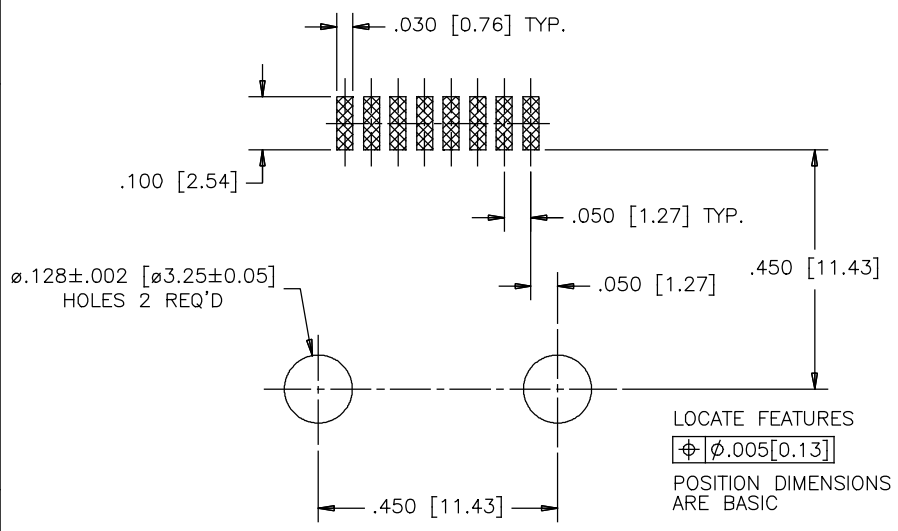
REVISIONS				
SYM	ZONE	ECN, ERN NO.	DATE	APPRD.
A		PROPOSAL	06/02/27	L.CHAN
B		PER ECN E07135	JUN 5/07	L.CHAN
C		UPDATE PER ACTUAL PART.	OCT22/15	L.CHAN



FRONT VIEW



SIDE VIEW



RECOMMENDED P.C.B. LAYOUT
(COMPONENT SIDE OF BOARD)

LOCATE FEATURES
 $\phi \pm \phi .005 [0.13]$
 POSITION DIMENSIONS ARE BASIC



MATERIALS:

HOUSING: HIGH TEMPERATURE THERMOPLASTIC
 FLAMMABILITY RATING UL94V-0
 COLOR: BLACK

CONTACTS: PHOSPHOR BRONZE

PLATING: MATING AREA: SELECTIVELY PLATED GOLD-PER
 PART NUMBER OPTIONS
 50 MICROINCH [1.27 MICRONS] MIN. NICKEL OVERALL
 100 MICROINCH [2.54 MICRONS] MIN. MATTE TIN
 OR GOLD FLASH OVER TAIL

AMPHENOL PART NUMBER: RJE07-188-0X10

- GOLD PLATING**
- 1 = 06 MICROINCH
 - 2 = 15 MICROINCH
 - 3 = 30 MICROINCH
 - 4 = 50 MICROINCH

DRAWN PAULW	DATE 06/02/27	Amphenol Canada Corp.			
DESIGNED					
CHECKED CHIGOW	06/02/27	TITLE RJE07 SURFACE MOUNT MODULAR JACK 8 POSITION, 8 CONTACTS, WITHOUT SHIELD, WITHOUT FLANGE AND WITHOUT KEY - RoHS COMPLIANT			
I. E. APPRD. JEFF.S	JUN 5/07				
Q. A. APPRD. KENT.Y	JUN 5/07	DWG	DRAWING NO.	REV.	
DWG. APPRD.			P-RJE07-188-0X10	C	
ENG. REL. NO. E07135		SCALE	WT. -----	SURF. -----	SHEET 1 OF 1
REF.		DIMENSIONS ARE IN inches (mm)	CODE ID. NO. 03554		

THIS DOCUMENT CONTAINS PROPRIETARY INFORMATION AND SUCH INFORMATION MAY NOT BE DISCLOSED TO OTHERS FOR ANY PURPOSE OR USED FOR MANUFACTURING PURPOSES WITHOUT WRITTEN PERMISSION FROM AMPHENOL CANADA CORP.