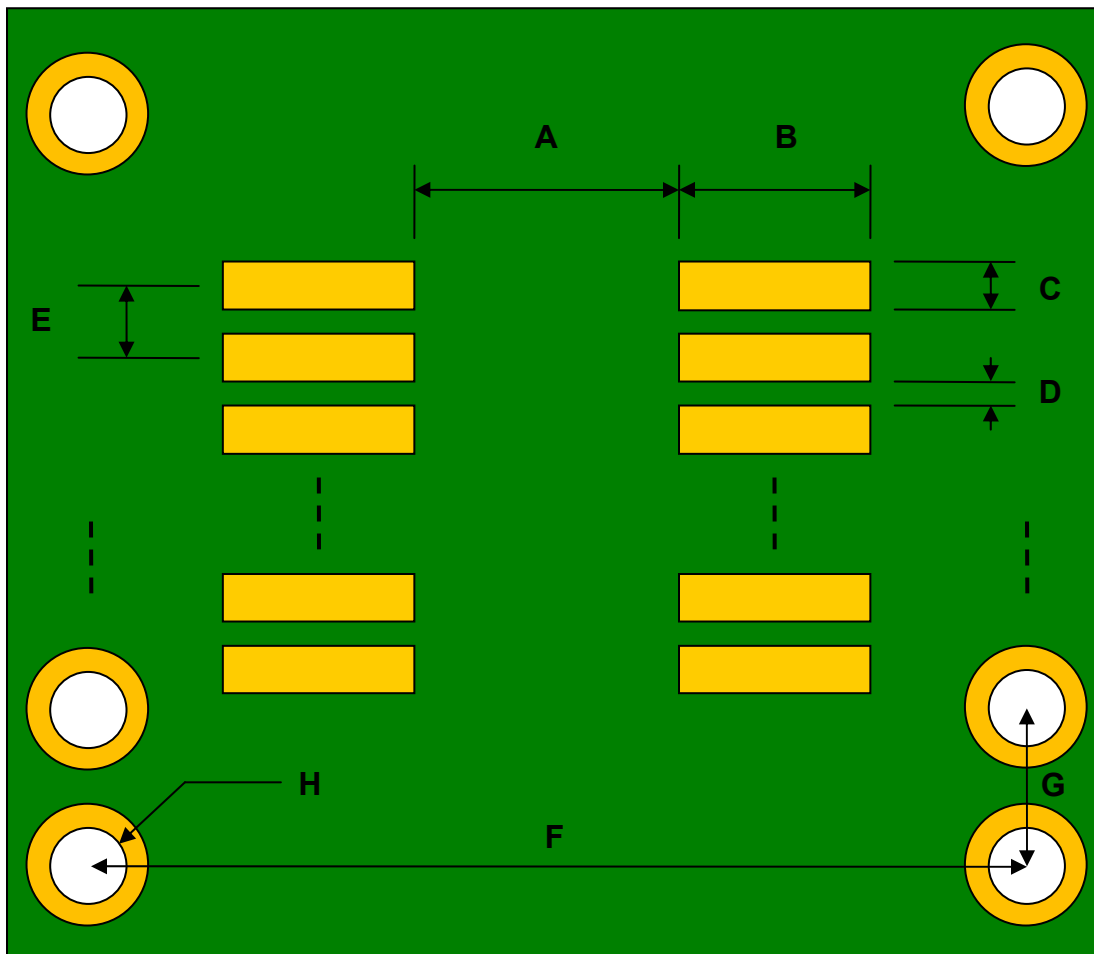


## TSSOP-14 to DIP-14 SMT Adapter

REF.	DIMENSIONS					
	mm			inches		
	MIN.	TYP.	MAX.	MIN.	TYP.	MAX.
A		4.05				
B		1.45				
C		0.45				
D		0.20				
E		0.65				
F					0.300	
G					0.100	
H					0.040	



(Representative drawing only - not to scale)  
 Note: SMT Footprint is rotated 90 degrees on actual PCB