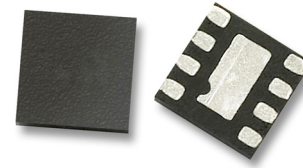


# MGA-633P8

## Ultra Low Noise, High Linearity Active Bias Low Noise Amplifier



### Data Sheet

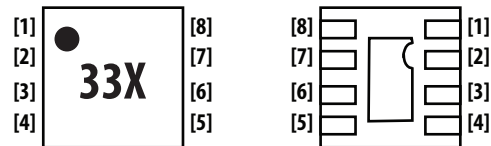


#### Description

Avago Technologies' MGA-633P8 is an economical, easy-to-use GaAs MMIC Low Noise Amplifier (LNA). The LNA has low noise and high linearity achieved through the use of Avago Technologies' proprietary 0.25um GaAs Enhancement-mode pHEMT process. It is housed in a miniature 2.0 x 2.0 x 0.75mm<sup>3</sup> 8-pin Quad-Flat-Non-Lead (QFN) package. It is designed for optimum use from 450MHz up to 2GHz. The compact footprint and low profile coupled with low noise, high gain and high linearity make the MGA-633P8 an ideal choice as a low noise amplifier for cellular infrastructure for GSM and CDMA. For optimum performance at higher frequency from 1.5GHz to 2.3GHz, the MGA-634P8 is recommended, and from 2.3GHz to 4GHz, the MGA-635P8 is recommended. Both MGA-634P8 and MGA-635P8 share the same package and pinout as MGA-633P8

#### Pin Configuration and Package Marking

2.0 x 2.0 x 0.75 mm<sup>3</sup> 8-lead QFN



Top View

Bottom View

Pin1 – Vbias  
Pin2 – RFin  
Pin3 – Not Used  
Pin4 – Not Used

Pin5 – Not Used  
Pin6 – Not Used  
Pin7 – RFOutput / Vdd  
Pin8 – Not Used  
Centre tab - Ground

Note:  
Package marking provides orientation and identification  
"33" = Device Code  
"X" = Month Code



**Attention: Observe precautions for handling electrostatic sensitive devices.**  
ESD Machine Model = 90 V (Class A)  
ESD Human Body Model = 600 V (Class 1B)  
Refer to Avago Application Note A004R:  
Electrostatic Discharge, Damage and Control.

#### Features

- Ultra Low noise Figure
- High linearity performance
- GaAs E-pHEMT Technology [1]
- Low cost small package size: 2.0 x 2.0 x 0.75 mm<sup>3</sup>
- Excellent uniformity in product specifications
- Tape-and-Reel packaging option available

#### Specifications

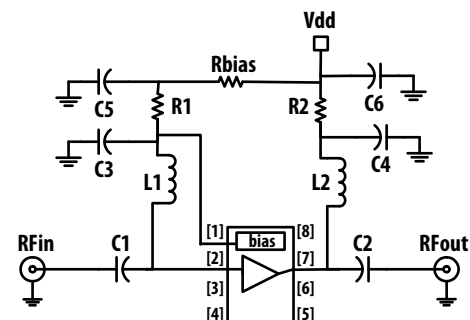
900MHz; 5V, 54mA

- 18 dB Gain
- 0.37 dB Noise Figure
- 15dB Input Return Loss
- 37 dBm Output IP3
- 22 dBm Output Power at 1dB gain compression

#### Applications

- Low noise amplifier for cellular infrastructure for GSM and CDMA.
- Other ultra low noise application.

#### Simplified Schematic



Notes:

- The schematic is shown with the assumption that similar PCB is used for all MGA-633P8, MGA-634P8 and MGA-635P8.
- Detail of the components needed for this product is shown in Table 1.
- Enhancement mode technology employs positive gate voltage, thereby eliminating the need of negative gate voltage associated with conventional depletion mode devices.
- Good RF practice requires all unused pins to be earthed.

### Absolute Maximum Rating<sup>[1]</sup> T<sub>A</sub>=25°C

| Symbol            | Parameter   | Units | Absolute Max. |
|-------------------|---|-------|---------------|
| V <sub>dd</sub>   | Device Voltage, RF output to ground                                     | V     | 5.5           |
| I <sub>dd</sub>   | Drain Current   | mA    | 90            |
| P <sub>max</sub>  | CW RF Input Power<br>(V <sub>dd</sub> = 5.0 V, I <sub>dd</sub> = 54 mA) | dBm   | +20           |
| P <sub>diss</sub> | Total Power Dissipation <sup>[3]</sup>                                  | W     | 0.495         |
| T <sub>j</sub>    | Junction Temperature  | °C    | 150           |
| T <sub>STG</sub>  | Storage Temperature   | °C    | -65 to 150    |

### Thermal Resistance

#### Thermal Resistance <sup>[2]</sup>

(V<sub>dd</sub> = 5.0 V, I<sub>dd</sub> = 54 mA), θ<sub>jc</sub> = 72°C/W

Notes:

1. Operation of this device in excess of any of these limits may cause permanent damage.
2. Thermal resistance measured using Infra-Red Measurement Technique.
3. Power dissipation with unit turned on. Board temperature T<sub>B</sub> is 25°C. Derate at 13.89mW/°C for T<sub>B</sub>>114°C.

### Electrical Specifications<sup>[1, 4]</sup>

RF performance at T<sub>A</sub> = 25°C, V<sub>dd</sub> = 5V, R<sub>bias</sub> = 6.8kΩ, 900MHz, measured on demo board in Figure 5 with component list in Table 1 for 900 MHz matching.

| Symbol              | Parameter and Test Condition         | Units | Min. | Typ. | Max. |
|---------------------|--------------------------------------|-------|------|------|------|
| I <sub>dd</sub>     | Drain Current                        | mA    | 39   | 54   | 67   |
| Gain                | Gain                                 | dB    | 16.5 | 18   | 19.5 |
| OIP3 <sup>[2]</sup> | Output Third Order Intercept Point   | dBm   | 34   | 37   |      |
| NF <sup>[3]</sup>   | Noise Figure                         | dB    |      | 0.37 | 0.6  |
| OP1dB               | Output Power at 1dB Gain Compression | dBm   |      | 22   |      |
| IRL                 | Input Return Loss, 50Ω source        | dB    |      | 15   |      |
| ORL                 | Output Return Loss, 50Ω load         | dB    |      | 21   |      |
| REV ISOL            | Reverse Isolation                    | dB    |      | 21   |      |

Notes:

1. Measurements at 900 MHz obtained using demo board described in Figure 1.
2. OIP3 test condition: F<sub>RF1</sub> = 900 MHz, F<sub>RF2</sub> = 901 MHz with input power of -15dBm per tone.
3. For NF data, board losses of the input have not been de-embedded.
4. Use proper bias, heatsink and derating to ensure maximum device temperature is not exceeded. See absolute maximum ratings and application note for more details.

## Product Consistency Distribution Charts<sup>[1, 2]</sup>

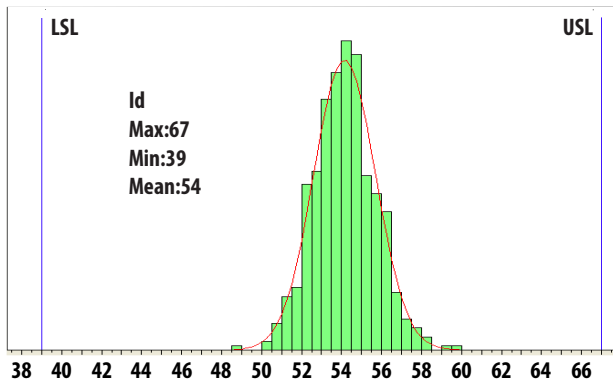


Figure 1. Id @ 900MHz, 5V, 54mA  
Mean = 54

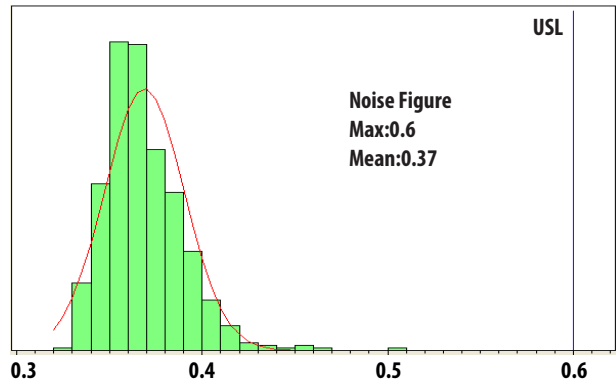


Figure 2. Noise Figure @ 900MHz, 5V, 54mA  
Mean = 0.37

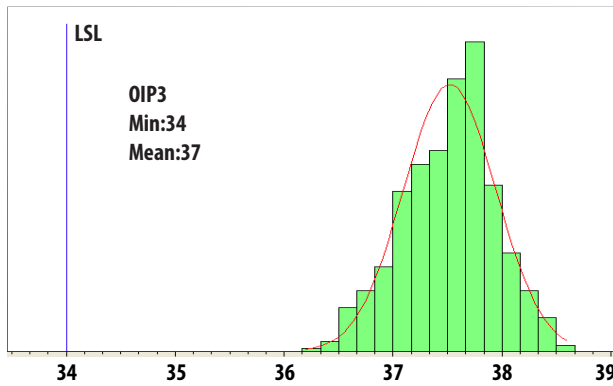


Figure 3. OIP3 @ 900MHz, 5V, 54mA  
Mean = 37

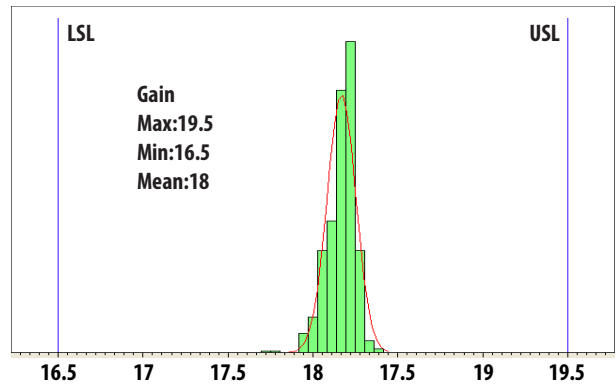


Figure 4. Gain @ 900MHz, 5V, 54mA  
Mean = 18

### Notes:

1. Distribution data samples are 500 samples taken from 3 different wafers. Future wafers allocated to this product may have nominal values anywhere between the upper and lower limits.
2. Circuit Losses have not been de-embedded from the actual measurements.

## Demo Board Layout

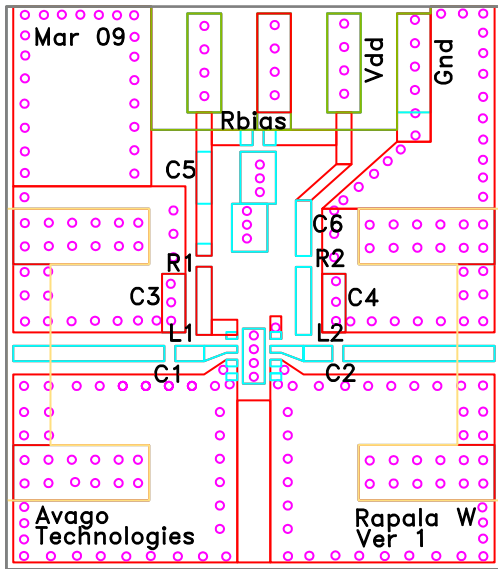


Figure 5. Demo Board Layout Diagram

- Recommended PCB material is 10 mils Rogers RO4350.
- Suggested component values may vary according to layout and PCB material.

## Demo Board Schematic

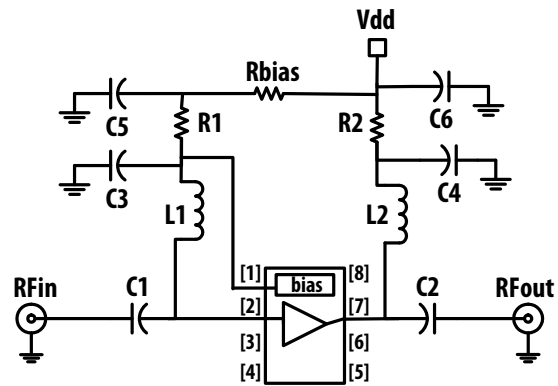


Figure 6. Demo Board Schematic Diagram

Note:

- The schematic is shown with the assumption that similar PCB is used for all MGA-633P8, MGA-634P8 and MGA-635P8.
- Detail of the components needed for this product is shown in Table 1.

Table 1. Component list for 900 MHz matching

| Part   | Size | Value          | Detail Part Number |
|--------|------|----------------|--------------------|
| C1, C2 | 0402 | 100pF (Murata) | GRM1555C1H101JD01E |
| L1, L2 | 0402 | 33nH (Toko)    | LL1005-FHL33NJ     |
| C4     | 0402 | 33pF (Kyocera) | CM05CH330J50AH     |
| C3, C6 | 0402 | 4.7uF (Murata) | GRM155R60E475ME760 |
| R1     | 0402 | 0 Ohm (Kamaya) | RMC1/16S-JPTH      |
| R2     | 0402 | 10 Ohm (Koa)   | RM73B1ETTP100J     |

Note:

C1, C2 are DC Blocking capacitors; L1 input match for NF; L2 output match for OIP3; C3, C4, C6 are bypass capacitors; R2 is stabilizing resistor; Rbias is the biasing resistor; R1, C5 are not use for this product

## MGA-633P8 Typical Performance

RF performance at  $T_A = 25^\circ\text{C}$ ,  $V_{dd} = 5\text{V}$ ,  $I_d = 54\text{mA}$ , measured using 50ohm input and output board, unless otherwise stated. OIP3 test condition:  $F_{RF1} = 900\text{MHz}$ ,  $F_{RF2} = 901\text{MHz}$  with input power of  $-10\text{dBm}$  per tone.

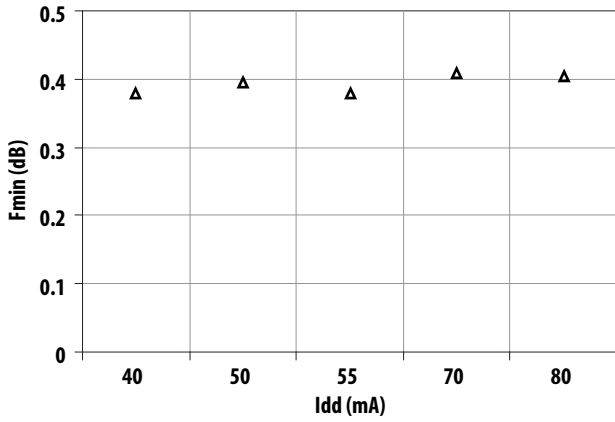


Figure 7. Fmin vs Idd at 5V at 700MHz

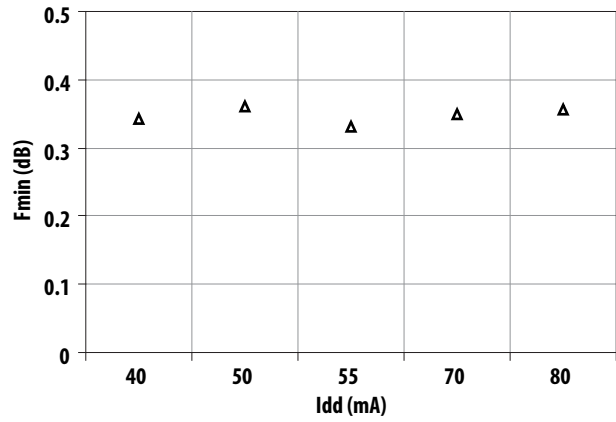


Figure 8. Fmin vs Idd at 5V at 900MHz

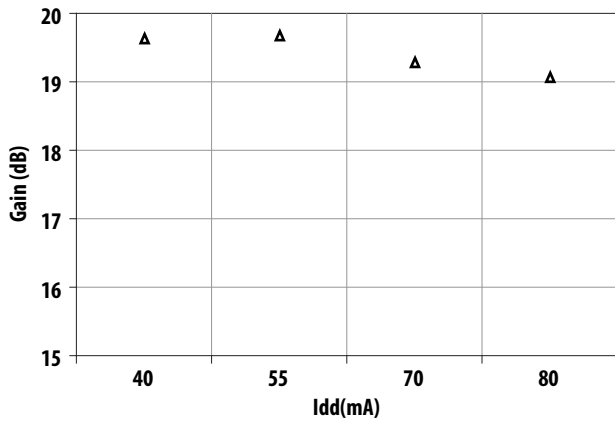


Figure 10. Gain vs Idd at 5V Tuned for Optimum OIP3 and Fmin at 700MHz

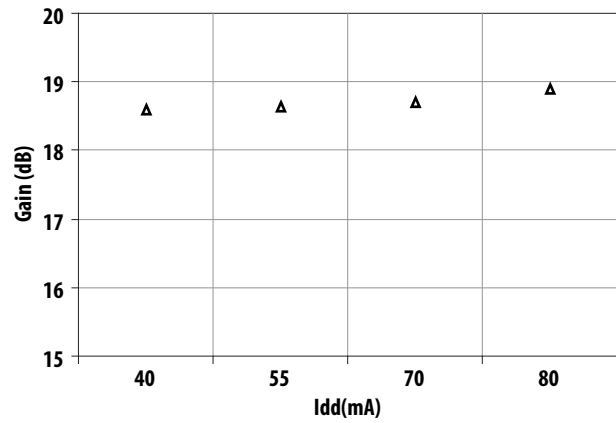


Figure 11. Gain vs Idd at 5V Tuned for Optimum OIP3 and Fmin at 900MHz

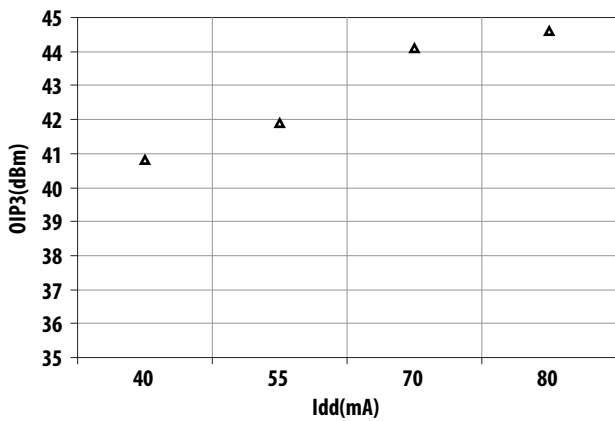


Figure 12. OIP3 vs Idd at 5V Tuned for Optimum OIP3 and Fmin at 700MHz

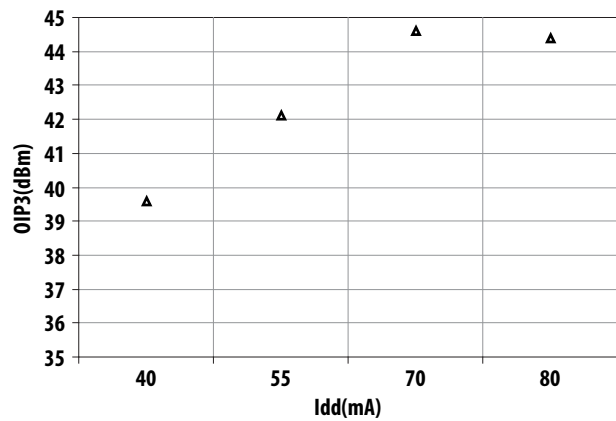


Figure 13. OIP3 vs Idd at 5V Tuned for Optimum OIP3 and Fmin at 900MHz

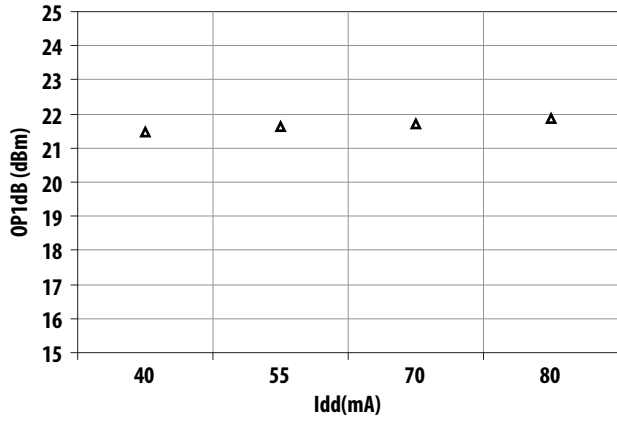


Figure 14. OP1dB vs Idd at 5V Tuned for Optimum OIP3 and Fmin at 700MHz

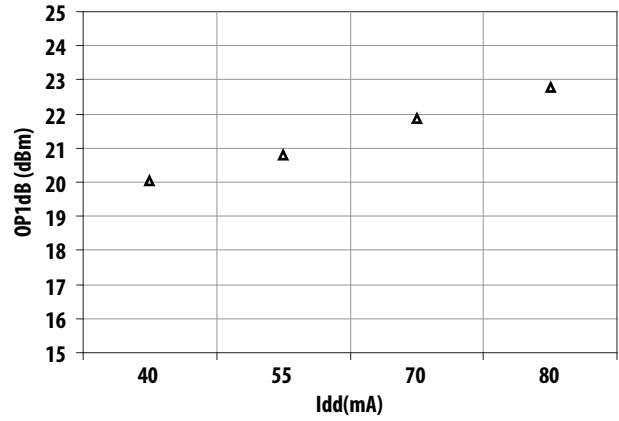


Figure 15. OP1dB vs Idd at 5V Tuned for Optimum OIP3 and Fmin at 900MHz

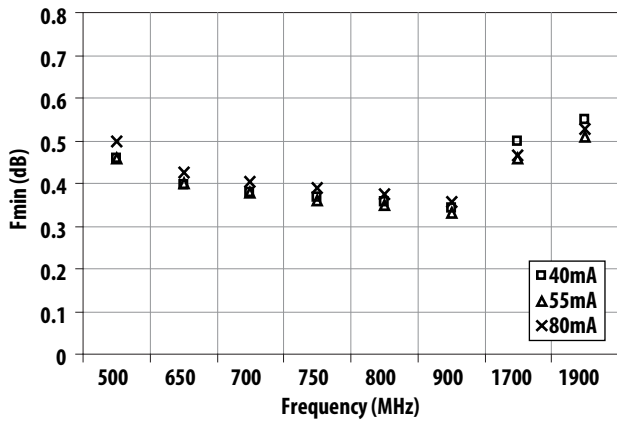


Figure 16. Fmin vs Frequency and Idd at 5V

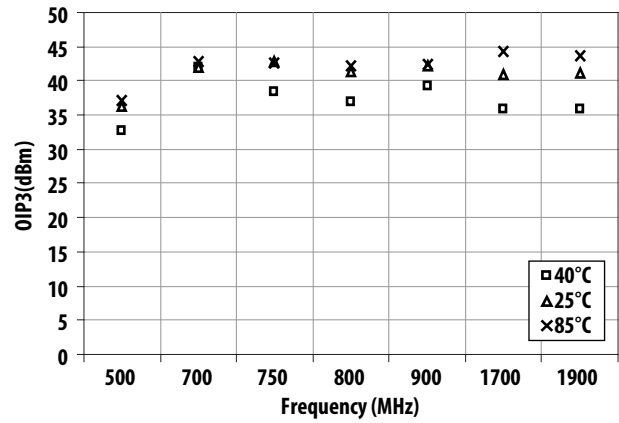


Figure 17. OIP3 vs Frequency and Temperature for Optimum OIP3 and Fmin at 5V 54mA

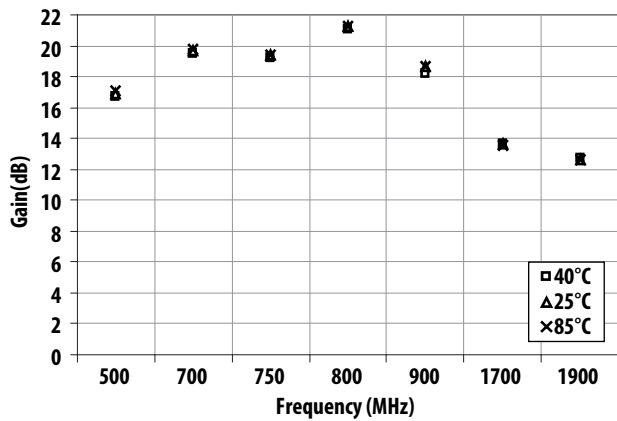


Figure 18. Gain vs Frequency and Temperature for Optimum OIP3 and Fmin at 5V 54mA

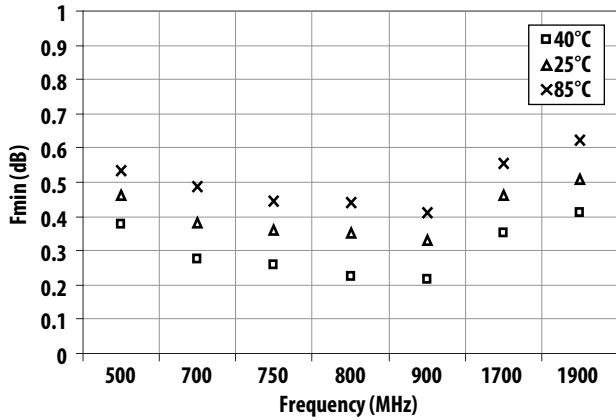


Figure 19. Fmin vs Frequency and Temperature for Optimum OIP3 and Fmin at 5V 54mA

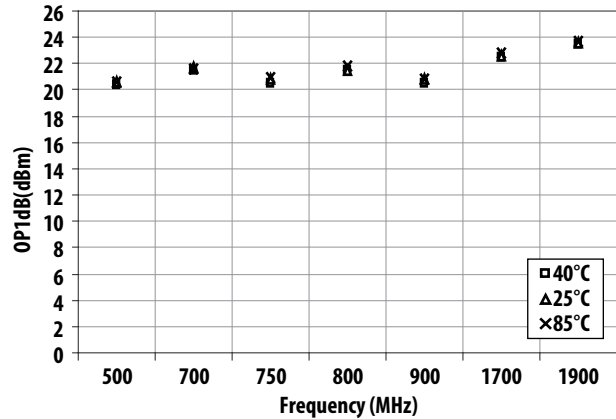


Figure 20. OP1dB vs Frequency and Temperature for Optimum OIP3 and Fmin at 5V 54mA

Below is the table showing the MGA-633P8 Reflection Coefficient Parameters tuned for Maximum OIP3, Vdd = 5V, Idd = 54mA.

| Frequency (GHz) | Gamma Load position |       | OIP3 (dBm) | OP1dB (dBm) |
|-----------------|---------------------|-------|------------|-------------|
|                 | Magnitude           | Angle |            |             |
| 0.50            | 0.53                | 122   | 36.2       | 22.96       |
| 0.70            | 0.49                | 115   | 41.9       | 21.67       |
| 0.75            | 0.539               | 113   | 42.7       | 20.87       |
| 0.80            | 0.659               | 123   | 41.2       | 21.52       |
| 0.90            | 0.635               | 145   | 42.1       | 20.79       |
| 1.70            | 0.342               | -120  | 41         | 22.63       |
| 1.90            | 0.333               | -74   | 41.2       | 23.63       |

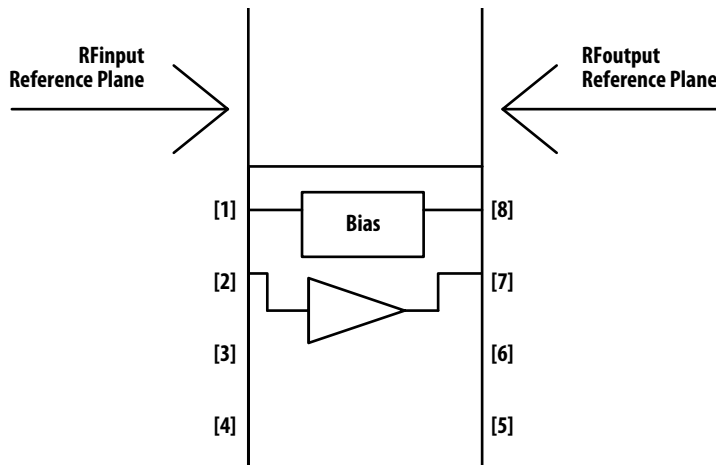


Figure 21.

Notes:

1. The Maximum OIP3 values are calculated based on Load pull measurements on approximately 100 different impedances using Maury's Load pull test system.
2. Measurements are conducted on 0.010 inch thick ROGER 4350. The input reference plane is at the end of the RFin pin and the output reference plane is at the end of the RFout pin as shown in Figure 21.
3. Gamma Load for maximum OIP3 with biasing of 3V 54mA, 3.5V 54mA, 4V 54mA, 4.5V 54mA, 5V 40mA, 5V 54mA and 5V 70mA from 800 MHz to 1.9GHz are available upon request.

## MGA-633P8 Typical Performance in Demoboard

RF performance at  $T_A = 25^\circ\text{C}$ ,  $V_{dd} = 5\text{V}$ ,  $R_{bias} = 6.8\text{k}\Omega$ , measured on demo board in Figure.5 with component list in Table1 for 900 MHz matching, unless otherwise stated.

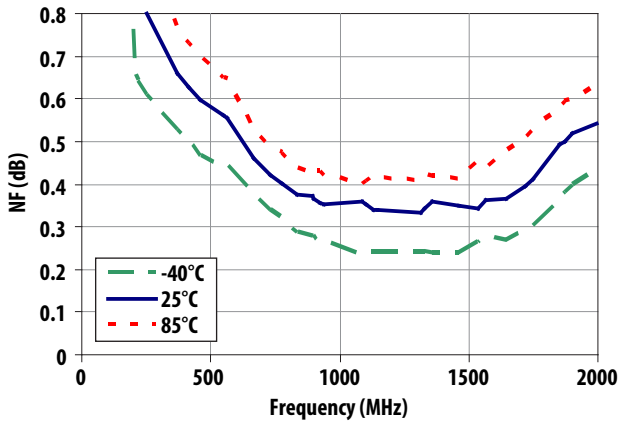


Figure 22. NF vs Frequency vs Temperature

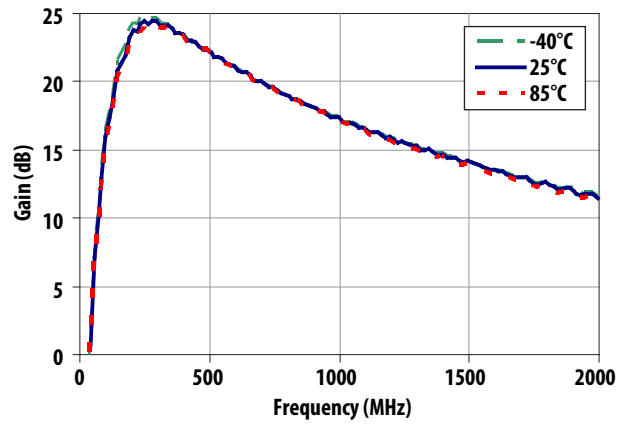


Figure 23. Gain vs Frequency vs Temperature

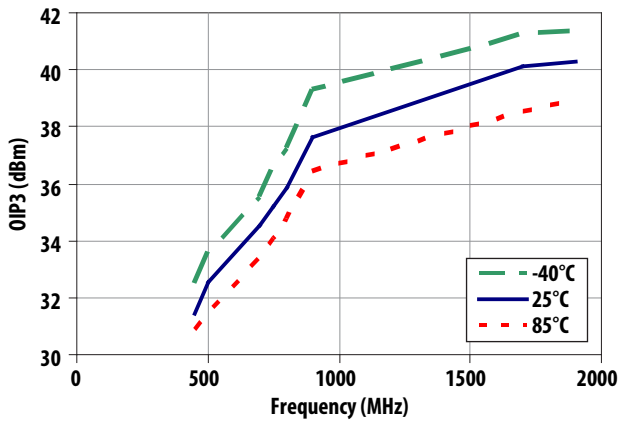


Figure 24. OIP3 vs Frequency vs Temperature

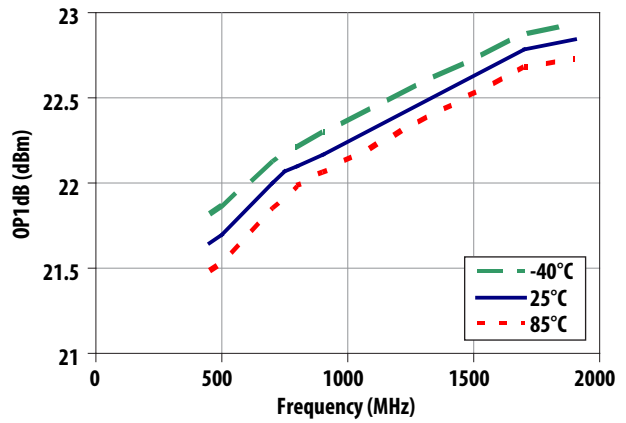


Figure 25. OP1dB vs Frequency vs Temperature

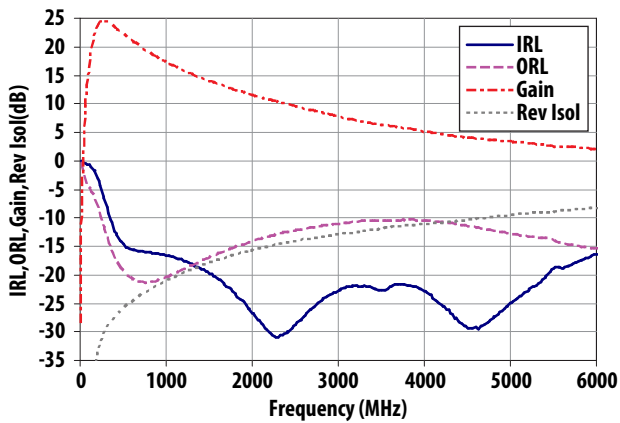


Figure 26. Input Return Loss, Output Return Loss, Gain, Reverse Isolation vs Frequency

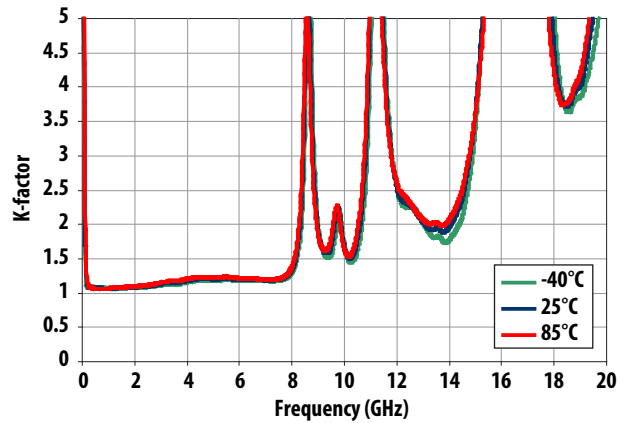


Figure 27. K-factor vs Frequency vs Temperature



## MGA-633P8 Typical Performance in Demoboard

RF performance at  $T_A = 25\text{ }^\circ\text{C}$ ,  $V_{dd} = 5\text{V}$ ,  $R_{bias} = 6.8\text{k}\Omega$ , measured on demo board in Figure.5 with component list in Table1 for 900 MHz matching, unless otherwise stated.

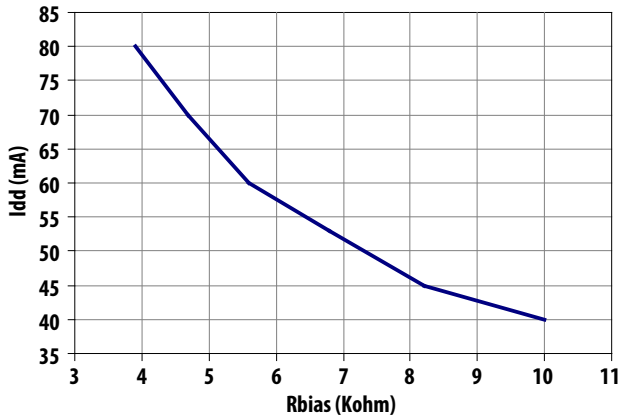


Figure 28. Idd vs Rbias

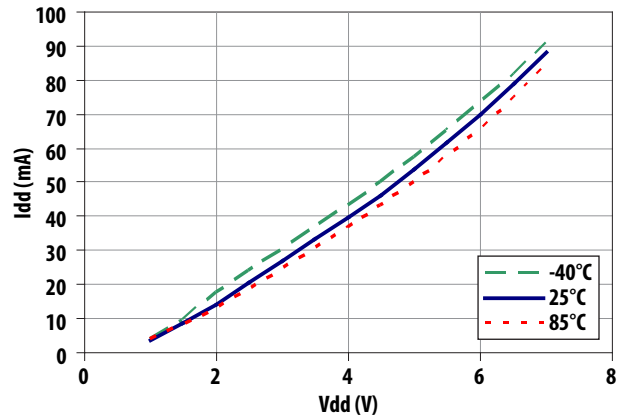


Figure 29. Idd vs Vdd vs Temperature

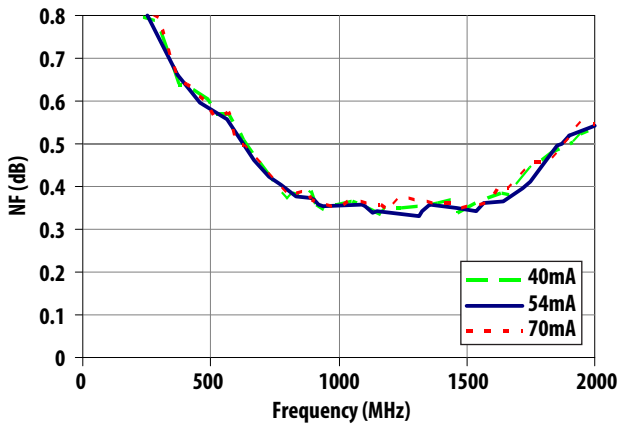


Figure 30. NF vs Frequency vs Idd

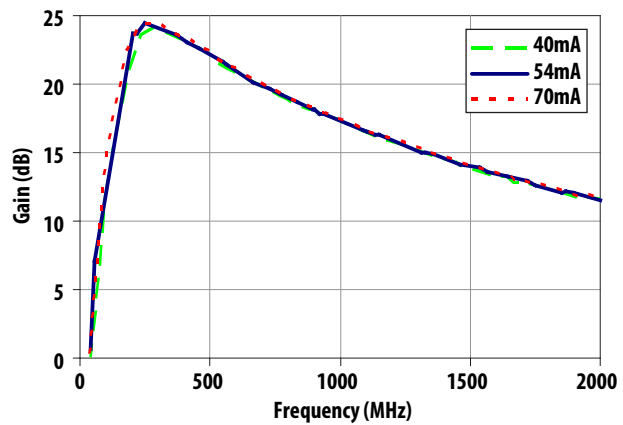


Figure 31. Ga vs Frequency vs Idd

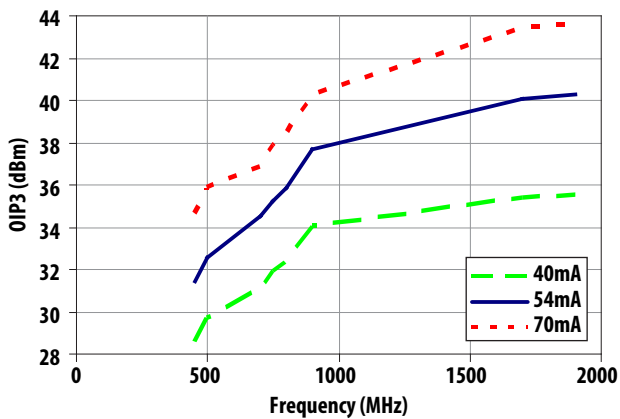


Figure 32. OIP3 vs Frequency vs Idd

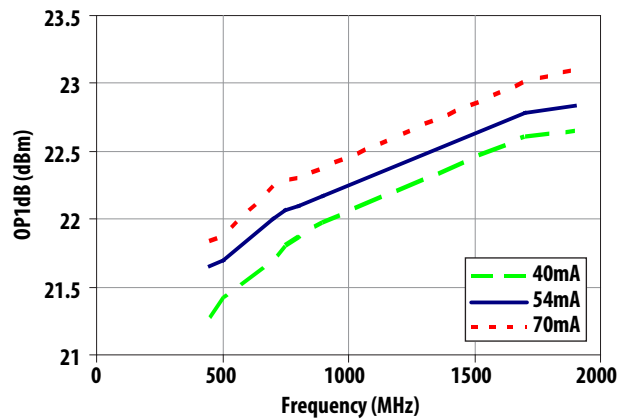


Figure 33. OP1dB vs Frequency vs Idd

**MGA-633P8 Typical Scattering Parameters, Vdd = 5V, Idd = 54mA**

| Freq<br>GHz | S <sub>11</sub> |         |       | S <sub>21</sub> |         | S <sub>12</sub> |         | S <sub>22</sub> |         |
|-------------|-----------------|---------|-------|-----------------|---------|-----------------|---------|-----------------|---------|
|             | Mag.            | Ang.    | dB    | Mag.            | Ang.    | Mag.            | Ang.    | Mag.            | Ang.    |
| 0.1         | 0.73            | -45.42  | 28.96 | 28.06           | 145.48  | 0.02            | 62.09   | 0.27            | -43.62  |
| 0.5         | 0.25            | -95.49  | 22.03 | 12.64           | 108.20  | 0.05            | 59.34   | 0.10            | -4.56   |
| 0.9         | 0.16            | -119.26 | 18.08 | 8.02            | 89.72   | 0.08            | 60.53   | 0.14            | -16.96  |
| 1.0         | 0.15            | -124.97 | 17.27 | 7.30            | 86.35   | 0.09            | 60.46   | 0.15            | -18.82  |
| 1.5         | 0.10            | -142.55 | 14.10 | 5.07            | 70.97   | 0.12            | 56.12   | 0.19            | -39.65  |
| 1.9         | 0.07            | -158.30 | 12.17 | 4.06            | 60.60   | 0.15            | 51.25   | 0.19            | -56.21  |
| 2.0         | 0.07            | -162.64 | 11.74 | 3.86            | 58.17   | 0.16            | 49.92   | 0.19            | -60.31  |
| 2.5         | 0.05            | 177.70  | 9.88  | 3.12            | 46.59   | 0.20            | 43.20   | 0.21            | -79.41  |
| 3.0         | 0.03            | 162.14  | 8.36  | 2.62            | 35.95   | 0.23            | 36.08   | 0.23            | -95.09  |
| 4.0         | 0.01            | -41.60  | 6.00  | 2.00            | 16.45   | 0.30            | 22.04   | 0.25            | -118.55 |
| 5.0         | 0.03            | -64.06  | 4.27  | 1.64            | -1.63   | 0.36            | 7.61    | 0.25            | -144.60 |
| 6.0         | 0.04            | -129.24 | 2.96  | 1.41            | -18.89  | 0.42            | -7.19   | 0.24            | -170.64 |
| 7.0         | 0.07            | -152.03 | 1.85  | 1.24            | -35.43  | 0.47            | -22.36  | 0.26            | 165.84  |
| 8.0         | 0.12            | -154.39 | 0.87  | 1.11            | -50.92  | 0.52            | -37.15  | 0.29            | 150.25  |
| 9.0         | 0.18            | -161.44 | 0.05  | 1.01            | -65.12  | 0.56            | -51.58  | 0.33            | 138.58  |
| 10.0        | 0.21            | -177.23 | -0.57 | 0.94            | -78.96  | 0.60            | -66.28  | 0.35            | 124.74  |
| 11.0        | 0.21            | 156.03  | -1.03 | 0.89            | -93.28  | 0.63            | -81.96  | 0.33            | 104.27  |
| 12.0        | 0.22            | 124.49  | -1.53 | 0.84            | -108.35 | 0.66            | -98.72  | 0.33            | 78.81   |
| 13.0        | 0.26            | 104.45  | -2.13 | 0.78            | -122.84 | 0.66            | -115.13 | 0.38            | 62.57   |
| 14.0        | 0.33            | 95.24   | -2.66 | 0.74            | -135.50 | 0.66            | -129.75 | 0.42            | 60.19   |
| 15.0        | 0.39            | 84.99   | -2.96 | 0.71            | -146.69 | 0.66            | -143.01 | 0.43            | 60.20   |
| 16.0        | 0.42            | 67.14   | -3.10 | 0.70            | -159.52 | 0.67            | -157.83 | 0.40            | 50.25   |
| 17.0        | 0.43            | 44.98   | -3.53 | 0.67            | -175.16 | 0.66            | -175.42 | 0.40            | 27.20   |
| 18.0        | 0.49            | 28.99   | -4.50 | 0.60            | 169.61  | 0.60            | 167.43  | 0.48            | 10.68   |
| 19.0        | 0.57            | 17.18   | -5.59 | 0.53            | 156.86  | 0.53            | 152.94  | 0.56            | 7.82    |
| 20.0        | 0.62            | 5.97    | -6.14 | 0.49            | 145.85  | 0.50            | 140.18  | 0.60            | 6.77    |

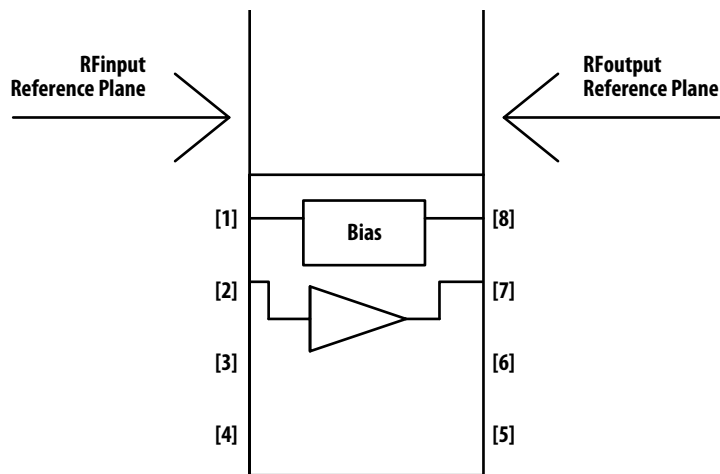


Figure 34

### Typical Noise Parameters, Vdd = 5V, Idd = 54mA

| Freq<br>GHz | Fmin<br>dB | $\Gamma_{opt}$<br>Mag. | $\Gamma_{opt}$<br>Ang. | $R_{n/50}$ |
|-------------|------------|------------------------|------------------------|------------|
| 0.5         | 0.46       | 0.169                  | -37                    | 0.051      |
| 0.7         | 0.38       | 0.15                   | -17                    | 0.0586     |
| 0.75        | 0.36       | 0.144                  | -15                    | 0.0532     |
| 0.8         | 0.35       | 0.136                  | -13                    | 0.0478     |
| 0.9         | 0.33       | 0.129                  | -7                     | 0.0446     |
| 1.7         | 0.46       | 0.048                  | 80.5                   | 0.0644     |
| 1.9         | 0.51       | 0.028                  | 98.7                   | 0.0498     |

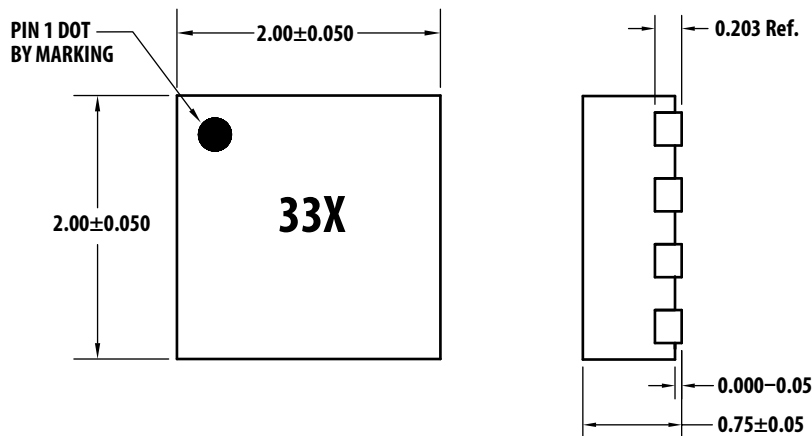
#### Notes:

1. The Fmin values are based on noise figure measurements at 100 different impedances using Focus source pull test system. From these measurements a true Fmin is calculated.
2. Scattering and noise parameters are measured on coplanar waveguide made on 0.010 inch thick ROGER 4350. The input reference plane is at the end of the RFinpin and the output reference plane is at the end of the RFoutput pin as shown in Figure 30.
3. S2P file with scattering and noise parameters for biasing 3V 54mA, 3.5V 54mA, 4V 54mA, 4.5V 54mA, 5V 40mA, 5V 54mA and 5V 70mA are available upon request.

### Part Number Ordering Information

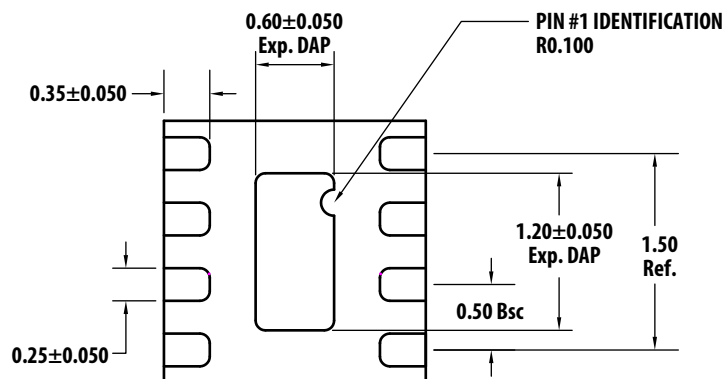
| Part Number    | No. of Devices | Container      |
|----------------|----------------|----------------|
| MGA-633P8-BLKG | 100            | Antistatic Bag |
| MGA-633P8-TR1G | 3000           | 7 inch Reel    |

### SLP2X2 Package



Top View

Side View

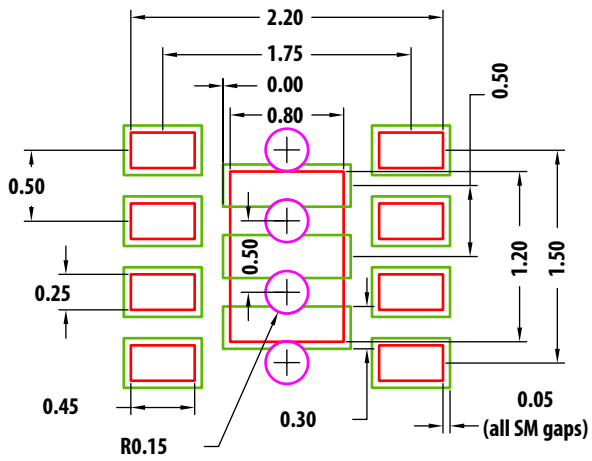


Bottom View

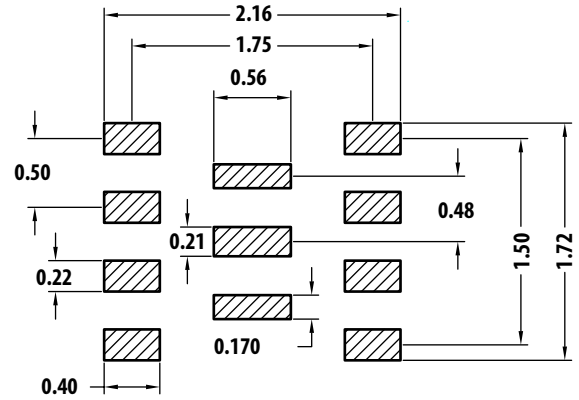
#### Notes:

1. All dimensions are in millimeters.
2. Dimensions are inclusive of plating.
3. Dimensions are exclusive of mold flash and metal burr.

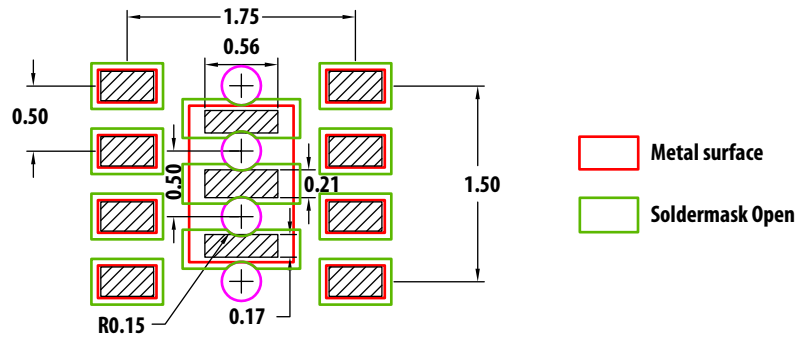
## Recommended PCB Land Pattern and Stencil Design



Land Pattern



Stencil Opening

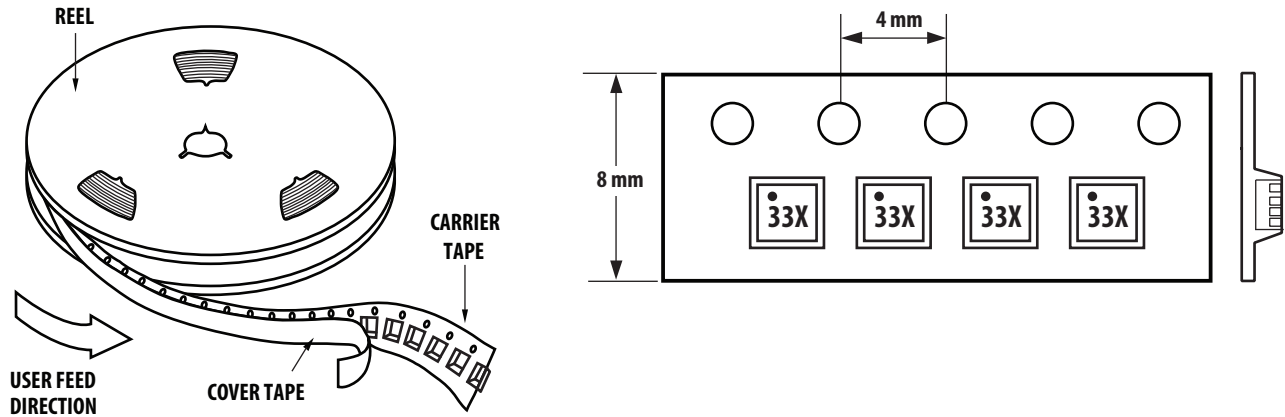


Combination of Land Pattern and Stencil Opening

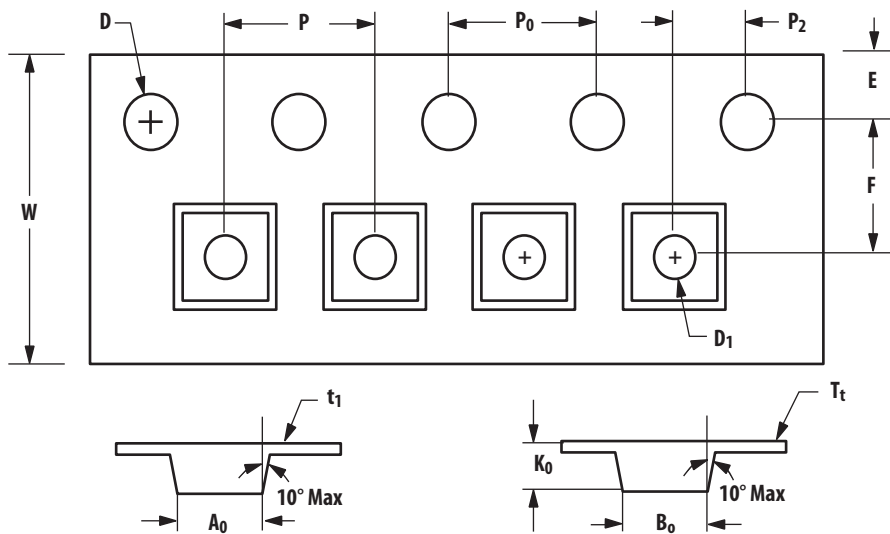
**Note:**

1. Recommended Land Pattern and Stencil Opening
2. Stencil thickness is 0.1mm (4 mils)
3. All dimension are in mm unless otherwise specified

## Device Orientation

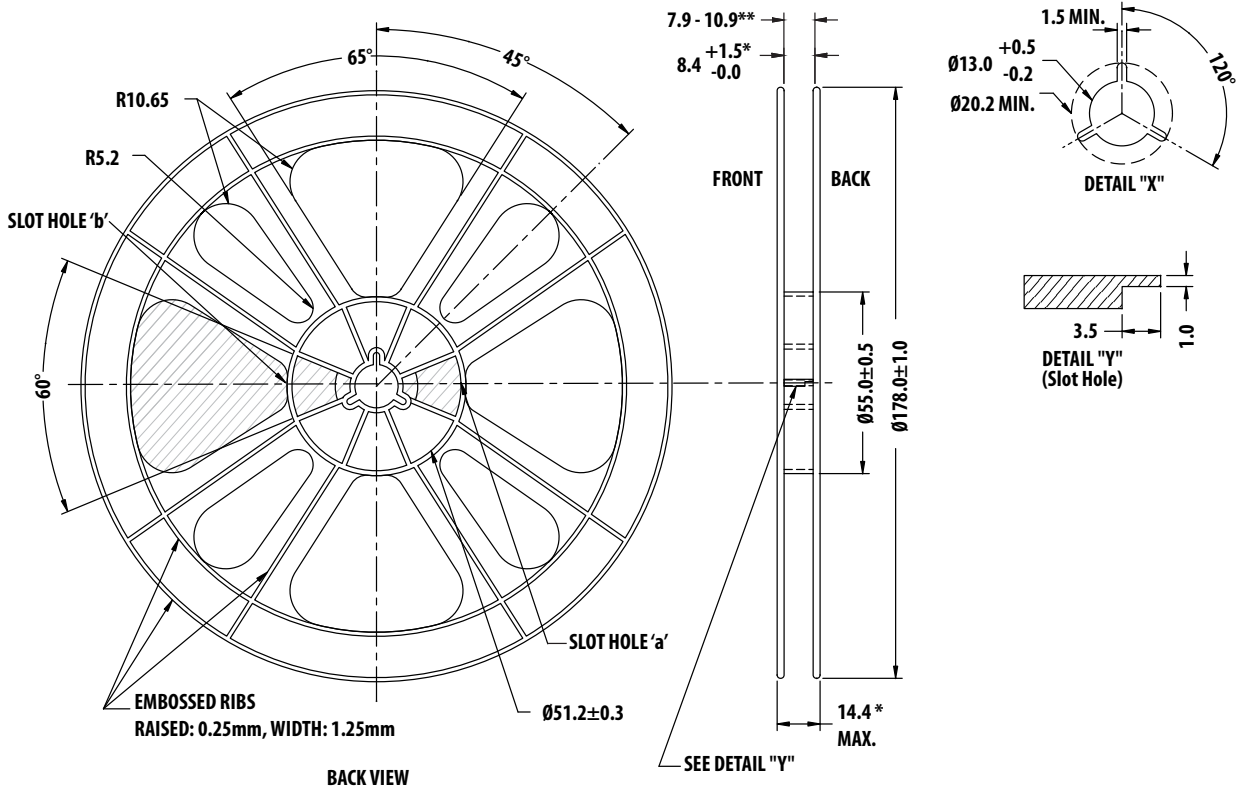
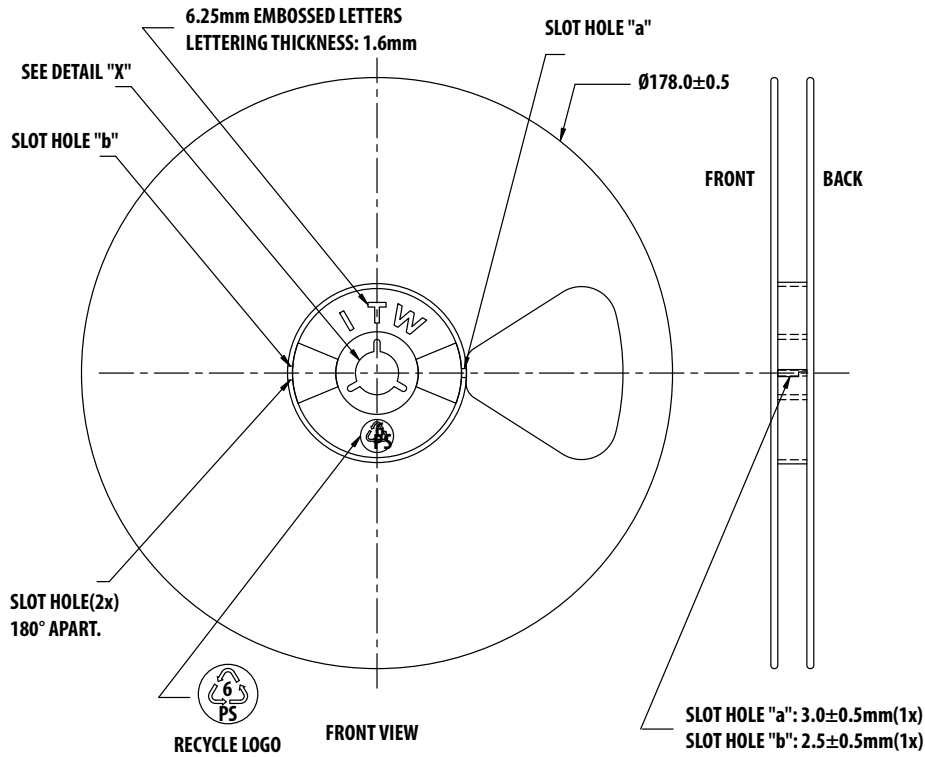


## Tape Dimensions



| DESCRIPTION  |  | SYMBOL | SIZE (mm)                        | SIZE (inches)                          |
|--------------|--|--------|----------------------------------|--|
| CAVITY       | LENGTH                                   | $A_0$  | $2.30 \pm 0.05$                  | $0.091 \pm 0.004$                      |
|              | WIDTH                                    | $B_0$  | $2.30 \pm 0.05$                  | $0.091 \pm 0.004$                      |
|              | DEPTH                                    | $K_0$  | $1.00 \pm 0.05$                  | $0.039 \pm 0.002$                      |
|              | PITCH                                    | $P_1$  | $4.00 \pm 0.10$                  | $0.157 \pm 0.004$                      |
|              | BOTTOM HOLE DIAMETER                     | $D$    | $1.00 + 0.25$                    | $0.039 + 0.002$                        |
| PERFORATION  | DIAMETER                                 | $D$    | $1.50 \pm 0.10$                  | $0.060 \pm 0.004$                      |
|              | PITCH                                    | $P_0$  | $4.00 \pm 0.10$                  | $0.157 \pm 0.004$                      |
|              | POSITION                                 | $E$    | $1.75 \pm 0.10$                  | $0.069 \pm 0.004$                      |
| CARRIER TAPE | WIDTH                                    | $W$    | $8.00 + 0.30$<br>$8.00 \pm 0.10$ | $0.315 \pm 0.012$<br>$0.315 \pm 0.004$ |
|              | THICKNESS                                | $t_1$  | $0.254 \pm 0.02$                 | $0.010 \pm 0.0008$                     |
| COVER TAPE   | WIDTH                                    | $C$    | $5.4 \pm 0.10$                   | $0.205 \pm 0.004$                      |
|              | TAPE THICKNESS                           | $T_t$  | $0.062 \pm 0.001$                | $0.0025 \pm 0.004$                     |
| DISTANCE     | CAVITY TO PERFORATION (WIDTH DIRECTION)  | $F$    | $3.50 \pm 0.05$                  | $0.138 \pm 0.002$                      |
|              | CAVITY TO PERFORATION (LENGTH DIRECTION) | $P_2$  | $2.00 \pm 0.05$                  | $0.079 \pm 0.002$                      |

# Reel Dimensions – 7 inch



For product information and a complete list of distributors, please go to our web site: [www.avagotech.com](http://www.avagotech.com)

Avago, Avago Technologies, and the A logo are trademarks of Avago Technologies in the United States and other countries. Data subject to change. Copyright © 2005-2014 Avago Technologies. All rights reserved. AV02-2329EN - July 8, 2014