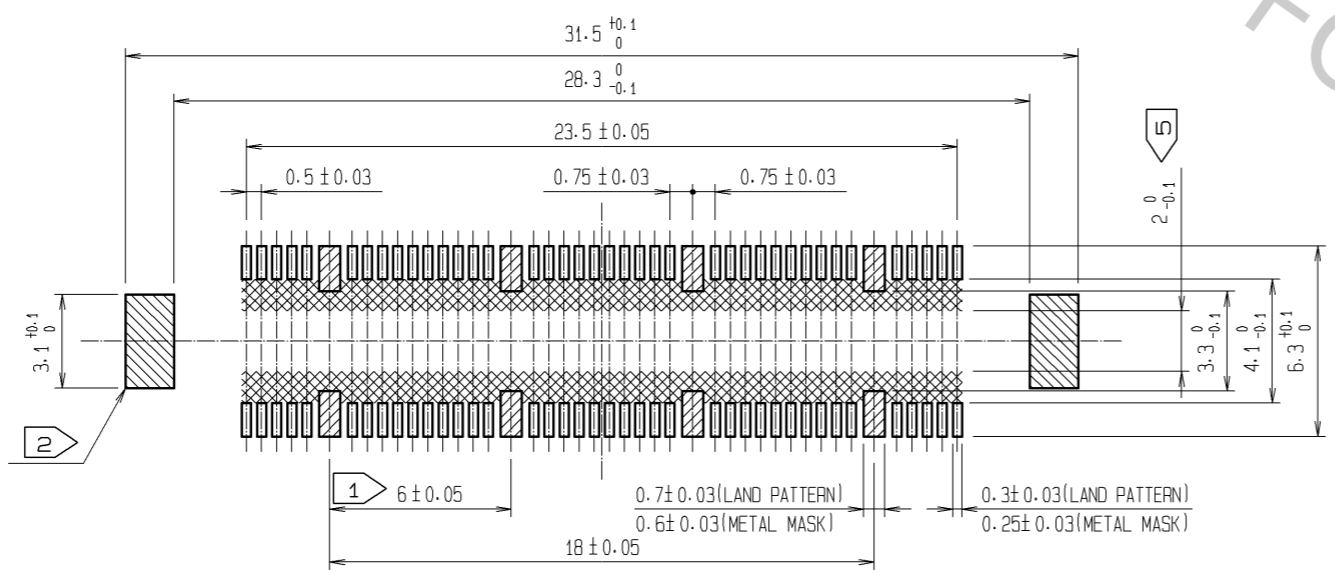


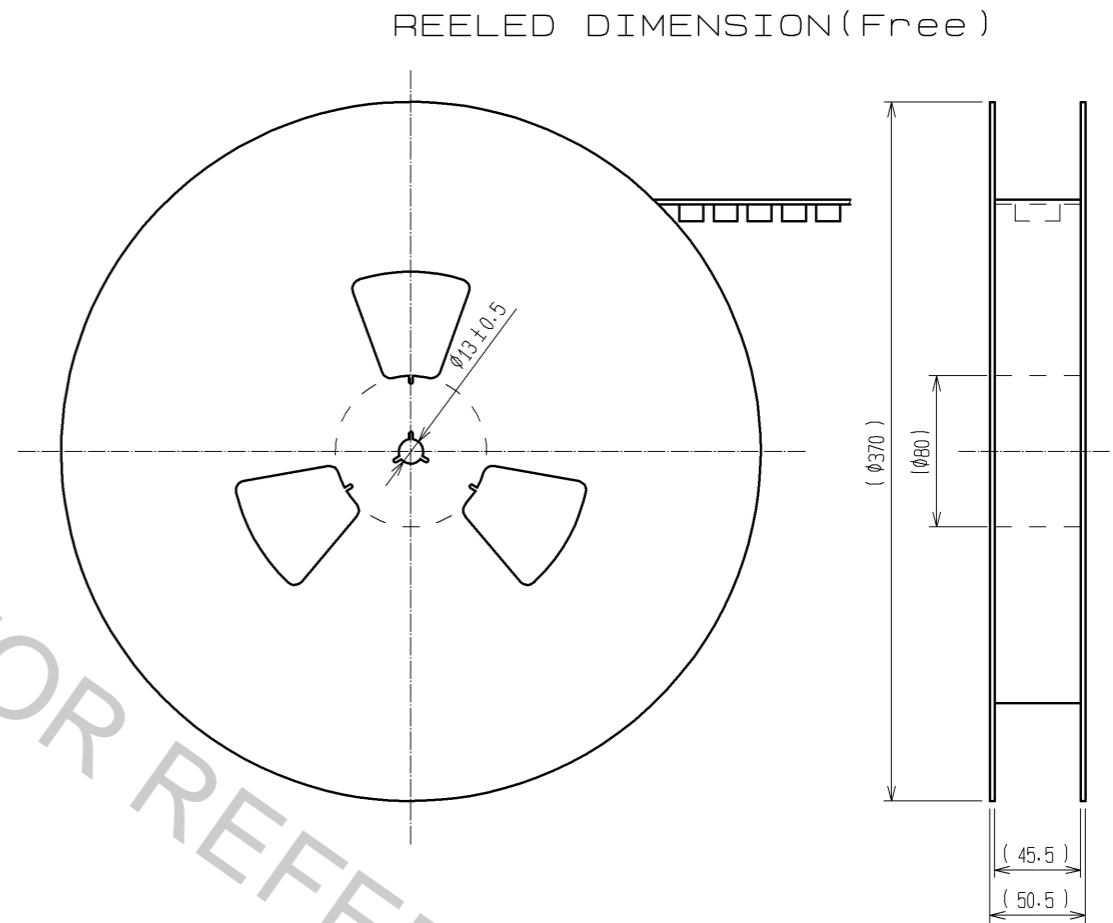
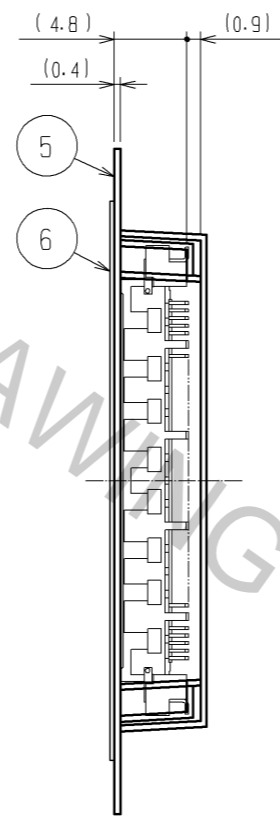
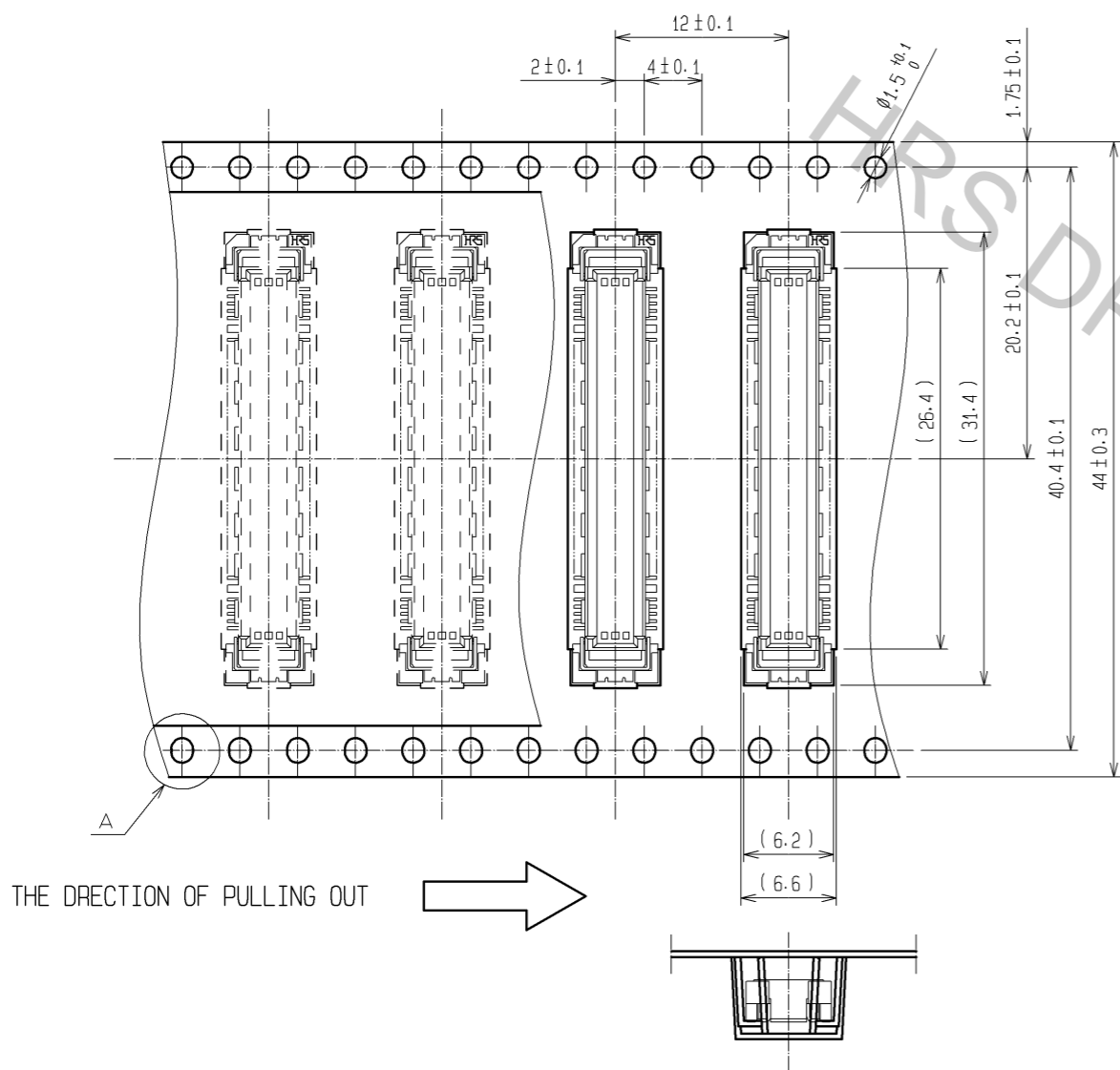
RECOMMENDED LAND PATTERN DIMENSION OF PCB



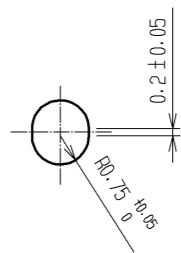
- NOTES
- ① 8 HATCHED PARTS:GROUND CIRCUIT.
 - ② 2 HATCHED PARTS:GROUND CIRCUIT.
 - 3 SMT LEAD-COPLANARITY:0.1 MAX.
 - 4 THIS PRODUCT HAS NO POLARITY TO PATTERN FOR MOUNTING.
 - ⑤ MAKE SURE WIDTH OF PATTERN IS WITHIN THAT OF LAND, OR LEAD MAY TOUCH PATTERN. (THIS APPLIES TO HATCHED AREA.)
 - 6 EMBOSS CARRIER TAPE PACKAGE IS APPLIED ON THIS PRODUCT. PLEASE REFER TO THE SHEET 2/2 FOR THE DETAILS.
 - 7 THE DIMENSIONS IN PARENTHESES ARE FOR REFERENCE.

4	PHOSPHOR BRONZE	TIN-PLATING					
3	PHOSPHOR BRONZE	CONTACT AREA:GOLD 0.1μm min. LEAD AREA :TIN-PLATING 1μm min. UNDER PLATING : NICKEL 1μm min.					
2	PHOSPHOR BRONZE	TIN-PLATING	6	POLYESTER	TOP COVER TAPE		
1	LCP	BEIGE UL94V-0	5	POLYSTYRENE	EMBOSSED CARRIER TAPE		
NO.	MATERIAL	FINISH	REMARKS	NO.	MATERIAL	FINISH	REMARKS
UNITS		SCALE		COUNT		DESCRIPTION OF REVISIONS	
mm		4 : 1		△		DESIGNED	
						CHECKED	
						DATE	
APPROVED : HS. OKAWA			07.10.15			DRAWING NO. EDC3-151964-21	
CHECKED : HS. OZAWA			07.10.15			PART NO. FX10B-80P/8-SV1(91)	
DESIGNED : SY. KAMIGA			07.10.15			CODE NO. CL570-0121-7-91	
DRAWN : HK. SUNADORI			07.10.12				

DRAWING FOR PACKING (2:1)



A (5:1)



- NOTES
- 1 REEL : 1000 CONNECTORS.
 - 2 MINIMUM 10 COMPARTMENTS FROM BOTH REEL ENDS REMAIN EMPTY.
 - 3 THIS PRODUCT HAS NO POLARITY TO TAPE AND REEL PACKAGING.
 - 4 THE DIMENSIONS IN PARENTHESES ARE FOR REFERENCE.

HRS	DRAWING NO.	EDC3-151964-21
	PART NO.	FX10B-80P/8-SV1(91)
	CODE NO.	CL570-0121-7-91
		△ 2/2