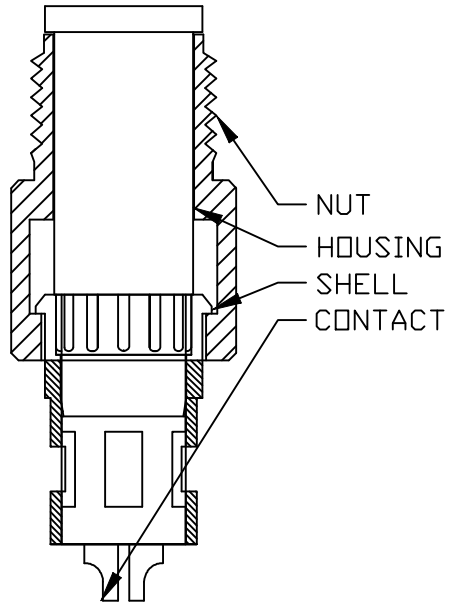
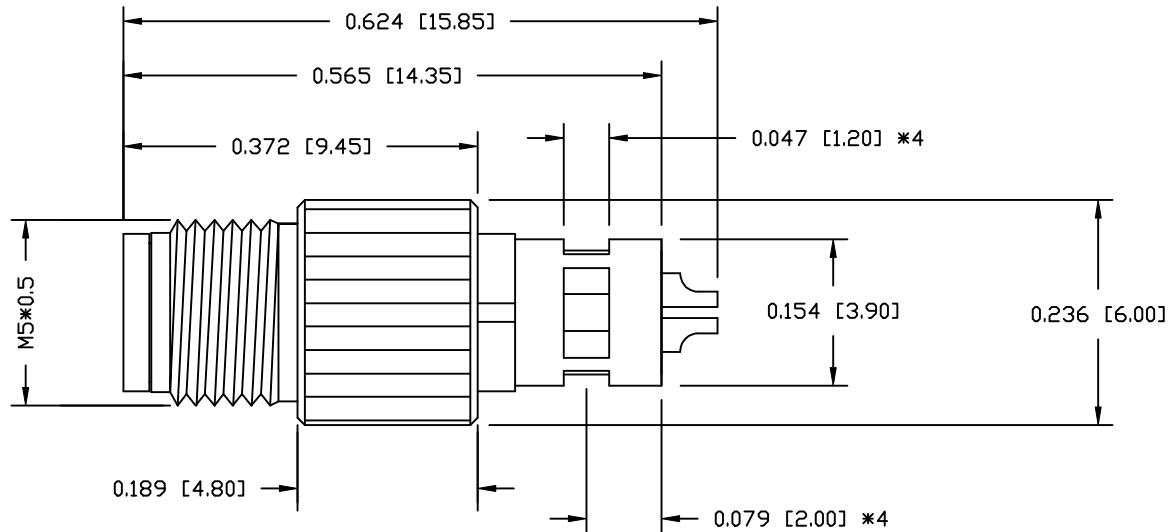
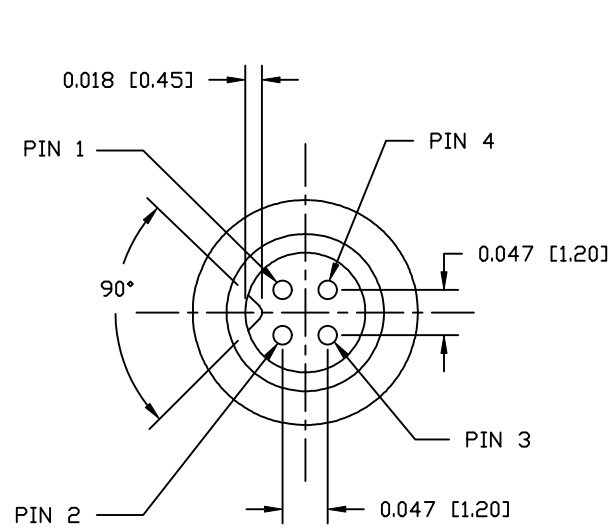


**DESCRIPTION: M5 MALE - CABLE MOUNT - SOLDER CUP - 4 POSITION - SHIELDED**



**NOTE:**

<b>MATERIAL</b>	
HOUSING:	TPU, BLACK
CONTACT:	BRASS
NUT:	BRASS
SHELL:	BRASS
<b>FINISH</b>	
CONTACT:	GOLD PLATED OVER 50µ" NICKEL
NUT:	NICKEL PLATED
SHELL:	BRIGHT TIN PLATED
<b>ELECTRICAL</b>	
RATED CURRENT:	1A
RATED VOLTAGE:	60V
INSULATION RESISTANCE:	100 mΩhms MIN.
CONTACT RESISTANCE:	10 MΩhms MAX.
WATER PROOF:	IP67
<b>ENVIRONMENT</b>	
OPERATION TEMPERATURE:	-40°C TO +85°C
WIRE GAUGE:	26-28 AWG
MATING TORQUE:	1.5 in lbs max.

**850-004-103RLSY**

1 = GOLD FLASH  
4 = 10µ" GOLD

RoHS COMPLIANT

DO NOT SCALE FROM DRAWING



THESE DRAWINGS AND SPECIFICATIONS ARE THE PROPERTY OF NorComp AND SHALL NOT BE REPRODUCED, COPIED OR USED AS THE BASIS FOR THE MANUFACTURE OR SALE OF APPARATUS WITHOUT WRITTEN PERMISSION.

<b>DRAWN:</b> M. SIGMON	<b>DATE:</b> 03-04-16
<b>CHECKED:</b>	<b>DATE:</b>

**NorComp**

<b>SCALE:</b> NTS	<b>SHEET</b> 1 <b>OF</b> 1	<b>REV</b> 2
<b>DWG NO.</b> 850-004-103RLSY		