

THIS DRAWING IS UNPUBLISHED.

RELEASED FOR PUBLICATION

--

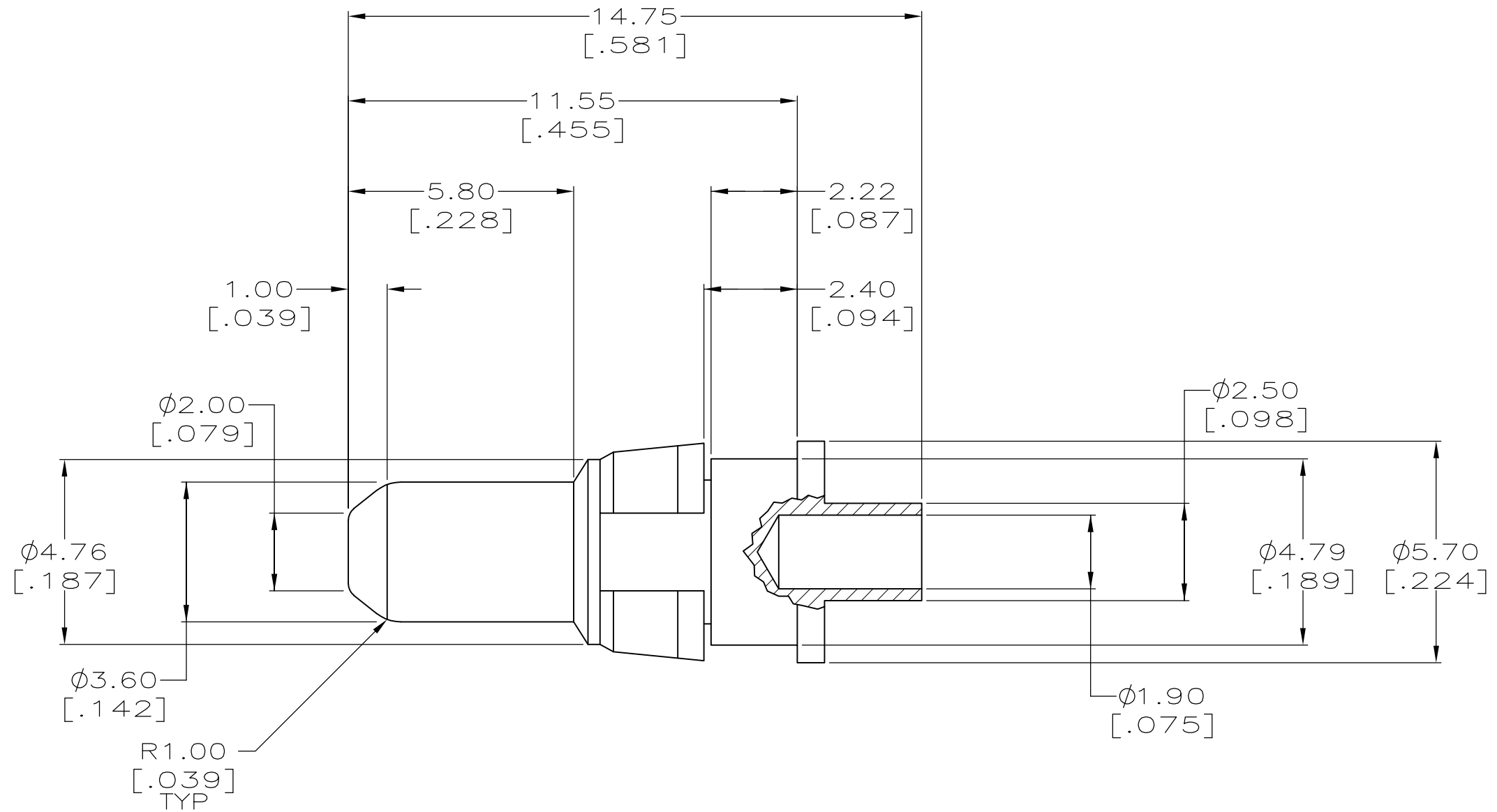
© COPYRIGHT BY TYCO ELECTRONICS CORPORATION. ALL RIGHTS RESERVED.

ALL RIGHTS RESERVED.

LOC
AD
DIST
00

REVISIONS

P	LTR	DESCRIPTION	DATE	DWN	APVD
B		REV PER EC 0512-0302-05	05DEC05	BC	GS
C		ECR-10-019054	15SEP10	DP	MQW



- ① CONTACT: BRASS.
RETAINING RING: BERYLLIUM COPPER.
- ② CONTACT: 0.76 μ m [.000030] MIN GOLD
OVER 1.27 μ m [.000050] MIN NICKEL.

148533-1

PART
NUMBER

THIS DRAWING IS A CONTROLLED DOCUMENT.		DWN B.CARBO 03 JUN 99	Tyco Electronics Corporation Harrisburg, PA 17105-3608						
DIMENSIONS: mm [INCHES]		CHK C.RICHARD 03 JUN 99							
		APVD C.RICHARD 03 JUN 99							
TOLERANCES UNLESS OTHERWISE SPECIFIED:		PRODUCT SPEC -	NAME POWER CONTACT, MALE, SHORT CUP, (10 AMP)						
0-PLC ± ± ± 0.2		APPLICATION SPEC -					SIZE A3	CAGE CODE 00779	DRAWING NO C-148533
1-PLC ± ± ±		WEIGHT -					RESTRICTED TO -		
2-PLC ± ± ± 0.13 [.005]		CUSTOMER DRAWING					SCALE 8:1	SHEET 1 of 1	REV C
3-PLC ± ± ±									
4-PLC ± ± ±									
ANGLES ± ± ±									
MATERIAL ①	FINISH ②								