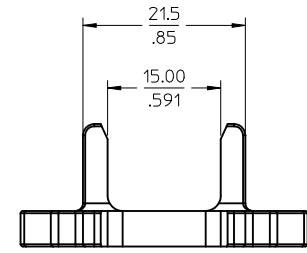
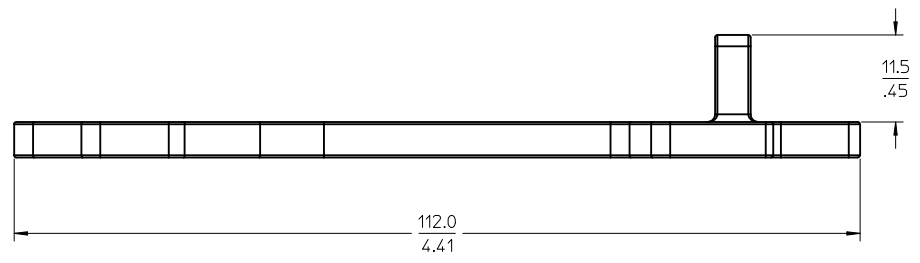
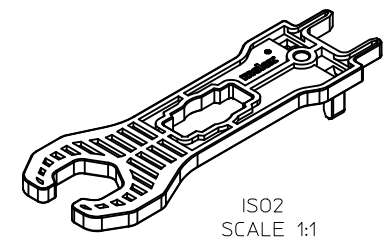
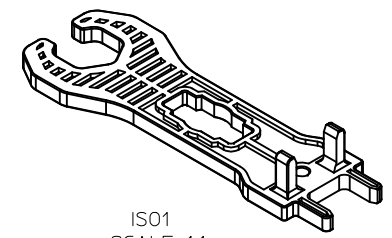
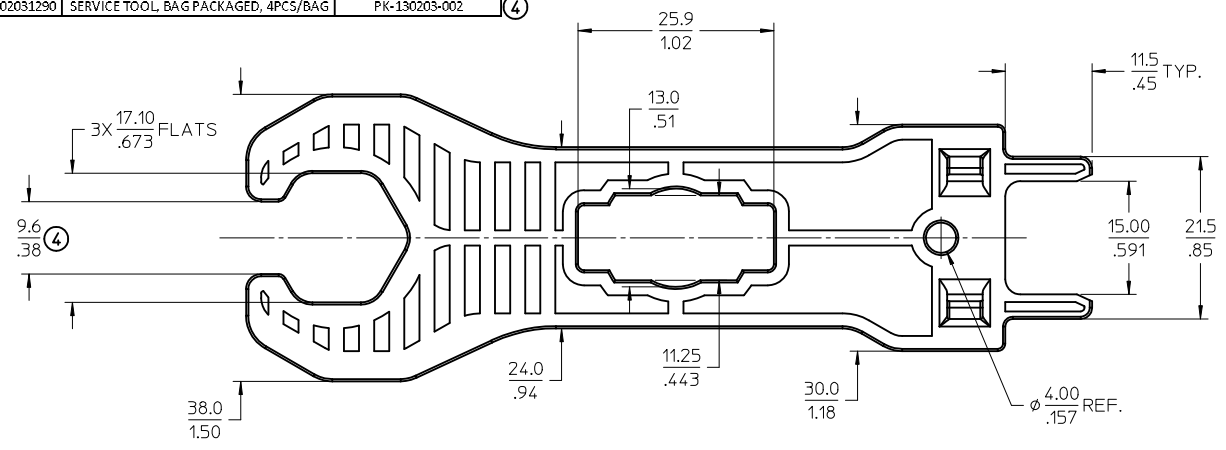


MATERIAL NUMBER	DESCRIPTION	PACKAGING SPECIFICATION
1302031250	SERVICE TOOL, BULK PACKAGED	PK-130203-001
1302031290	SERVICE TOOL, BAG PACKAGED, 4PCS/BAG	PK-130203-002

④



NOTES:

1. MATERIAL: POLYAMIDE 66 (PA66)
2. FINISH: BLACK
3. PRODUCT SPECIFICATION: PS-130244-001
- ④ 4. PACKAGING SPECIFICATION: SEE CHART
5. APPLICATION SPECIFICATION: AS-130244-001
6. USE WITH: 130244 SERIES HOUSING ASSEMBLIES

REV	DESCRIPTION	DATE
4	UPDATE PER FPR/ADD MATL#	2011/01/18
	EC NO: WNA2011-0358	2011/01/05
	DRWN:CLYORK	
	CHKD:	
	APPR:DTITUS	

QUALITY SYMBOLS	▽=0
	▽=0

GENERAL TOLERANCES (UNLESS SPECIFIED)	
PLACES	TOLERANCE
4 PLACES	± .005
3 PLACES	± .010
2 PLACES	± .020
1 PLACE	± .050
ANGULAR ± 3°	

DRAFT WHERE APPLICABLE MUST REMAIN WITHIN DIMENSIONS

DIMENSION STYLE	
MM/IN	
DRAWN BY	DATE
CLYORK	2010/04/15
CHECKED BY	DATE
DTITUS	2010/04/15
APPROVED BY	DATE
DTITUS	2010/05/07

SCALE	DESIGN UNITS	THIRD ANGLE PROJECTION
2:1	METRIC	☉
TITLE UNLOCK TOOL, PV SOLAR DC CONNECTOR		
MATERIAL NO. SEE CHART		DOCUMENT NO. SD-130203-001
SIZE C		SHEET NO. 1 OF 1