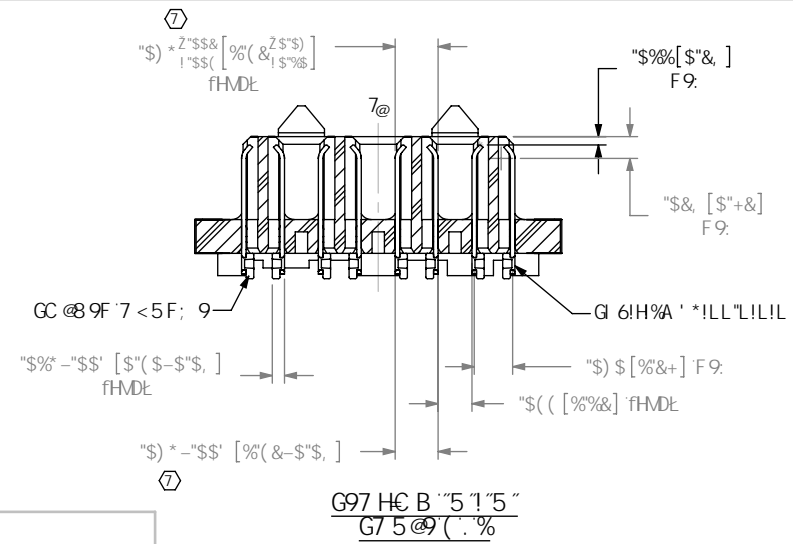
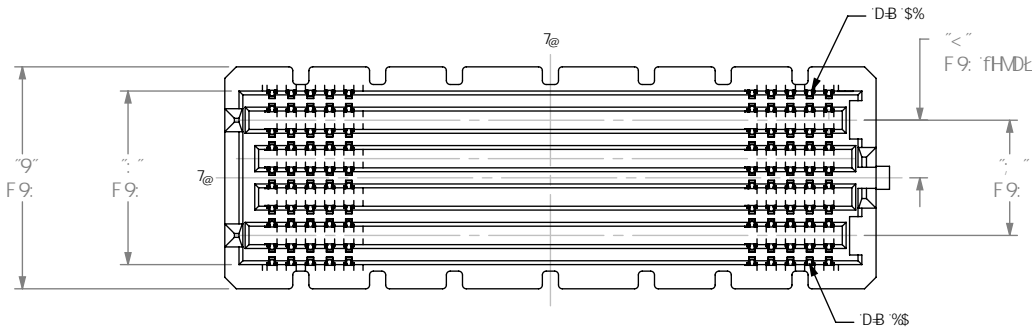




⊕ " &  
 !%\$.%\$FC K  
 fG5A 95G: ⊕ "%9L7 9DH5G<C K B⊥  
 fG95A !' \$!\$&\$!LL!%\$!%G<C K B⊥  
 fGC A 97 9BHF: 95H F9GBC HG<C K B: CF 7 @5F #M⊥



⊕ " " "  
 15.5@ BA 9BHD B GC DHC B  
 5DD@9HC 5@15 C DHC B D5FHB 1 A 69FG  
 fG5A 95G: ⊕ "%9L7 9DH5G<C K B⊥  
 fG95A !' \$!\$&\$!LL!%\$!%G<C K B⊥  
 fGC A 97 C BH57 HGBC HG<C K B: CF 7 @5F #M⊥

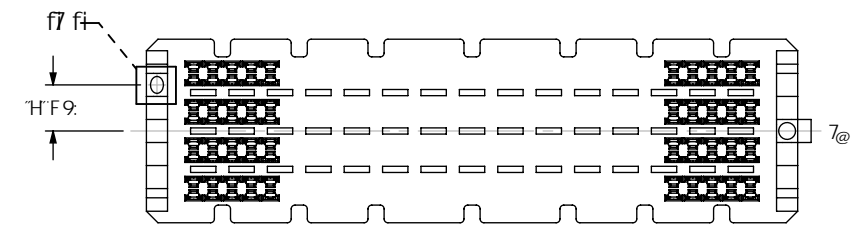
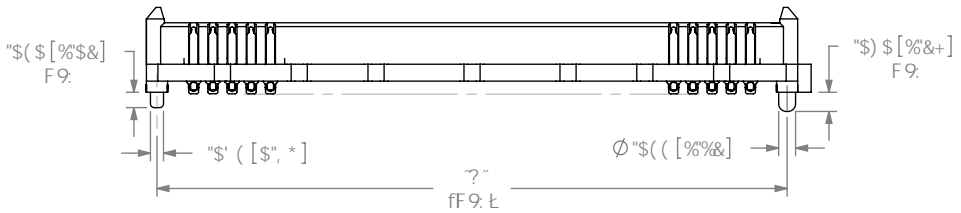
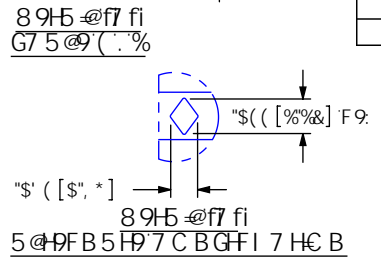


TABLE 11

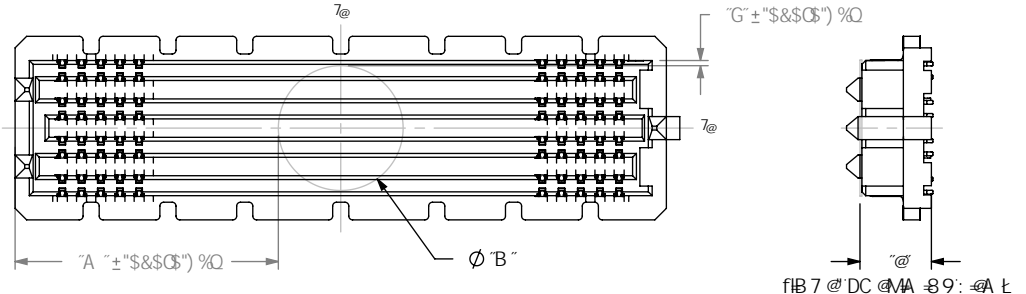
No. OF ROWS	"T"
-04	.079[2.01]
-05	.120[3.05]
-06	.120[3.05]
-08	.120[3.05]
-10	.120[3.05]

TABLE 5

No. OF POS	"K"
***-10	.641[16.28]
****-15	.891[22.63]
-20	1.141 [29.98]
*****-25	1.391[35.33]
-30	1.641 [41.68]
-40	2.141 [54.38]
-50	2.641 [67.08]



⊕ " "  
 !?.?5 DHC B D58 C DHC B  
 fG95A !' \$!\$&\$!LL!%\$!%G<C K B⊥  
 fG5A 95G: ⊕ "%9L7 9DH5G<C K B⊥  
 fB @7 C BH57 HGBC HG<C K B: CF 7 @5F #M⊥



A "1ff15 fG99H5 6@9" B B ⊥#&⊥" \$&\$

"1 1 BC HHC C @98  
 H 1 BC HF 9@95G98: C F DFC 81 7 HC B

TABLE 6

LEAD STYLE	"L"
-02.0	.186 [4.72]
-03.0	.225 [5.72]
-03.5	.245 [6.22]
**06.5	.365 [9.27]
-07.0	.382 [9.70]
-09.0	.461 [11.71]
-11.0	.540 [13.72]
*-13.0	.619 [15.72]

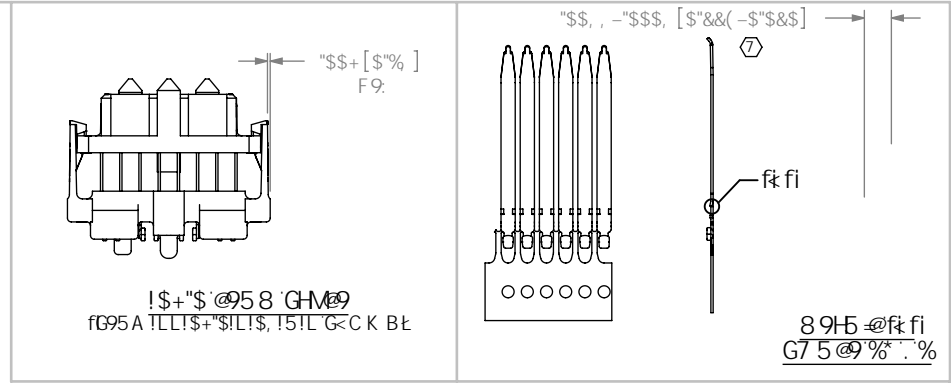
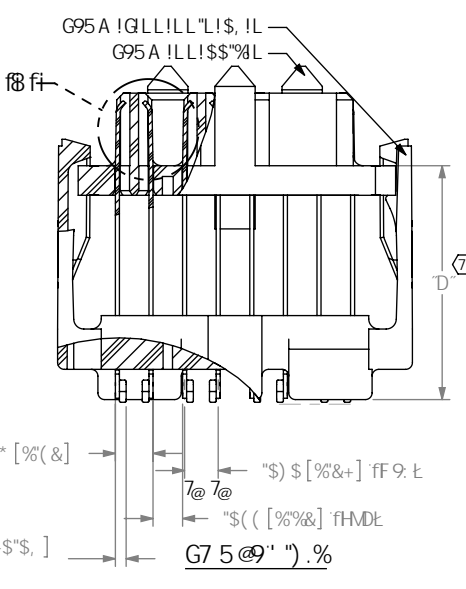
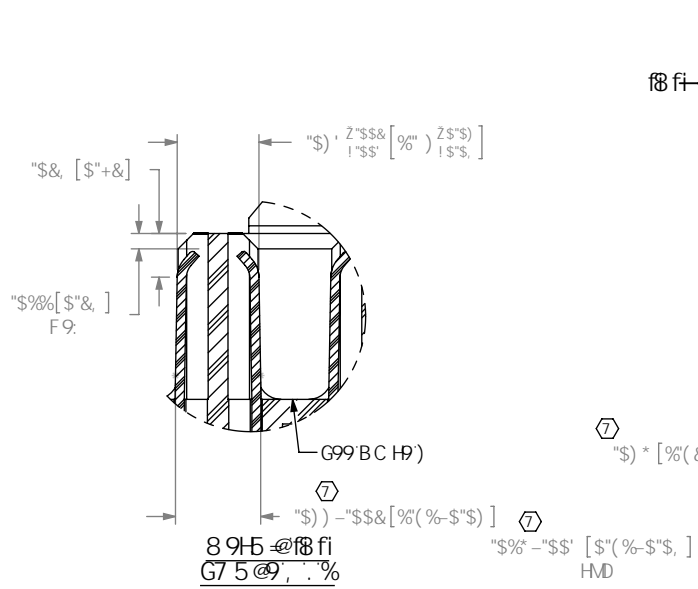
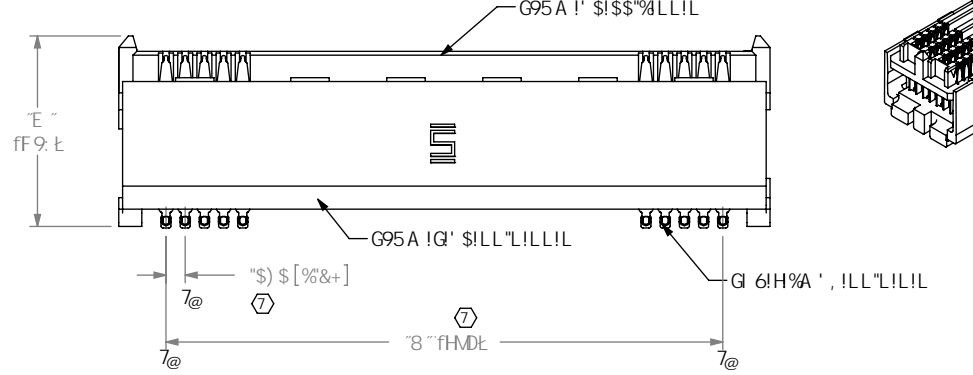
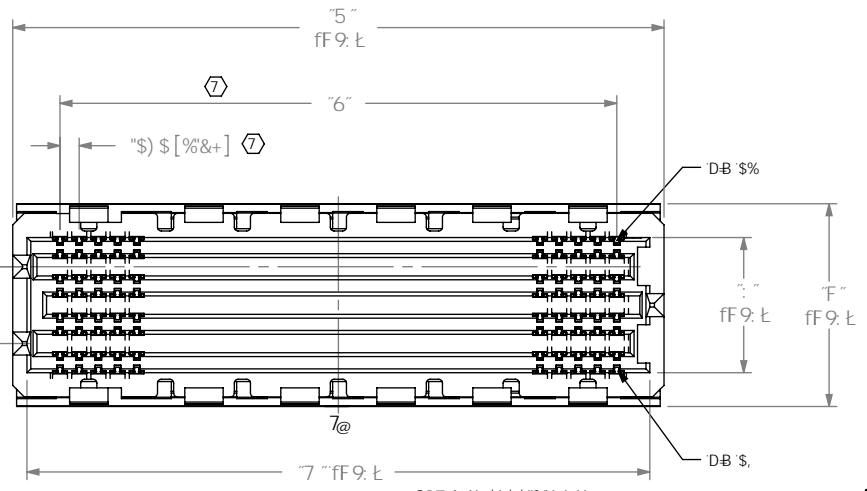
DFC DF 9H5 FMBC H9  
 H: 6BC 71A 98H7 C B15 BG B: CFA 5HC B  
 7CB: 898H5 9588 DFC DF 98F HMC  
 GSA H97 2 87 588 G-588BC H69 F90FC 81 7 98  
 CF HF58G 9F98 HC CH: 9F 8C 71A 98HC F  
 8 47 @ 98H HC CH: 9F GCF 1 98: CF 58M  
 DI FDC 09 CH: 9F H: 5B H: 5HK <? < HK 5G  
 C 615 B 98 K H: C1 H: 9 9L DF 9098 K F #88  
 7 C B 98HC: GSA H97 2 87 "

8C BCH G7 5 @9 8F5K B:  
 G: 99HG7 5 @9 5% &

TABLE 8

No. OF ROWS	Ø "N"	"S"
-04	.138[3.50]	.007[.18]
-05, -06	.236 [6.00]	.008 [0.20]
-08	.325 [8.25]	.014 [0.34]
-10	.404 [10.25]	.024 [0.61]

!\$\*) HkFl 1% " \$ @958 GHM@G  
 FG5A 95G: ± "%Z9L7 9DH5GG<CK BL  
 FG95A I' \$!\$- "SILL!\$, IL!L G<CK BL  
 FGC A 97 9BH9F : 95H F9GBC HG<CK B : CF 7 @5F+M



**TABLE 9**  
STACK HEIGHT

SEAM-S LEAD STYLE	SEAF LEAD STYLE		
	-05.0	**-06.0	-06.5
** -06.5	11.5mm	12.5mm	13mm
-07.0	12mm	13mm	13.5mm
-09.0	14mm	15mm	15.5mm
-11.0	16mm	17mm	17.5mm
*-13.0	18mm	19mm	19.5mm

I 1' BC HHC @98  
 H 1' BC HF9@95G98 : C F DFC 8I 7 HC B

**TABLE 10**

ROW	STYLE	"P"	"Q"	"R"	SPACER BODY	TOP BODY	TERMINAL
-04	-07.0	.271 [6.88]	.417 [10.60]	.328 [8.33]	SEAM-S-XX-07.0-04-X	SEAM-XX-00.1-04	SUB-T-1M38-07.0-X-X
	-09.0	.350 [8.89]	.496 [12.60]	.328 [8.33]	SEAM-S-XX-09.0-04-X	SEAM-XX-00.1-04	SUB-T-1M38-09.0-X-X
	-11.0	.429 [10.90]	.575 [14.60]	.328 [8.33]	SEAM-S-XX-11.0-04-X	SEAM-XX-00.1-04	SUB-T-1M38-11.0-X-X
-05	-07.0	.271 [6.88]	.417 [10.60]	.428 [10.87]	SEAM-S-XX-07.0-06-X	SEAM-XX-00.1-05	SUB-T-1M38-07.0-X-X
	-09.0	.350 [8.89]	.496 [12.60]	.428 [10.87]	SEAM-S-XX-09.0-06-X	SEAM-XX-00.1-05	SUB-T-1M38-09.0-X-X
	-11.0	.429 [10.90]	.575 [14.60]	.428 [10.87]	SEAM-S-XX-11.0-06-X	SEAM-XX-00.1-05	SUB-T-1M38-11.0-X-X
	*-13.0	.508 [12.90]	.654 [16.60]	.428 [10.87]	SEAM-S-XX-13.0-06-X	SEAM-XX-00.1-05	SUB-T-1M38-13.0-X-X
-06	-07.0	.271 [6.88]	.417 [10.60]	.428 [10.87]	SEAM-S-XX-07.0-06-X	SEAM-XX-00.1-06	SUB-T-1M38-07.0-X-X
	-09.0	.350 [8.89]	.496 [12.60]	.428 [10.87]	SEAM-S-XX-09.0-06-X	SEAM-XX-00.1-06	SUB-T-1M38-09.0-X-X
	-11.0	.429 [10.90]	.575 [14.60]	.428 [10.87]	SEAM-S-XX-11.0-06-X	SEAM-XX-00.1-06	SUB-T-1M38-11.0-X-X
	*-13.0	.508 [12.90]	.654 [16.60]	.428 [10.87]	SEAM-S-XX-13.0-06-X	SEAM-XX-00.1-06	SUB-T-1M38-13.0-X-X
-08	** -06.5	.252 [6.40]	.400 [10.16]	.528 [13.41]	SEAM-S-XX-06.5-08-X	SEAM-XX-00.1-08	SUB-T-1M38-06.5-X-X
	-07.0	.271 [6.88]	.417 [10.60]	.528 [13.41]	SEAM-S-XX-07.0-08-X	SEAM-XX-00.1-08	SUB-T-1M38-07.0-X-X
	-09.0	.350 [8.89]	.496 [12.60]	.528 [13.41]	SEAM-S-XX-09.0-08-X	SEAM-XX-00.1-08	SUB-T-1M38-09.0-X-X
	-11.0	.429 [10.90]	.575 [14.60]	.528 [13.41]	SEAM-S-XX-11.0-08-X	SEAM-XX-00.1-08	SUB-T-1M38-11.0-X-X
-10	*-13.0	.508 [12.90]	.654 [16.60]	.528 [13.41]	SEAM-S-XX-13.0-08-X	SEAM-XX-00.1-08	SUB-T-1M38-13.0-X-X
	** -06.5	.252 [6.40]	.400 [10.16]	.628 [15.95]	SEAM-S-XX-06.5-10-X	SEAM-XX-00.1-10	SUB-T-1M38-06.5-X-X
	-07.0	.271 [6.88]	.417 [10.60]	.628 [15.95]	SEAM-S-XX-07.0-10-X	SEAM-XX-00.1-10	SUB-T-1M38-07.0-X-X
	-09.0	.350 [8.89]	.496 [12.60]	.628 [15.95]	SEAM-S-XX-09.0-10-X	SEAM-XX-00.1-10	SUB-T-1M38-09.0-X-X
-10	-11.0	.429 [10.90]	.575 [14.60]	.628 [15.95]	SEAM-S-XX-11.0-10-X	SEAM-XX-00.1-10	SUB-T-1M38-11.0-X-X
	*-13.0	.508 [12.90]	.654 [16.60]	.628 [15.95]	SEAM-S-XX-13.0-10-X	SEAM-XX-00.1-10	SUB-T-1M38-13.0-X-X

I 1' BC HHC @98  
 H 1' BC HF9@95G98 : C F DFC 8I 7 HC B

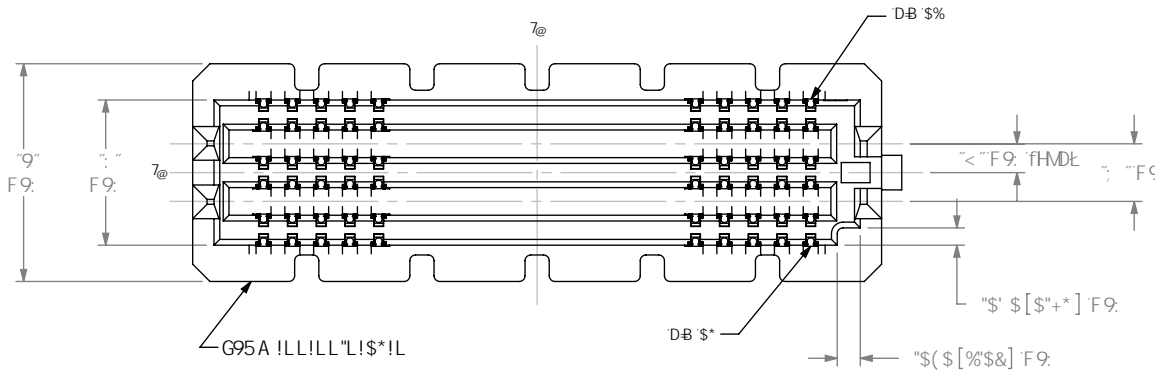
DFC DF 95 FMBC H9  
 H: GBC 71A 98H7 C B16 BG B: CFA 5HC B  
 7 C B: @98H5 95B8 DFC DF 945 FMC  
 GSA H97 2 87 588 G-588BC H69 F90FC 81 7 98  
 C F H58G 9F98 HC C H: 9F 8C 71A 98HC F  
 8 47 @C 98 HC C H: 9F GCF I 98: C F 58M  
 DI FDC 9 C H: 9F H: 5B H: 5HK < 7 < Hk 5G  
 C 616 B 98 K H: C I H: 9 L DF 9098 K F H 68  
 7 C B 98HC : GSA H97 2 87 \*

8C BCHG7 5@ 8F5K B:

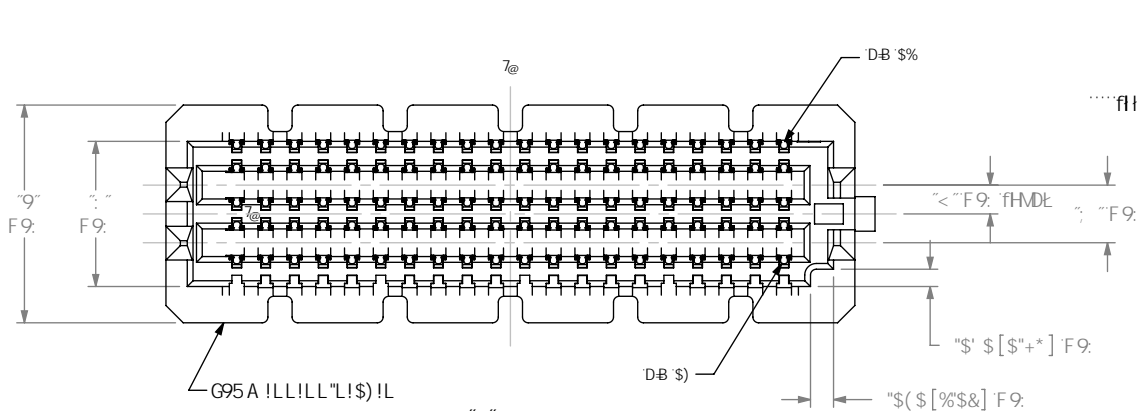
G: 99H7 5@ 8% :



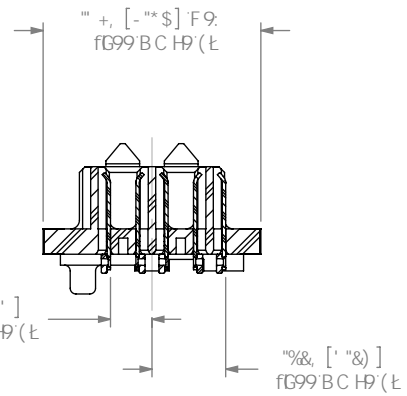
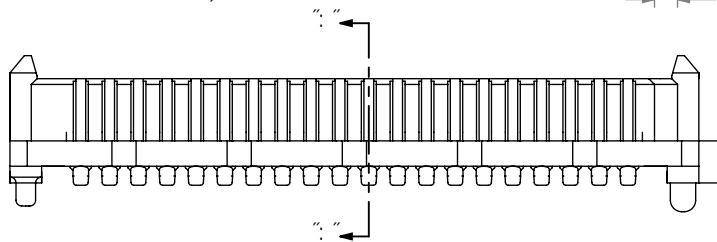
8967 F DHC B:  
 "\$) \$D#7 < H9FA -B5@5FF5M5G9A 6@M  
 8K : "BC"  
**G95A ILLILL LILLILL LILL**  
 6M 6F5H7 < 9F \$\* #S&#&\$\$( G< 99H' C: +



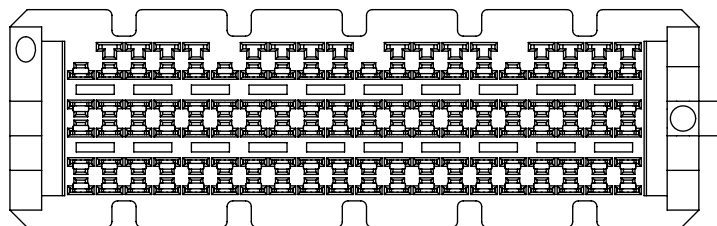
: ÷ " \*  
 ! \$ \* \* FCK G  
 FG5A 9 5 G: ÷ " \* 9 L 7 9 DH5 G G < C K B L  
 FG95A ! & \$ ! \$ & " ! L L ! \$ \* ! L ! 5 ' G < C K B L  
 F C A 9 7 9 B H F : 9 5 H F 9 G B C H G < C K B : C F 7 @ F # M L  
 " \$ ! ! \$ + " \$ Z ! ! \$ - " \$ Z ! ! ! % \$ Z / ' ! ! % " @ 9 5 8 G H M 9 G ! & \$ Z ! ' \$ Z ! ( \$ Z / ! ) \$ D C G H C B C L  
 " \$ \$ [ \$ \* + ] F 9  
 " \$ ( \$ [ % \$ & ] F 9  
 " \$ ( \$ [ % \$ & ] F 9



: ÷ " +  
 ! \$ . ) FCK G  
 FG5A 9 5 G: ÷ " \* 2 9 L 7 9 DH5 G G < C K B L  
 FG95A ! & \$ ! \$ & " ! L L ! \$ ! L ! 5 ' G < C K B L  
 F C A 9 7 9 B H F : 9 5 H F 9 G B C H G < C K B : C F 7 @ F # M L  
 " \$ ! ! \$ + " \$ Z ! ! \$ - " \$ Z ! ! ! % \$ Z / ' ! ! % " @ 9 5 8 G H M 9 G ! & \$ Z ! ' \$ Z ! ( \$ Z / ! ) \$ D C G H C B C L  
 " \$ \$ [ \$ \* + ] F 9  
 " \$ ( \$ [ % \$ & ] F 9



G97 HC B " : " ! " :



DFC.DF.95.FMBC.H9  
 H: GBC 71A 98H7C B16 BG B: CFA 5HC B  
 7C B: @98H595B8 DFC DF 945F4M C  
 GSA H9728755B8 G-5MBC H69 F90FC 81 7 98  
 CF HF5B G 9F 98 HC C H: 9F BC 71A 98HG CF  
 8 47 @ 98 HC C H: 9F G C F I 98: CF 58M  
 DI FDC 69 CH: 9F H: 5B H: 5HK < 7 < H K 5G  
 C 616 B 98 K H: C I H H: 9 L DF 9098 K F # 68  
 7C B 98 HC : GSA H97287\*



) & \$ D5F? 95GH6@ 8ZB9K 5@5BM:B (+) \$  
 D<C B 9 ; % & L - (( ! \* + ; : ' , ' ) \$ ( +  
 YIA UJ ; . ð ÷ 4 GSA H97 " M a " " " W & X Y . ) ) &&  
 89G7 F @HC B.  
 "\$) \$ D # 7 < H 9 F A # B 5 @ 5 FF 5 M 5 G 3 A 6 @ M  
 8K : " " B C "  
**G95A !LL!LL"!!L!LL!LL!LL**  
 6M 6F5H7 < 9F \$ \* # \$ & # \$ \$ ( G < 99H ("C : +

HI: D: I-89DC GHC DHC B  
 FC B @M5 J 5 @56 @K #k !&'\$ @958 G M @Z (/ \* FCK Z&\$z' \$z (\$z/ ) \$' DC GHC BGL  
 fG5A 95G: ± "%z 9L 7 9DH5 GG< C K B L  
 fG95A !&!'\$&"\$!LL!\$\*!&5!; D'G< C K B L  
 fGC A 97 C B H 5 7 H G B C H G < C K B': C F 7 @5F #M L  
 H 1' B C H F 9 @95 G 98 : C F DFC 81 7 H C B

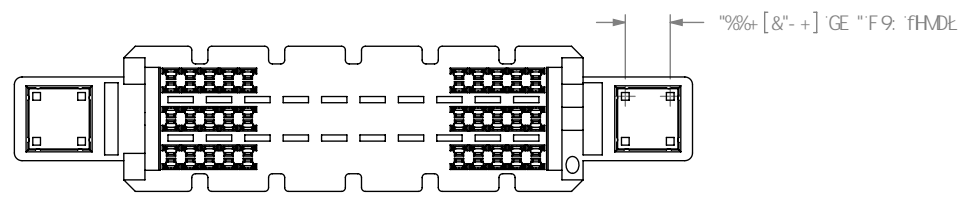
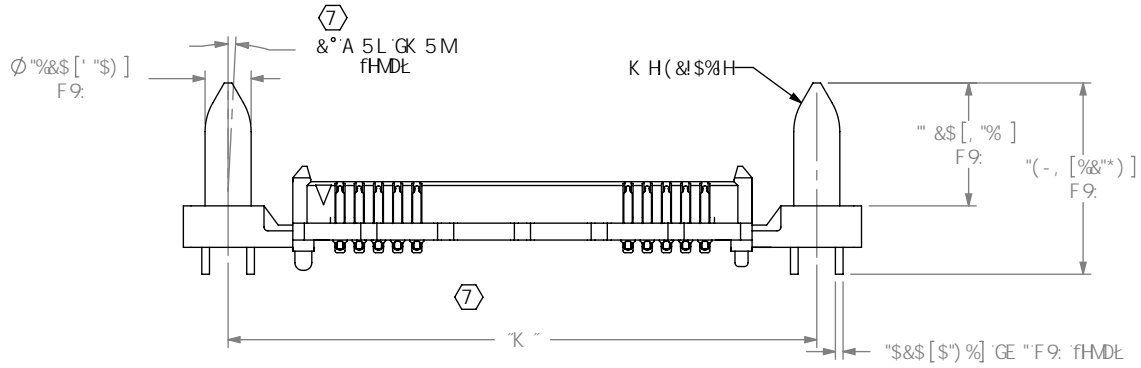
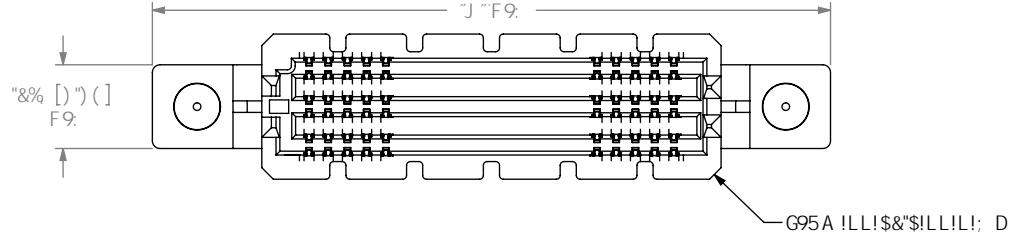


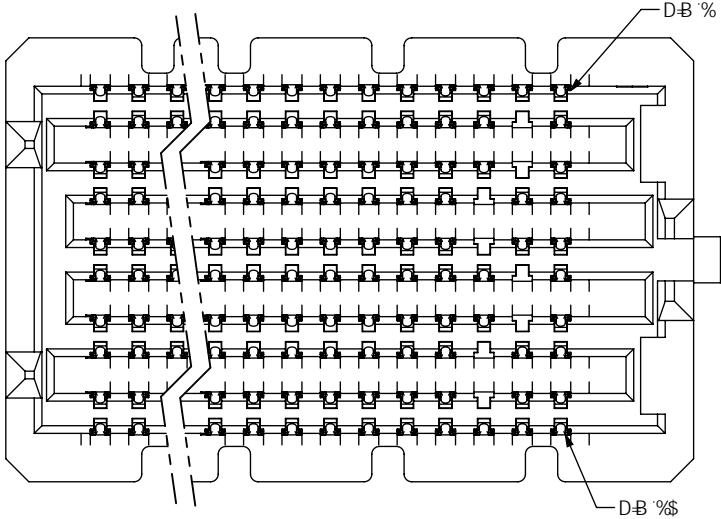
TABLE 14

POSITIONS	"V"	"W"
-20	1.766[44.86]	1.533[38.94]
-30	2.266[57.56]	2.033[51.64]
-40	2.766[70.26]	2.533[64.34]
-50	3.266[82.96]	3.033[77.04]

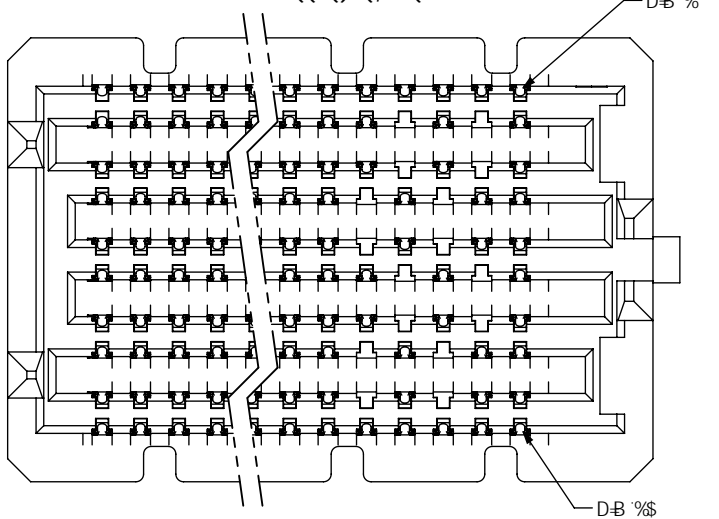
DFC DF 9H5 FMBC H9  
 H: 68C 71 A 98H7 C B H 5 B G B: C F A 5HC B  
 7 C B: 898 H 5 5 B 8 DFC DF 9H5 FMBC  
 GSA H 7 2 8 7 \* 5 B 8 G: 5 8 8 B C H 6 9 F 9 D F C 81 7 9 8  
 C F H F 5 B G 9 F 9 8 H C C H: 9 F 8 C 7 1 A 9 8 H C F  
 8 4 7 @ 9 8 H C C H: 9 F G C F I 9 8: C F 5 B M  
 DI FDC 9 C H: 9 F H: 5 B H: 5 H K < 7 < # H 5 G  
 C 6 H 5 B 9 8 K # k C I H H: 9 9 L D F 9 0 9 8 K F # H 8  
 7 C B G 9 8 H C: G S A H 7 2 8 7 \*  
 8 C B C H G 7 5 @ 9 8 F 5 K B:  
 G: 9 9 H G 7 5 @ 9 & %

)&\$ D5F? 95GH6@ 8ZB9K 5@5BMZ B (+) %  
 D<C B 9 ; %&L - (( ! \* + ' : ; < > ? @ [ \ ] ^ \_ ` { | } ~ ) &' \* ( ) \$ ( +  
 Y I A U J . ) & \$ % ^ &' \* ( ) \$ ( +  
 89G7 F 8HC B.  
 "\$) \$' D#7 < 'HFA #5 @5FF5M5GG9A 6@M  
 8K : "BC"  
**G95A ILL!LL "L!LL!LL!LL!**  
 6M 6F5H7 <9F \$\* #&\$#&\$\$( G<99H) "C: +

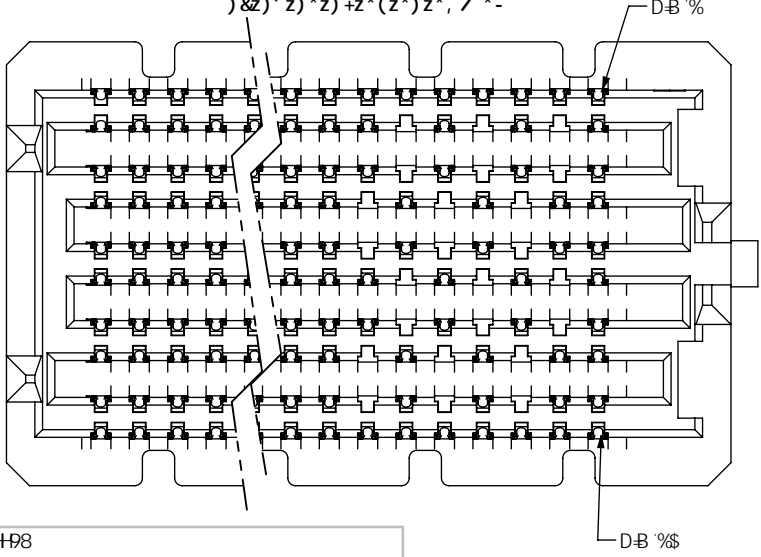
: ÷ " " %  
 !%\$. %\$ FCK  
 fG95A !' \$!\$&' \$!LL!%\$!&!\$( 'G<CK BŁ  
 DBGCA #H98 %&Z% Z%Z%Z%Z&(Z&) Z&, /' &-



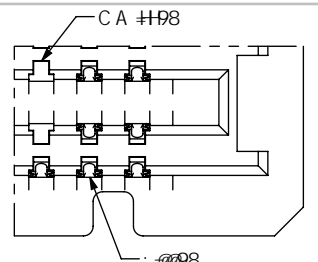
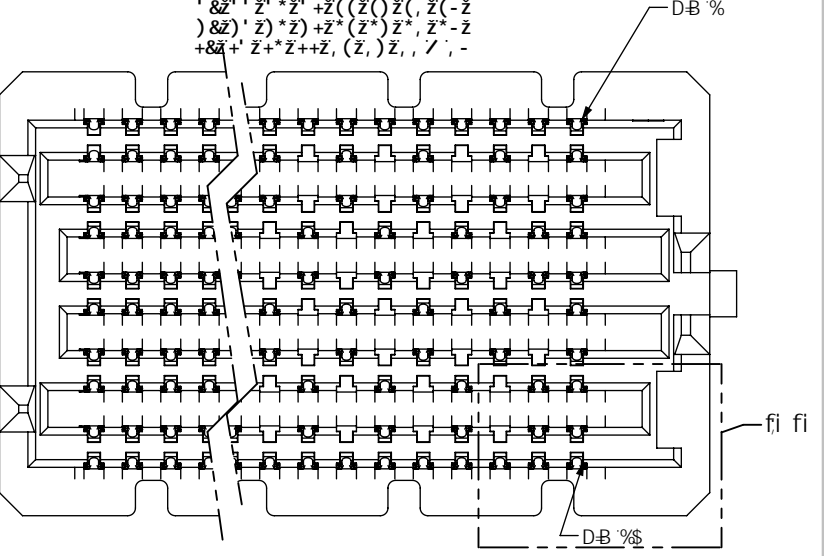
: ÷ " " %  
 !%\$. %\$ FCK  
 fG95A !' \$!\$&' \$!LL!%\$!&!\$( 'G<CK BŁ  
 DBGCA #H98 %&Z% Z%Z%Z%Z&(Z&) Z&, /' &-



: ÷ " " %  
 !%\$. %\$ FCK  
 fG95A !' \$!\$&' \$!LL!%\$!&!\$( 'G<CK BŁ  
 DBGCA #H98 %&Z% Z%Z%Z%Z&(Z&) Z&, /' &-



: ÷ " " %  
 !%\$. %\$ FCK  
 fG95A !' \$!\$&' \$!LL!%\$!&!\$( 'G<CK BŁ  
 DBGCA #H98 %&Z% Z%Z%Z%Z&(Z&) Z&, /' &-



89H @fi fi  
 G75 @9) . %

DFC DF 9H5 FMBC H9  
 H: GBC 71A 98H7 C B16 BG B: CFA 5HC B  
 7CB: 89H5 95B8 DFC DF 945 F1MC  
 GSA H97 2 87 \*5B8 G: 500BC H69 F90FC 81 798  
 CF HF5BG 9FF98 HC CH: 9F 8C 71A 98H6 CF  
 8 47 @C 998 HC CH: 9FGCF I 998 : CF 5BM  
 DI DFC 09 CH: 9F H: 5B H: 5HK < 7 < #K 5G  
 C 616 B 98 K #C I H: 9 9L DF 90998 K F #H8  
 7 C B 98HC : GSA H97 2 87 \*

8C 'BCH G7 5 @9 8F5K B:  
 G: 99HG7 5 @9 ( . %



)&\$ D5F? 95GH6@ 8ZB9K 5 @5BM B (+) \$  
 D<C B 9 ; %&L - ((! \* + ..... SL ; %&L - ( ) \$ (+  
 YIA UJ ; jz 4 GSA H97 Wca ..... WEXY.) ' &&

89G7 F @HC B:  
 "\$) \$ D#7 < 'H9FA B5 @5FF5M5 G99A 6@M  
 8K : " " BC "  
**G95A !LL!LL "L!LL!LL!LL!LL**  
 6M 6F5H7 < 9F \$\* # \$ & # \$ \$ ( G< 99H " " C : +

