

CodeWarrior™ MPC8555E QUICCstart Evaluation System

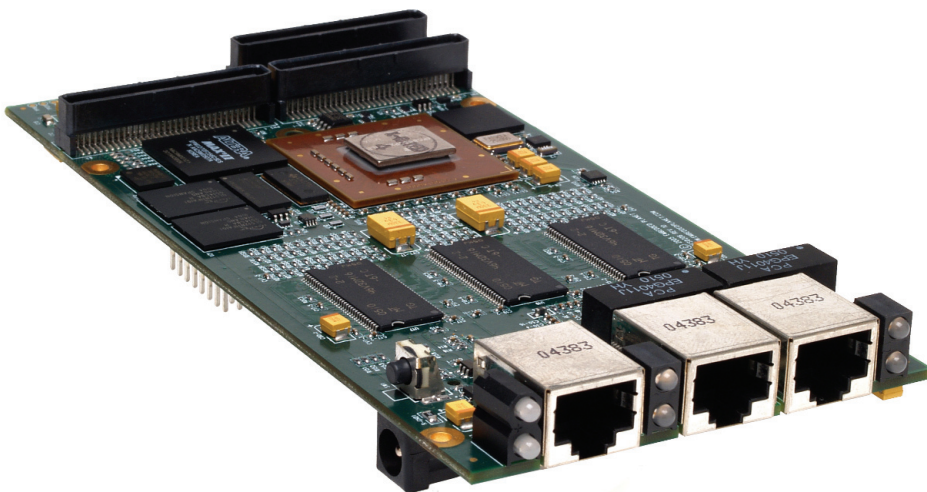
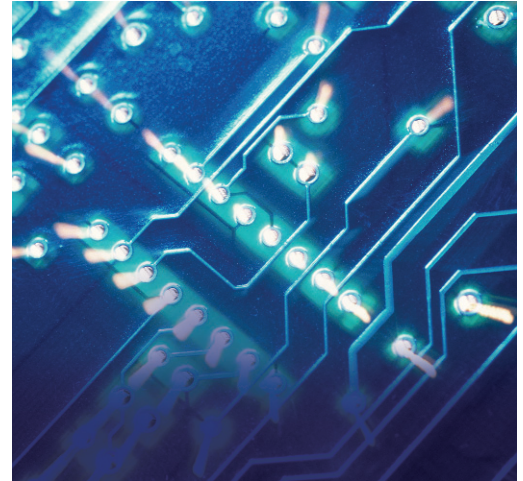
Overview

The Freescale QUICCstart MPC8555 Evaluation System is a powerful, low-cost platform that allows a developer to rapidly design and execute a project with the Freescale MPC8555E PowerQUICC III processor, reducing time-to-market and increasing reliability. This evaluation system exercises the major features of the MPC8555E / MPC8541E through a configurable, full featured PrPMC board which can operate in standalone mode or be deployed as a PrPMC board on a CompactPCI carrier board.

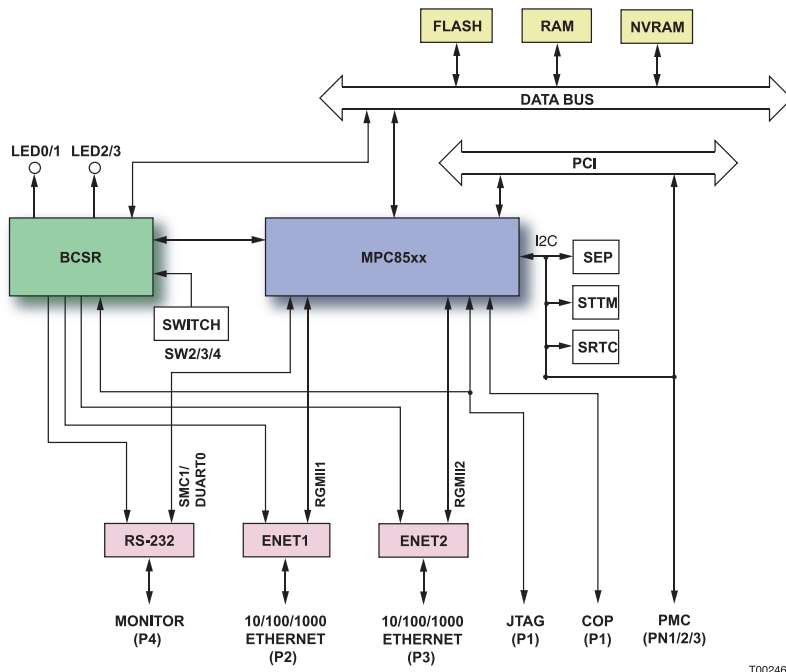
The QUICCstart MPC8555 Evaluation System comes complete with the PrPMC board, power supply, CodeWarrior USB TAP run control device, cables, and evaluation copies of CodeWarrior™ tools for bare board bring-up and debug as well as Linux kernel and application debug. A Linux board support package is also supplied on CD and flashed

to the board. This evaluation system has been packaged so that you can be productive within 30 minutes of unpacking the kit.

Freescale's MPC8555E PowerQUICC III Family is targeted at the networking, communications, printing/imaging and general-purpose embedded markets. These offerings provide a high level of performance and integration including an integrated e500 PowerPC core running at 833MHz, 256 KB L2 cache, a separate RISC based Communications Processor Module (CPM) supporting a wide range of peripherals, a DDR SDRAM memory controller, two Gigabit Ethernet controllers, a four channel DMA controller, a 64-bit PCI controller that can serve as two 32-bit PCI ports, and an integrated security engine supporting DES, 3DES, MD-5, SHA-1, AES and ARC-4, as well as offering a public key accelerator and on-chip random number generator.



CodeWarrior MPC8555E QUICCstart Evaluation System



T00246A

Benefits:

CodeWarrior Tools Integration: a trial copy of Freescale's own CodeWarrior development tools provides a single development environment that includes CodeWarrior compilers, high-performance hardware debug capability via the included USB TAP with support for conditional breakpoints, data watchpoints and expression evaluation, a comprehensive Project Manager and Build System with an easy-to-use GUI and graphical flash memory programming capability.

Free Schematics: a PDF of this board's schematics are available. These schematics can give an engineer a solid starting point when considering the use of this processor in their own boards.

Experienced Support: as a supplier of evaluation systems, reference designs and hardware-assisted debugging tools for an array of microprocessors, Freescale has the experience necessary to provide knowledgeable, responsive application and technical support for development projects.

Linux Board Support Package: Freescale provides the source code for a board support package available for use with our Linux Platform Edition product. Developers can fully utilize and modify the source code for current and future projects.

Accelerated Early Development: firmware, hardware and production test engineers can each take advantage of Freescale evaluation systems and reference designs. Firmware and hardware engineers can adapt Freescale evaluation systems to their own, enabling them to reduce development time. Production test engineers can use the board and included CodeWarrior Tools and USB TAP to design and prototype complex and efficient production algorithms before the custom hardware is prototyped.

Ordering Info:

Part # CWH-PPC-8555N-VX

Features:

- > Freescale Power QUICC III PowerPC MPC8555E processor at 833MHz
- > Evaluation copies of CodeWarrior Development Studio Communications Processors Edition and Linux Platform Edition for PowerPC
- > Free PDF schematic
- > Experienced Freescale support
- > Linux board support package
- > Can operate as PrPMC or stand alone module
- > PrPMC monarch or non-monarch
- > DDR SDRAM 64MB
- > Flash 16MB
- > Two 10/100/1000 BaseT Ethernet
- > RS-232 serial monitor port
- > Debug COP/JTAG
- > Serial EEPROM I2C
- > Serial temperature I2C
- > Serial RTC I2C
- > Dipswitch 4-position slide switch
- > BCSR Control and Status Registers
- > 5.0 VDC single power supply source
- > Operating Range: 0° C to 70° C

Learn More: For more information about Freescale products, please visit www.freescale.com/codewarrior

FREESCALE and the FREESCALE logo are trademarks of Freescale Semiconductor, Inc. All other product or service names are the property of their respective owners.

© Freescale Semiconductor, Inc. 2006.

ALL RIGHTS RESERVED.

950-00141

REV A

