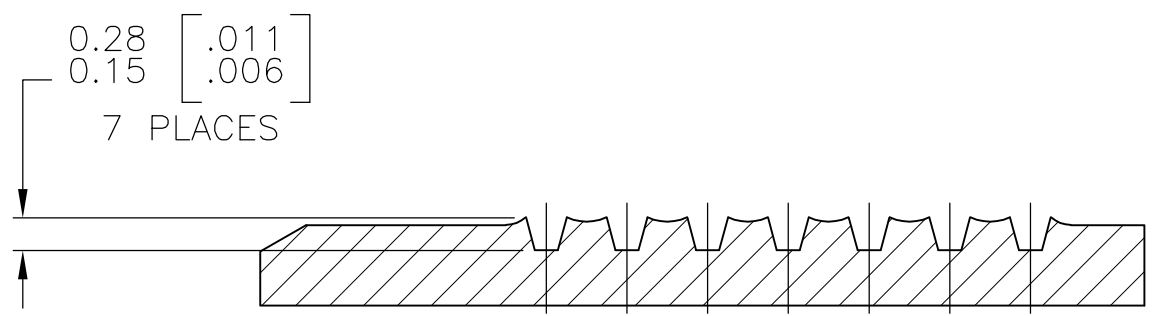
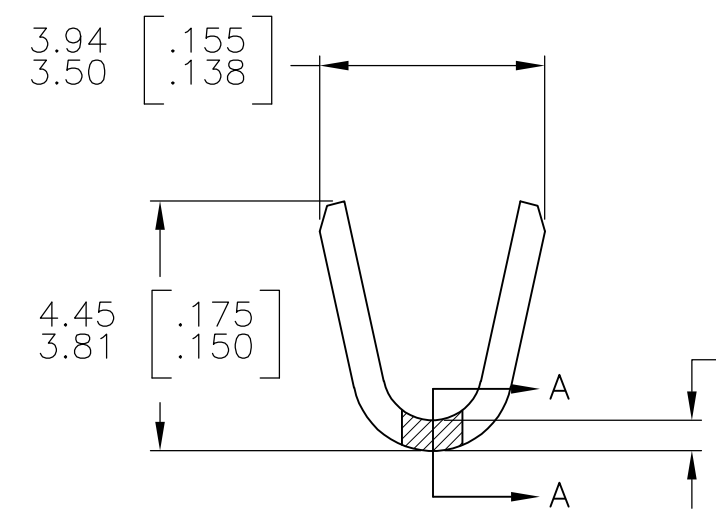
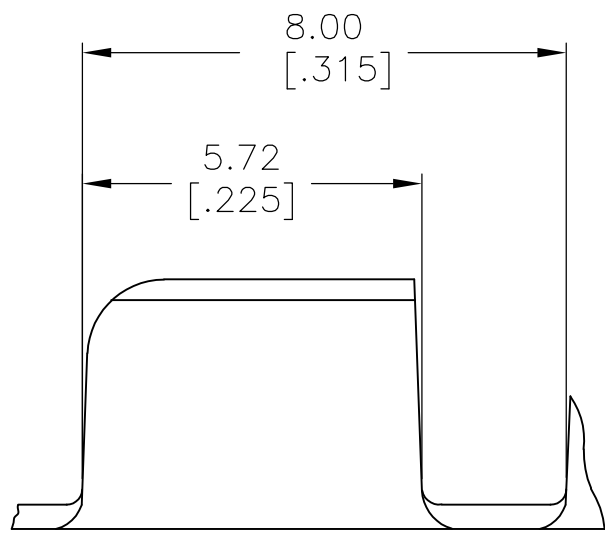
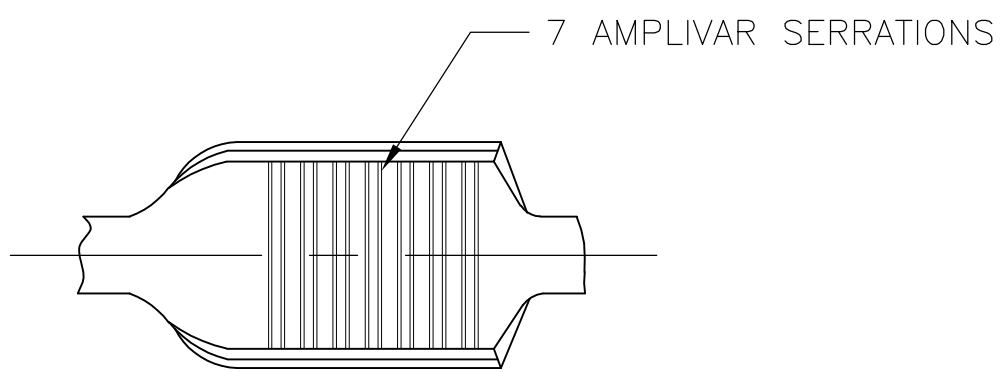


THIS DRAWING IS UNPUBLISHED. RELEASED FOR PUBLICATION
 © COPYRIGHT BY TYCO ELECTRONICS CORPORATION. ALL RIGHTS RESERVED.

LOC	DIST	REVISIONS			
P	LTR	DESCRIPTION	DATE	DWN	APVD
AF	50				
	K2	REVISED PER ECR-07-018788	20AUG07	HMR	GP
	K3	REVISED PER ECO-09-021826	05JAN10	KK	AEG

- 1 CONTINUOUS STRIP ON REELS
- 2 DIMENSIONS IN BRACKETS ARE IN INCHES
- 3 FOR ADDITIONAL INFORMATION, SEE APPLICATION SPEC. 114-2002
- △4 FOREIGN PRODUCTION PART NUMBER
- 6 WIRE RANGE: 1500 - 5000 CMA
- △7 CRIMP WIDTH: .110 F TYPE (AMPLIVAR PIGTAIL)
 CRIMP HEIGHT (±.002)=(TOTAL CMA+10,700)/193,400
 GENERAL APPLICATION GUIDELINES MUST BE FOLLOWED AS SPECIFIED IN CATALOG #82221
 FOR APPLICATOR INFORMATION CALL:1-800-722-1111
 FOR PRODUCT INFORMATION CALL:1-800-522-6752
- △8 OBSOLETE PARTS: OBSOLETE CIS STREAMLINING PER D.RENAUD/D.SINISI



SECTION A-A
SCALE 20:1

△8	OBSOLETE	SPECIAL	TIN PLATE	62040-6
△4	OBSOLETE	-	-	62040-5
△4	OBSOLETE	-	-	62040-4
	OBSOLETE	REVERSE	TIN PLATE	62040-3
		STANDARD	-	62040-2
		STANDARD	TIN PLATE	62040-1
		REELING	FINISH	PART NO

THIS DRAWING IS A CONTROLLED DOCUMENT.		DWN RAGHAVENDRA 16OCT2006	Tyco Electronics Corporation Harrisburg, PA 17105-3608	
DIMENSIONS: mm [INCHES]		CHK G.D.PORTA	NAME	
TOLERANCES UNLESS OTHERWISE SPECIFIED:		APVD G.D.PORTA	PRODUCT SPEC	
0 PLC ± -		APPLICATION SPEC		
1 PLC ± -		SIZE		
2 PLC ± -		CAGE CODE		
3 PLC ± 0.38 [.015]		DRAWING NO		
4 PLC ± -		RESTRICTED TO		
ANGLES ± 1° 0'		A3 00779 C-62040		
MATERIAL BRASS	FINISH SEE TABLE	WEIGHT -		
CUSTOMER DRAWING		SCALE 8:1	SHEET 1 OF 1	REV K3