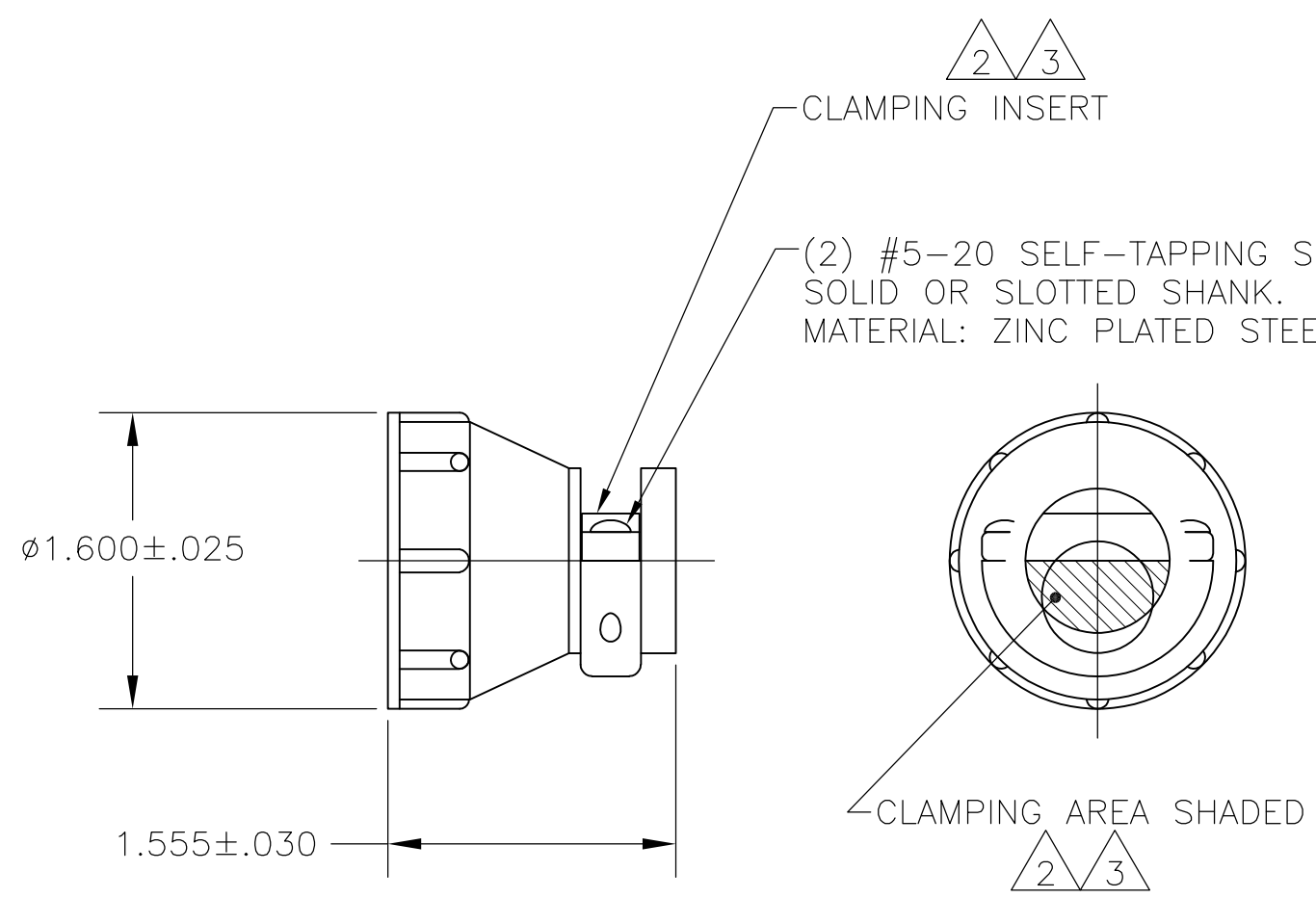


THIS DRAWING IS UNPUBLISHED. RELEASED FOR PUBLICATION
 © COPYRIGHT - By - ALL RIGHTS RESERVED.

REVISIONS				
P	LTR	DESCRIPTION	DATE	APVD
	S5	REVISED PER ECO-16-004800	12SEP2016	NK MZ

- 1 PARTS PACKAGED UNASSEMBLED.
- 2 CABLE CLAMPING AREA ADJUSTABLE FROM .100 TO .410 SQ IN BY REVERSING CLAMPING INSERTS. (2 INSERTS SUPPLIED)
- 3 CABLE CLAMPING AREA ADJUSTABLE FROM .100 TO .410 SQ IN BY CHANGING CLAMPING INSERTS. (4 INSERTS SUPPLIED, -3 ONLY)
- 4 .703 MAXIMUM CABLE OUTSIDE DIAMETER.
- 5 BULK PACKAGED KITS TO BE ORDERED IN MULTIPLES OF 100 ONLY.
- 6 SCREW FINISH ZINC WITH NON-HEXAVALENT CHROMATE.
- 7 OBSOLETE PARTS: OBSOLETE CIS STREAMLINING PER D.RENAUD/D.SINISI



	SCREW LENGTH	PACKAGING	PART NUMBER
2	.75 ^{+0.00} / _{-.05}	INDIVIDUAL	1-206138-2
2	OBSOLETE	INDIVIDUAL	1-206138-1
2	.62 ^{+0.00} / _{-.05}	5 BULK	1-206138-0
2	OBSOLETE	SMALL PACK	-206138-9
2	.62 ^{+0.00} / _{-.05}	INDIVIDUAL	206138-8
2	SUPERSEDED BY 1-206138-1	INDIVIDUAL	-206138-7
7	OBSOLETE	SMALL PACK	-206138-6
7	OBSOLETE	5 BULK	-206138-3
2	SUPERSEDED BY 1-206138-0	5 BULK	-206138-2
2	SUPERSEDED BY 206138-8	INDIVIDUAL	-206138-1

THIS DRAWING IS A CONTROLLED DOCUMENT.		DWN A GRAFF 4/23/91	TE Connectivity		
DIMENSIONS: INCHES		CHK W.G.LENKER 7-22-92			
TOLERANCES UNLESS OTHERWISE SPECIFIED:		APVD -	NAME CABLE CLAMP KIT, STANDARD, SHELL SIZE 23, CPC		
0 PLC ± -		PRODUCT SPEC 108-10024	SIZE A3		
1 PLC ± -		APPLICATION SPEC -	CAGE CODE 00779	DRAWING NO C-206138	RESTRICTED TO -
2 PLC ± -		WEIGHT -	SCALE NTS		
3 PLC ± -		MATERIAL THERMOPLASTIC	SHEET 1 OF 1		
4 PLC ± -			REV S5		
ANGLES ± -		CUSTOMER DRAWING			