

Features

- Zero Input Output Propagation Delay, adjustable by Capacitive Load on FBK input
- Multiple configurations (see Table 3 on page 3)
- Multiple Low-skew Outputs
 - 45 ps Typical Output-output skew (-1)
 - Two banks of four Outputs, three-stateable by two select Inputs
- 10 MHz to 140 MHz Operating Range
- 65 ps Typical Cycle-to-cycle Jitter (-1, -1H)
- Advanced 0.65 μm CMOS Technology
- Space saving 16-pin, SOIC and TSSOP Packages
- 3.3V Operation
- Spread Aware

Functional Description

The CY23S08 is a 3.3V zero delay buffer designed to distribute high speed clocks in PC, workstation, datacom, telecom, and other high performance applications.

The part has an on-chip PLL which locks to an input clock presented on the REF pin. The PLL feedback must be driven into the FBK pin, and obtained from one of the outputs. The input-to-output propagation delay is less than 350 ps, and output-to-output skew is less than 250 ps.

The CY23S08 has two banks of four outputs each, which can be controlled by the Select inputs as shown in Table 2 on page 3. If all output clocks are not required, Bank B can be three-stated. The select inputs also enable the input clock to be directly applied to the output for chip and system testing purposes.

The CY23S08 PLL enters a power down state when there are no rising edges on the REF input. In this mode, all outputs are three-stated and the PLL is turned off, resulting in less than 50 μA of current draw. The PLL shuts down in two additional cases as shown in Table 2 on page 3.

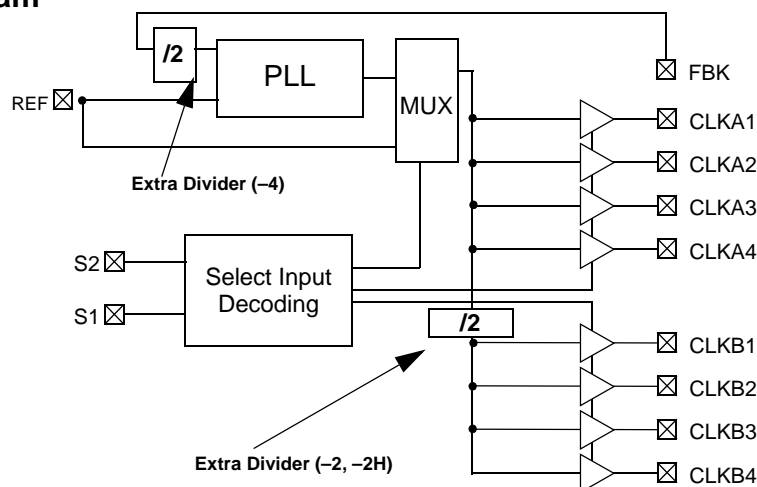
Multiple CY23S08 devices accept the same input clock and distribute it in a system. In this case, the skew between the outputs of two devices is less than 700 ps.

The CY23S08 is available in five different configurations, as shown in Table 3 on page 3. The CY23S08-1 is the base part, where the output frequencies equal the reference if there is no counter in the feedback path. The CY23S08-1H is the high drive version of the -1, and rise and fall times on this device are much faster.

The CY23S08-2 enables you to obtain 2X and 1X frequencies on each output bank. The exact configuration and output frequencies depends on which output drives the feedback pin. The CY23S08-2H is the high drive version of the -2, and rise and fall times on this device are much faster.

The CY23S08-4 enables you to obtain 2X clocks on all outputs. Thus, the part is versatile, and can be used in a variety of applications.

Logic Block Diagram



Pinouts

Figure 1. Pin Configuration – 16-Pin Package

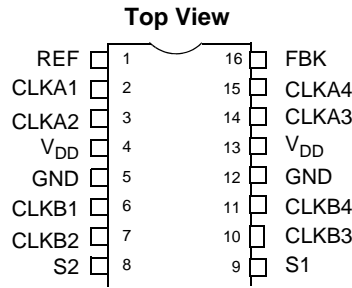


Table 1. Pin Definition

Pin	Signal	Description
1	REF ^[1]	Input reference frequency, 5V tolerant input
2	CLKA1 ^[2]	Clock output, Bank A
3	CLKA2 ^[2]	Clock output, Bank A
4	V _{DD}	3.3V supply
5	GND	Ground
6	CLKB1 ^[2]	Clock output, Bank B
7	CLKB2 ^[2]	Clock output, Bank B
8	S2 ^[3]	Select input, bit 2
9	S1 ^[3]	Select input, bit 1
10	CLKB3 ^[2]	Clock output, Bank B
11	CLKB4 ^[2]	Clock output, Bank B
12	GND	Ground
13	V _{DD}	3.3V supply
14	CLKA3 ^[2]	Clock output, Bank A
15	CLKA4 ^[2]	Clock output, Bank A
16	FBK	PLL feedback input

Notes

1. Weak pull down.
2. Weak pull down on all outputs.
3. Weak pull ups on these inputs.

Table 2. Select Input Decoding

S2	S1	CLOCK A1–A4	CLOCK B1–B4	Output Source	PLL Shutdown
0	0	Three-State	Three-State	PLL	Y
0	1	Driven	Three-State	PLL	N
1	0	Driven	Driven	Reference	Y
1	1	Driven	Driven	PLL	N

Table 3. Available CY23S08 Configurations

Device	Feedback From	Bank A Frequency	Bank B Frequency
CY23S08–1	Bank A or Bank B	Reference	Reference
CY23S08–1H	Bank A or Bank B	Reference	Reference
CY23S08–2	Bank A	Reference	Reference/2
CY23S08–2H	Bank A	Reference	Reference/2
CY23S08–2	Bank B	2 X Reference	Reference
CY23S08–2H	Bank B	2 X Reference	Reference
CY23S08–4	Bank A or Bank B	2 X Reference	2 X Reference

Spread Aware

Many systems designed now use the Spread Spectrum Frequency Timing Generation (SSFTG) technology. Cypress is one of the pioneers of SSFTG development, and designed this product so as not to filter off the Spread Spectrum feature of the Reference input, assuming it exists. When a zero delay buffer does not pass through the SS feature, the result is a significant amount of tracking skew which may cause problems in systems requiring synchronization.

For more details on Spread Spectrum timing technology, please see Cypress's application note [EMI Suppression Techniques with Spread Spectrum Frequency Timing Generator \(SSFTG\) ICs](#).

Note

- Output phase is indeterminant (0° or 180° from input clock). If phase integrity is required, use the CY23S08–2.

Maximum Ratings

Supply Voltage to Ground Potential.....	-0.5V to +7.0V	Max Soldering Temperature (10 sec.)	260°C
DC Input Voltage (Except Ref)	-0.5V to $V_{DD} + 0.5V$	Junction Temperature	150°C
DC Input Voltage REF	-0.5 to 7V	Static Discharge Voltage	
Storage Temperature	-65°C to +150°C	(per MIL-STD-883, Method 3015)	>2000V

Operating Conditions

Parameter ^[5]	Description	Min	Max	Unit
V_{DD}	Supply Voltage	3.0	3.6	V
T_A	Ambient Operating Temperature, Commercial	0	70	°C
	Ambient Operating Temperature, Industrial	-40	85	°C
C_L	Load Capacitance, below 100 MHz	—	30	pF
	Load Capacitance, from 100 MHz to 140 MHz	—	15	pF
C_{IN}	Input Capacitance ^[6]	—	7	pF

Electrical Characteristics for CY23S08SXC-xx Commercial Temperature Devices

Parameter	Description	Test Conditions	Min	Max	Unit
V_{IL}	Input LOW Voltage		—	0.8	V
V_{IH}	Input HIGH Voltage		2.0	—	V
I_{IL}	Input LOW Current	$V_{IN} = 0V$	—	50.0	μA
I_{IH}	Input HIGH Current	$V_{IN} = V_{DD}$	—	100.0	μA
V_{OL}	Output LOW Voltage ^[7]	$I_{OL} = 8\text{ mA } (-1, -2, -4)$ $I_{OL} = 12\text{ mA } (-1H, -2H)$	—	0.4	V
V_{OH}	Output HIGH Voltage ^[7]	$I_{OH} = -8\text{ mA } (-1, -2, -4)$ $I_{OH} = -12\text{ mA } (-1H, -2H)$	2.4	—	V
I_{DD} (PD mode)	Power down Supply Current	REF = 0 MHz	—	12.0	μA
I_{DD}	Supply Current	Unloaded outputs, 100 MHz REF, Select inputs at V_{DD} or GND	—	45.0	mA
			—	70.0 (-1H, -2H)	mA
		Unloaded outputs, 66 MHz REF (-1,-2,-4)	—	32.0	mA
		Unloaded outputs, 33 MHz REF (-1,-2,-4)	—	18.0	mA

Switching Characteristics for CY23S08SXC-xx Commercial Temperature Devices

Parameter ^[8]	Name	Test Conditions	Min	Typ	Max	Unit
t_1	Output Frequency	30 pF load, -1, -1H, -2 devices	10	—	100	MHz
t_1	Output Frequency	30 pF load, -4 devices	15	—	100	MHz
t_1	Output Frequency	20 pF load, -1H device	10	—	133.3	MHz
t_1	Output Frequency	15 pF load, -1, -2 devices	10	—	140.0	MHz
t_1	Output Frequency	15 pF load, -4 devices	15	—	140.0	MHz
	Duty Cycle ^[7] = $t_2 \div t_1$ (-1,-2,-4,-1H, -2H)	Measured at $V_{DD}/2$, $F_{OUT} = 66.66\text{ MHz}$ 30-pF load	40.0	50.0	60.0	%
	Duty Cycle ^[7] = $t_2 \div t_1$ (-1,-2,-4,-1H, -2H)	Measured at $V_{DD}/2$, $F_{OUT} < 66.66\text{ MHz}$ 15 pF load	45.0	50.0	55.0	%

Notes

- Multiple Supplies: The voltage on any input or IO pin cannot exceed the power pin during power up. Power supply sequencing is NOT required.
- Applies to both Ref Clock and FBK.
- Parameter is guaranteed by design and characterization. Not 100% tested in production.
- All parameters are specified with loaded outputs.

Switching Characteristics for CY23S08SXC-xx Commercial Temperature Devices (continued)

Parameter ^[8]	Name	Test Conditions	Min	Typ	Max	Unit
t ₃	Rise Time ^[7] (-1, -2, -4)	Measured between 0.8V and 2.0V, 30 pF load	—	—	2.20	ns
t ₃	Rise Time ^[7] (-1, -2, -4)	Measured between 0.8V and 2.0V, 15 pF load	—	—	1.50	ns
t ₃	Rise Time ^[7] (-1H, -2H)	Measured between 0.8V and 2.0V, 30 pF load	—	—	1.50	ns
t ₄	Fall Time ^[7] (-1, -2, -4)	Measured between 0.8V and 2.0V, 30 pF load	—	—	2.20	ns
t ₄	Fall Time ^[7] (-1, -2, -4)	Measured between 0.8V and 2.0V, 15 pF load	—	—	1.50	ns
t ₄	Fall Time ^[7] (-1H, 2H)	Measured between 0.8V and 2.0V, 30 pF load	—	—	1.25	ns
t ₅	Output to Output Skew on same Bank (-1) ^[7]	All outputs equally loaded	—	45	200	ps
	Output to Output Skew on same Bank (-1H,-2,-2H) ^[7]	All outputs equally loaded	—	105	150	ps
	Output to Output Skew on same Bank (-4) ^[7]	All outputs equally loaded	—	70	100	ps
	Output to Output Skew (-1H, -2H)	All outputs equally loaded	—	—	200	ps
	Output Bank A to Output Bank B Skew (-1,-2)	All outputs equally loaded	—	—	300	ps
	Output Bank A to Output Bank B Skew (-4)	All outputs equally loaded	—	—	215	ps
	Output Bank A to Output Bank B Skew (-1H)	All outputs equally loaded	—	—	250	ps
t ₆	Delay, REF Rising Edge to FBK Rising Edge ^[7]	Measured at V _{DD} /2	-250	—	+275	ps
t ₇	Device to Device Skew ^[7]	Measured at V _{DD} /2 on the FBK pins of devices	—	—	700	ps
t ₈	Output Slew Rate ^[7]	Measured between 0.8V and 2.0V on -1H, -2H device using Test Circuit #2	1	—	—	V/ns
t _J	Cycle to Cycle Jitter ^[7] (-1, -1H)	Measured at 66.67 MHz, loaded outputs, 15, 30 pF loads: 133 MHz, 15 pF load	—	65	125	ps
	Cycle to Cycle Jitter ^[7] (-2)	Measured at 66.67 MHz, loaded outputs, 15 pF load	—	85	300	ps
	Cycle to Cycle Jitter ^[7] (-2)	Measured at 66.67 MHz, loaded outputs, 30 pF load	—	—	400	ps
t _J	Cycle to Cycle Jitter ^[7] (-4)	Measured at 66.67 MHz, loaded outputs 15, 30 pF loads	—	—	200	ps
t _{LOCK}	PLL Lock Time ^[7]	Stable power supply, valid clocks presented on REF and FBK pins	—	—	1.0	ms

Switching Waveforms

Figure 2. Duty Cycle Timing

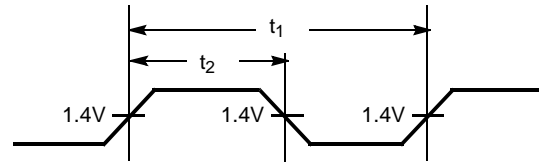


Figure 3. All Outputs Rise and Fall Time

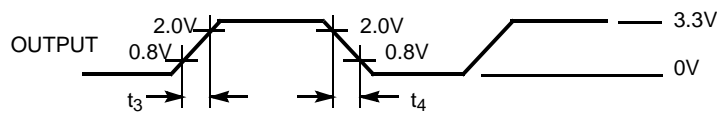


Figure 4. Output-Output Skew

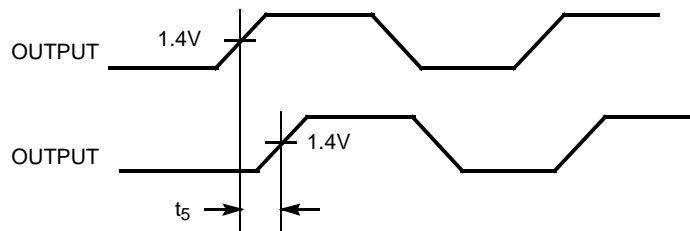


Figure 5. Input-Output Propagation Delay

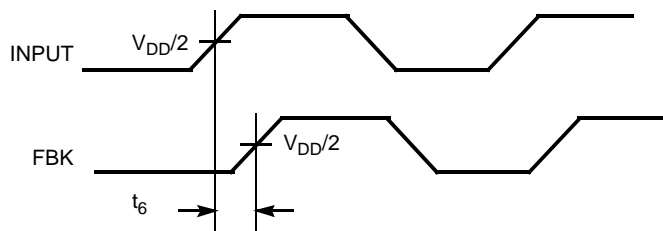
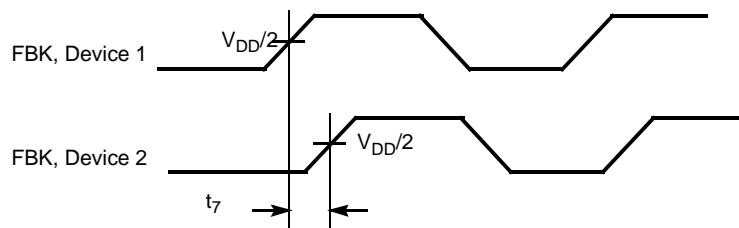
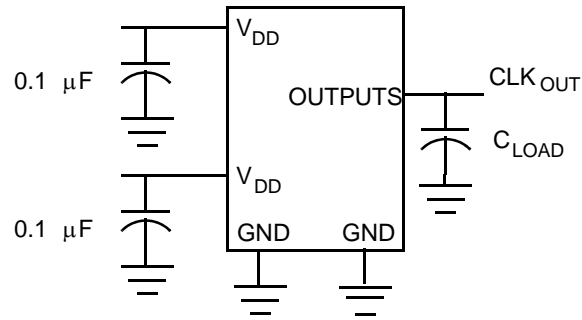


Figure 6. Device-Device Skew



Test Circuits

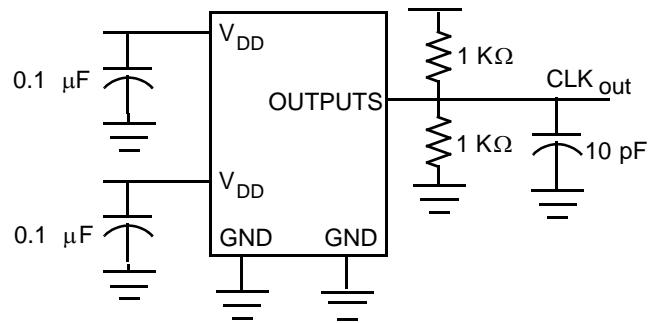
Figure 7. Test Circuit 1



Test Circuit for all parameters except t_8

Figure 8. Test Circuit 2

Test Circuit # 2



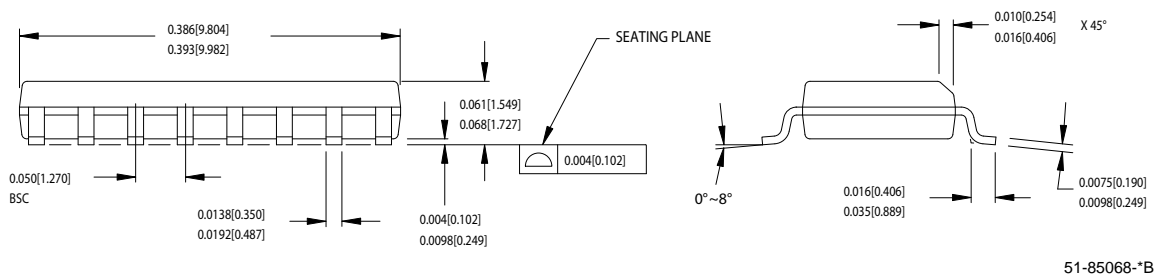
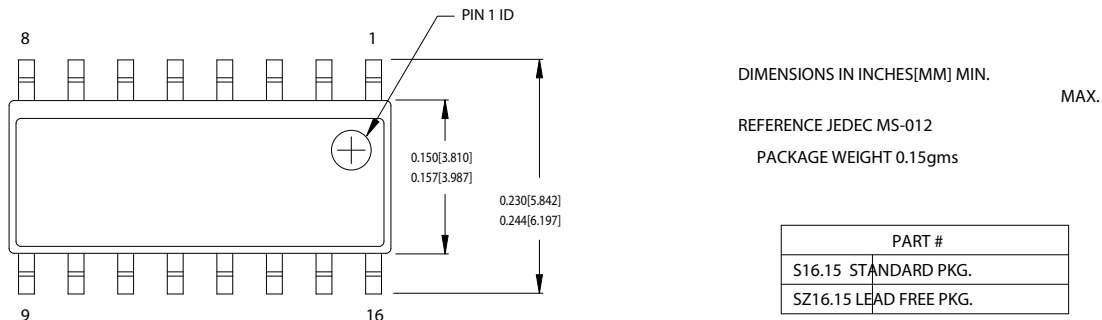
Test Circuit for t_8 , Output slew rate on -1H device

Ordering Information

Ordering Code	Package Type	Operating Range
Pb-free		
CY23S08SXC-1	16-pin 150-mil SOIC	Commercial (0° to 70°C)
CY23S08SXC-1T	16-pin 150-mil SOIC-Tape and Reel	Commercial (0° to 70°C)
CY23S08SXI-1H	16-pin 150-mil SOIC	Industrial (-40° to 85°C)
CY23S08SXI-1HT	16-pin 150-mil SOIC-Tape and Reel	Industrial (-40° to 85°C)
CY23S08ZXC-1H	16-pin 4.4mm TSSOP	Commercial (0° to 70°C)
CY23S08ZXC-1HT	16-pin 4.4mm TSSOP	Commercial (0° to 70°C)
CY23S08SXC-2	16-pin 150-mil SOIC	Commercial (0° to 70°C)
CY23S08SXC-2T	16-pin 150-mil SOIC-Tape and Reel	Commercial (0° to 70°C)
CY23S08SXC-2H	16-pin 150-mil SOIC	Commercial (0° to 70°C)
CY23S08SXC-2HT	16-pin 150-mil SOIC-Tape and Reel	Commercial (0° to 70°C)
CY23S08SXI-2	16-pin 150-mil SOIC	Industrial (-40° to 85°C)
CY23S08SXI-2T	16-pin 150-mil SOIC-Tape and Reel	Industrial (-40° to 85°C)
CY23S08SXC-4	16-pin 150-mil SOIC	Commercial (0° to 70°C)
CY23S08SXC-4T	16-pin 150-mil SOIC-Tape and Reel	Commercial (0° to 70°C)
CY23S08SXI-4	16-pin 150-mil SOIC	Industrial (-40° to 85°C)
CY23S08SXI-4T	16-pin 150-mil SOIC-Tape and Reel	Industrial (-40° to 85°C)

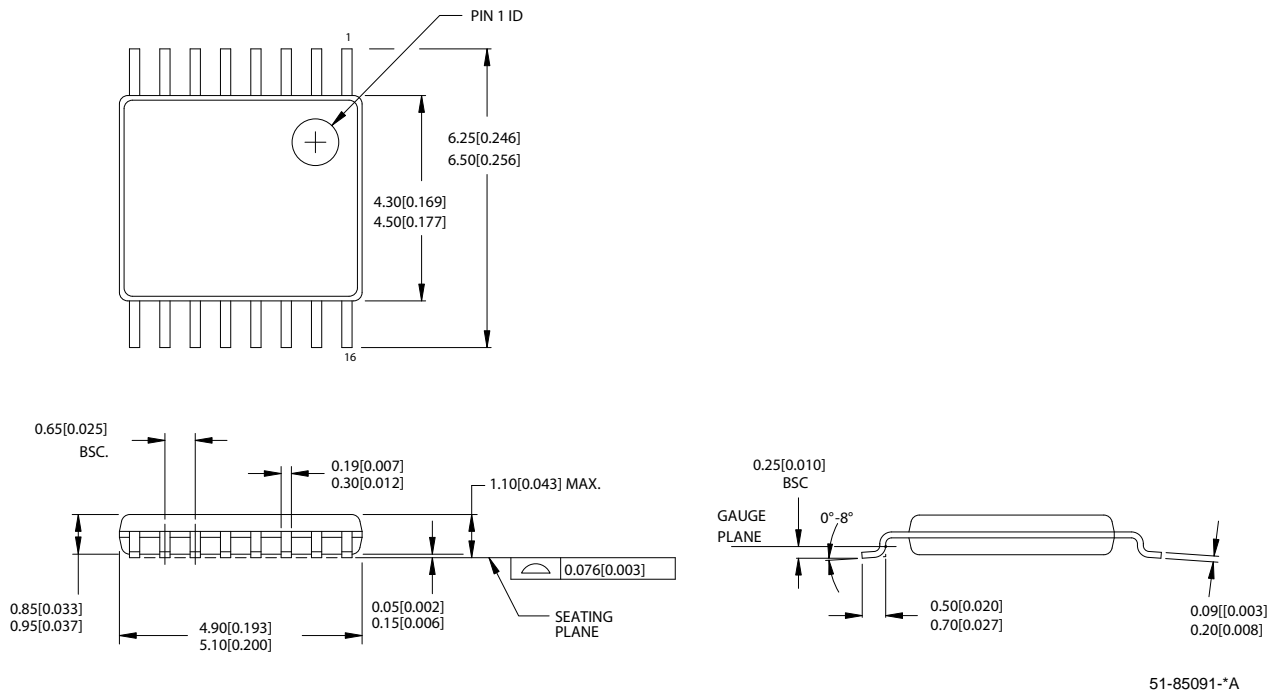
Package Drawings and Dimensions

Figure 9. 16-Pin (150-Mil) SOIC S16



51-85068-B

Figure 10. 16-Pin Thin Shrink Small Outline Package (4.40 mm Body) Z16



51-85091-A

Document History Page

Document Title: CY23S08 3.3V Zero Delay Buffer Document Number: 38-07265				
Revision	ECN	Orig. of Change	Submission Date	Description of Change
**	110530	SZV	12/02/01	Change from Spec number: 38-01107 to 38-07265
*A	122863	RBI	12/20/02	Added power up requirements to operating conditions information.
*B	130951	RGL	11/26/03	Corrected the Switching Characteristics parameters to reflect the W152 device and new characterization.
*C	204201	RGL	See ECN	Corrected the Block Diagram
*D	231100	RGL	See ECN	Fixed Typo in table 2.
*E	378878	RGL	See ECN	Added Industrial Temp and Pb Free Devices Added typical char data Removed "Preliminary"
*F	391564	RGL	See ECN	Changed output-to-output skew typical value from 90ps to 45ps Added cycle-to-cycle jitter (-2) typical value of 85ps
*G	1442823	WWZ/AESA	See ECN	Updated ordering info with status update. Added new Pb-free part numbers.
*H	2600345	WWZ/PYRS	11/03/08	Updated max frequency number from 133 MHz to 140 MHz on page 1 and page 4 load capacitance description
*I	2658081	KVM/PYRS	02/16/09	Corrected TSSOP package size (from 150 mil to 4.4 mm) in Ordering Information Table. Removed references to SOIC in the pinout drawing and pin description table on page 2. Added CY23S08ZXC-1HT to the Ordering Information Table. Updated Ordering Information Table to remove obsolete devices. Removed Status column.
*J	2761988	KVM	09/10/09	Added industrial temperature range to Operating Conditions table. Added numerical values to Operating Range column of Ordering Information table. Removed references to -3 device.

Sales, Solutions, and Legal Information

Worldwide Sales and Design Support

Cypress maintains a worldwide network of offices, solution centers, manufacturer's representatives, and distributors. To find the office closest to you, visit us at cypress.com/sales.

Products

PSoC	psoc.cypress.com
Clocks & Buffers	clocks.cypress.com
Wireless	wireless.cypress.com
Memories	memory.cypress.com
Image Sensors	image.cypress.com

© Cypress Semiconductor Corporation, 2001-2009. The information contained herein is subject to change without notice. Cypress Semiconductor Corporation assumes no responsibility for the use of any circuitry other than circuitry embodied in a Cypress product. Nor does it convey or imply any license under patent or other rights. Cypress products are not warranted nor intended to be used for medical, life support, life saving, critical control or safety applications, unless pursuant to an express written agreement with Cypress. Furthermore, Cypress does not authorize its products for use as critical components in life-support systems where a malfunction or failure may reasonably be expected to result in significant injury to the user. The inclusion of Cypress products in life-support systems application implies that the manufacturer assumes all risk of such use and in doing so indemnifies Cypress against all charges.

Any Source Code (software and/or firmware) is owned by Cypress Semiconductor Corporation (Cypress) and is protected by and subject to worldwide patent protection (United States and foreign), United States copyright laws and international treaty provisions. Cypress hereby grants to licensee a personal, non-exclusive, non-transferable license to copy, use, modify, create derivative works of, and compile the Cypress Source Code and derivative works for the sole purpose of creating custom software and or firmware in support of licensee product to be used only in conjunction with a Cypress integrated circuit as specified in the applicable agreement. Any reproduction, modification, translation, compilation, or representation of this Source Code except as specified above is prohibited without the express written permission of Cypress.

Disclaimer: CYPRESS MAKES NO WARRANTY OF ANY KIND, EXPRESS OR IMPLIED, WITH REGARD TO THIS MATERIAL, INCLUDING, BUT NOT LIMITED TO, THE IMPLIED WARRANTIES OF MERCHANTABILITY AND FITNESS FOR A PARTICULAR PURPOSE. Cypress reserves the right to make changes without further notice to the materials described herein. Cypress does not assume any liability arising out of the application or use of any product or circuit described herein. Cypress does not authorize its products for use as critical components in life-support systems where a malfunction or failure may reasonably be expected to result in significant injury to the user. The inclusion of Cypress' product in a life-support systems application implies that the manufacturer assumes all risk of such use and in doing so indemnifies Cypress against all charges.

Use may be limited by and subject to the applicable Cypress software license agreement.