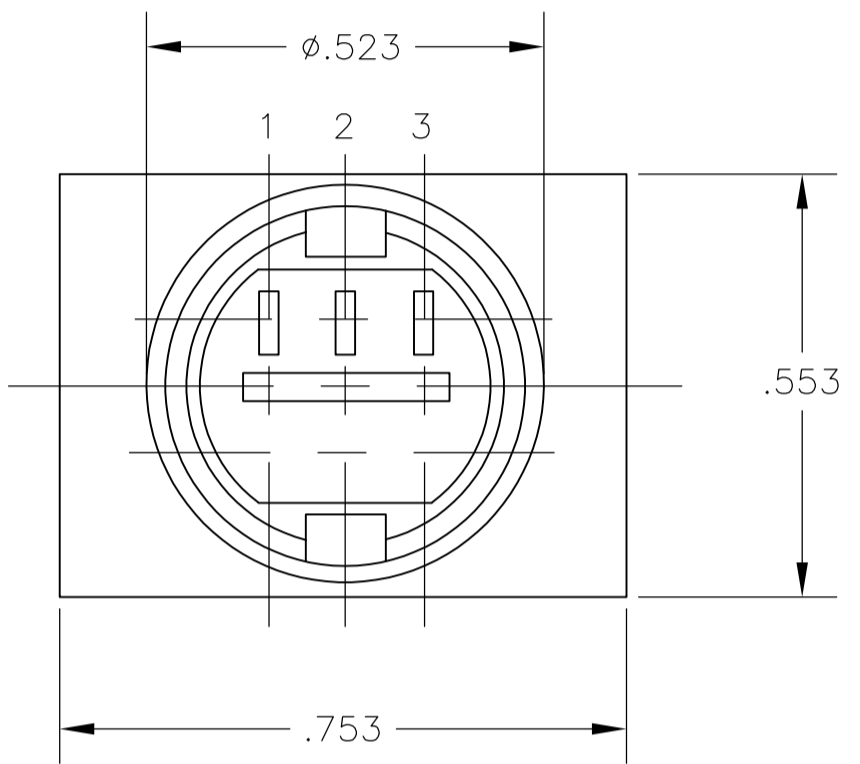
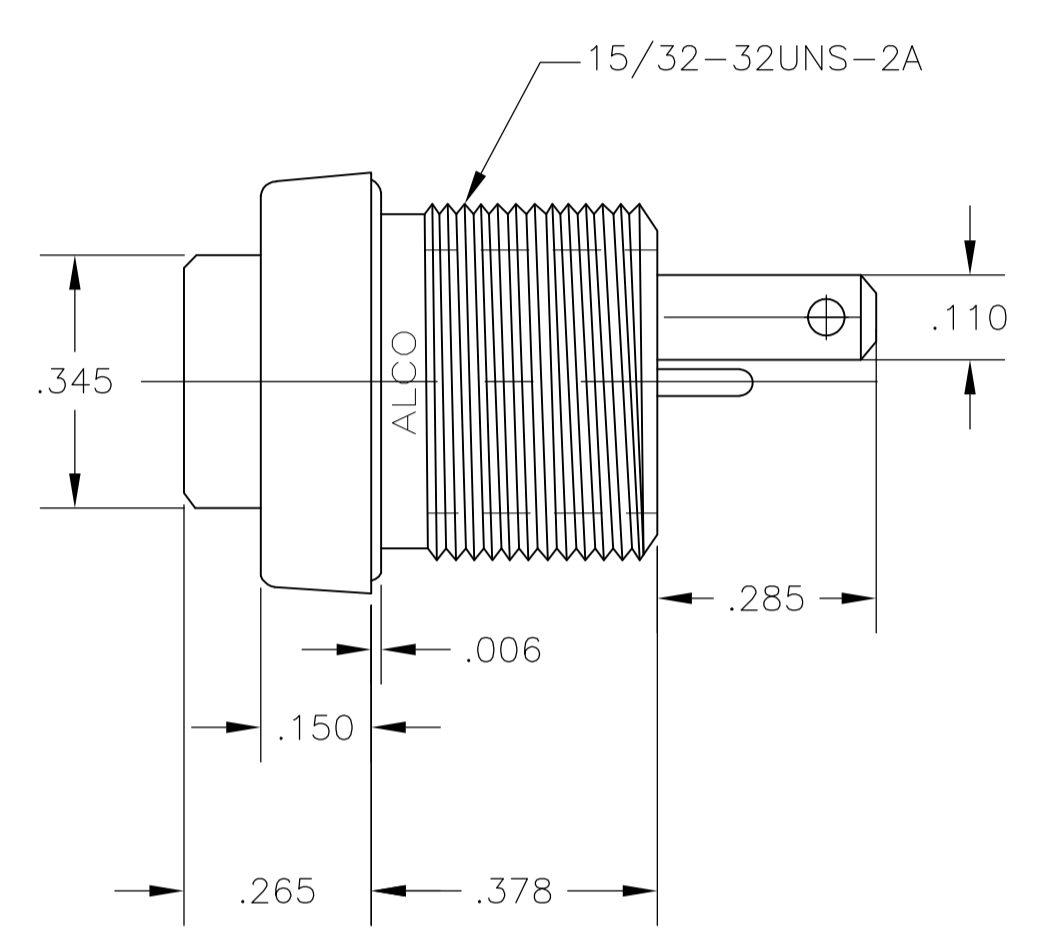
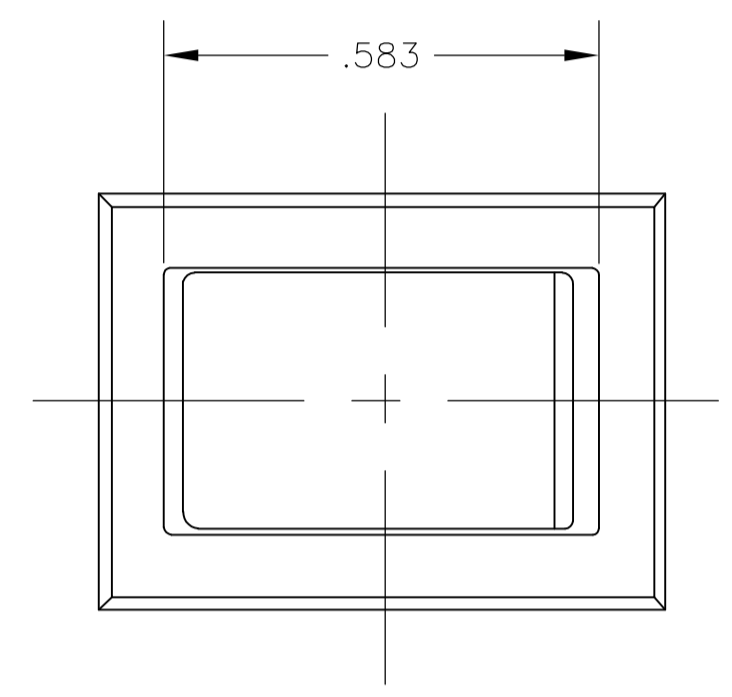
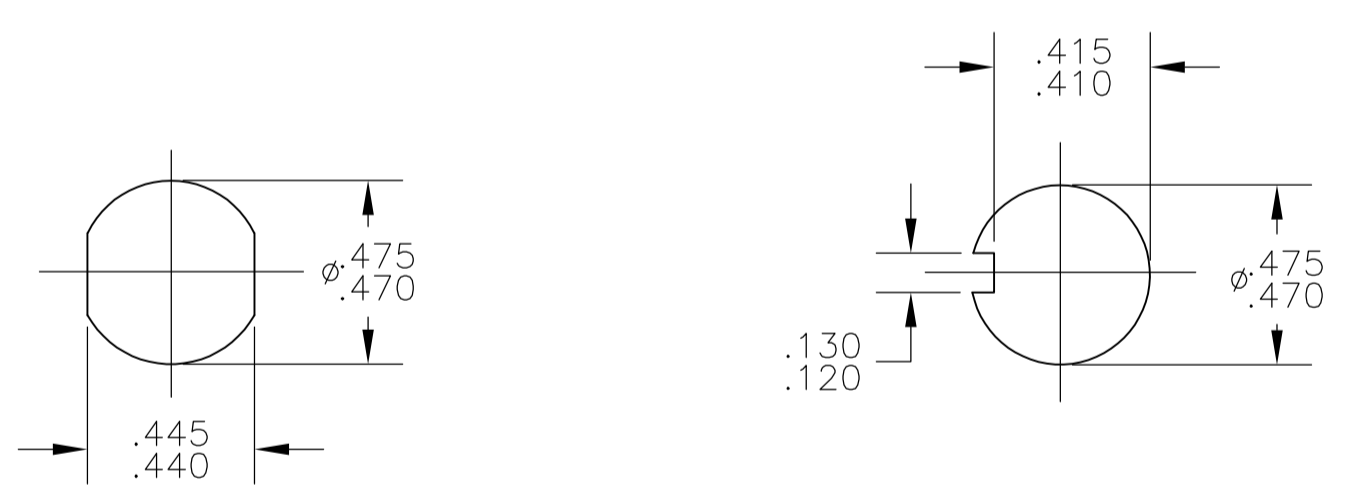


- NOTES:
1. ALL MATERIALS AND FINISHES COMPLY WITH EU DIRECTIVE 2002 /95 /EC OF 27JAN2003 (RoHS).
 2. TERMINAL NUMBERS ARE FOR REFERENCE ONLY AND DO NOT APPEAR ON THE SWITCHES.
 3. MOUNTING HARDWARE: (1) HEX NUT AND (1) INTERNAL TOOTH LOCKWASHER SUPPLIED WITH SWITCH.



MATERIAL CHART		
COMPONENT NAME	BASE MATERIAL	FINISH
CASE	PPO, BLACK, UL94-HB	
SPRING	MUSIC WIRE	
SPRING, F FUNCTION	MUSIC WIRE	
INSULATOR	POLYETHERIMIDE, NATURAL	
TERMINAL, END, D FUNCTION	SILVER CLAD COPPER	SILVER OVER NICKEL
TERMINAL, CENTER, D FUNCTION	BRASS	SILVER OVER NICKEL
TERMINAL, END, HIGH, F FUNCTION	SILVER CLAD COPPER	SILVER OVER NICKEL
TERMINAL, END, LOW, F FUNCTION	BRASS	SILVER OVER NICKEL
TERMINAL, CENTER, F FUNCTION	SILVER CLAD COPPER	SILVER OVER NICKEL
ROCKER CONTACT	SILVER CLAD COPPER	
NUT	BRASS	NICKEL
LOCKWASHER	STAINLESS STEEL	
TERMINAL SEAL	ACRYLIC RESIN	

SPECIFICATION CHART	
RATING	3A @ 125 VAC OR 28 VDC, RESISTIVE
INITIAL CONTACT RESISTANCE	20 MILLIOHMS MAX.
INSULATION RESISTANCE	1,000 MEGAOHMS MIN @ 500 VDC
DIELECTRIC WITHSTANDING VOLTAGE	500 V RMS AT SEA LEVEL
ELECTRICAL LIFE, 2 POSITION	80,000 CYCLES
ELECTRICAL LIFE, 3 POSITION	10,000 CYCLES
MECHANICAL LIFE, 2 POSITION	100,000 CYCLES
MECHANICAL LIFE, 3 POSITION	50,000 CYCLES
OPERATING TEMPERATURE	-20°C TO +80°C
STORAGE TEMPERATURE	-45°C TO +95°C



PANEL CUTOUTS
SCALE 2:1

FUNCTION CHART							
PART NUMBER	ALCO P/N	POLE	THROWS	RATING			
1825422-1	TRD13D10QC04	1	2	3A	ON	NONE	ON
1825422-2	TRD13F10QC04	1	2	3A	(ON)	NONE	ON
TERMINALS CONNECTED					2-1	-	2-3

NONE: NO MECHANICAL POSITION
 OFF: MECHANICAL POSITION WITH NO ELECTRICAL CONNECTION
 (ON): MOMENTARY ACTION

THIS DRAWING IS A CONTROLLED DOCUMENT.		DIN: BSV 16JUN06	Tyco Electronics Corporation Harrisburg, Pa 17105-3608	
DIMENSIONS: INCHES		CHK: M.WILBOURN 14JUN07	NAME: TRD SERIES ROCKER SWITCH, 1 POLE, 3A, QC TERMINALS	
TOLERANCES UNLESS OTHERWISE SPECIFIED:		APVD: M.WILBOURN 14JUN07	PRODUCT SPEC: -	
0 PLC ± -		APPLICATION SPEC: -		
1 PLC ± -		SIZE: A1		
2 PLC ± -		CAGE CODE: 00779		
3 PLC ± -		DRAWING NO: 1825422		
4 PLC ± -		RESTRICTED TO: -		
ANGLES ± -		WEIGHT: -		
MATERIAL: SEE TABLE	FINISH: SEE TABLE	CUSTOMER DRAWING		SCALE: 4:1 SHEET 1 OF 1 REV A