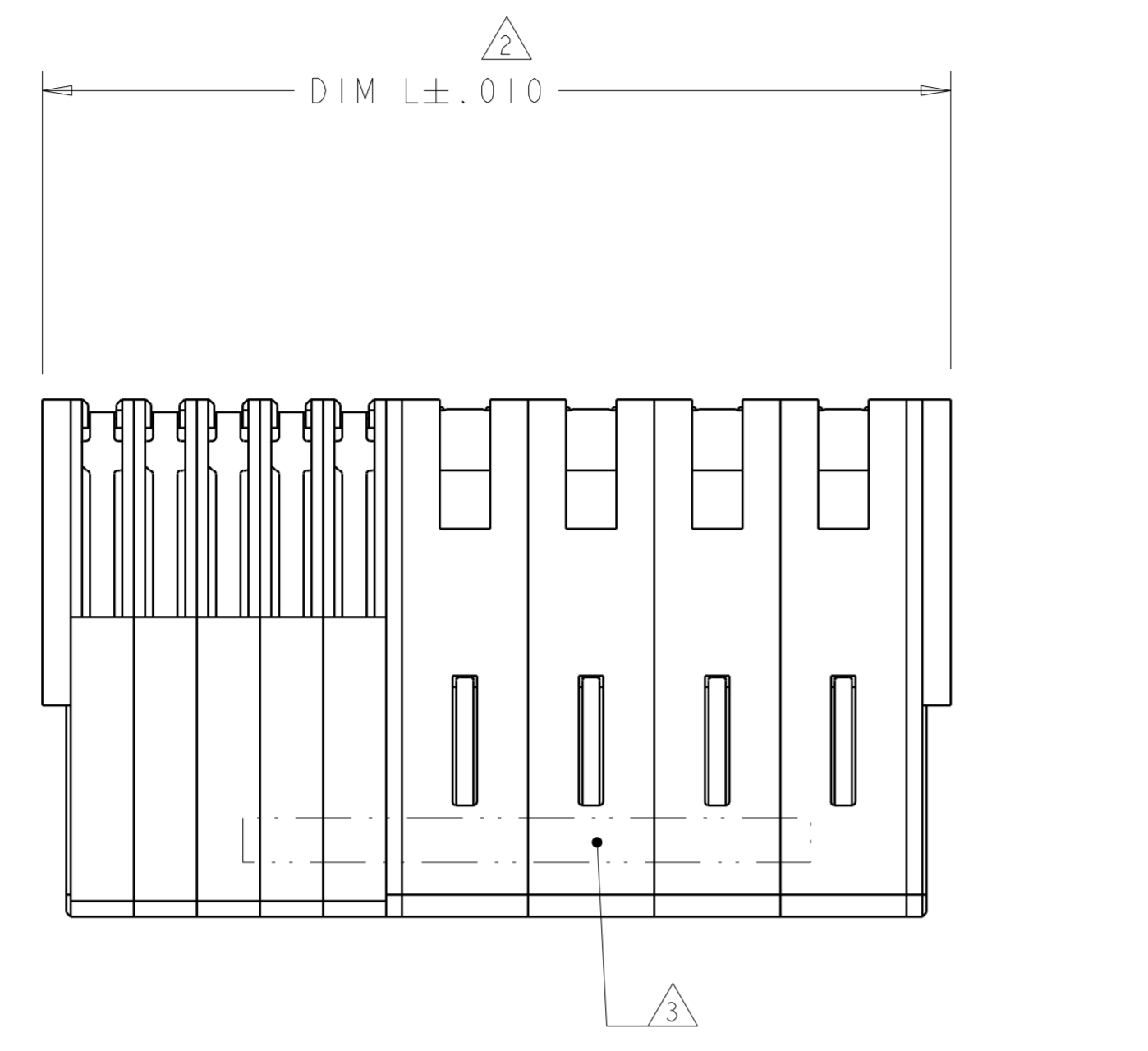
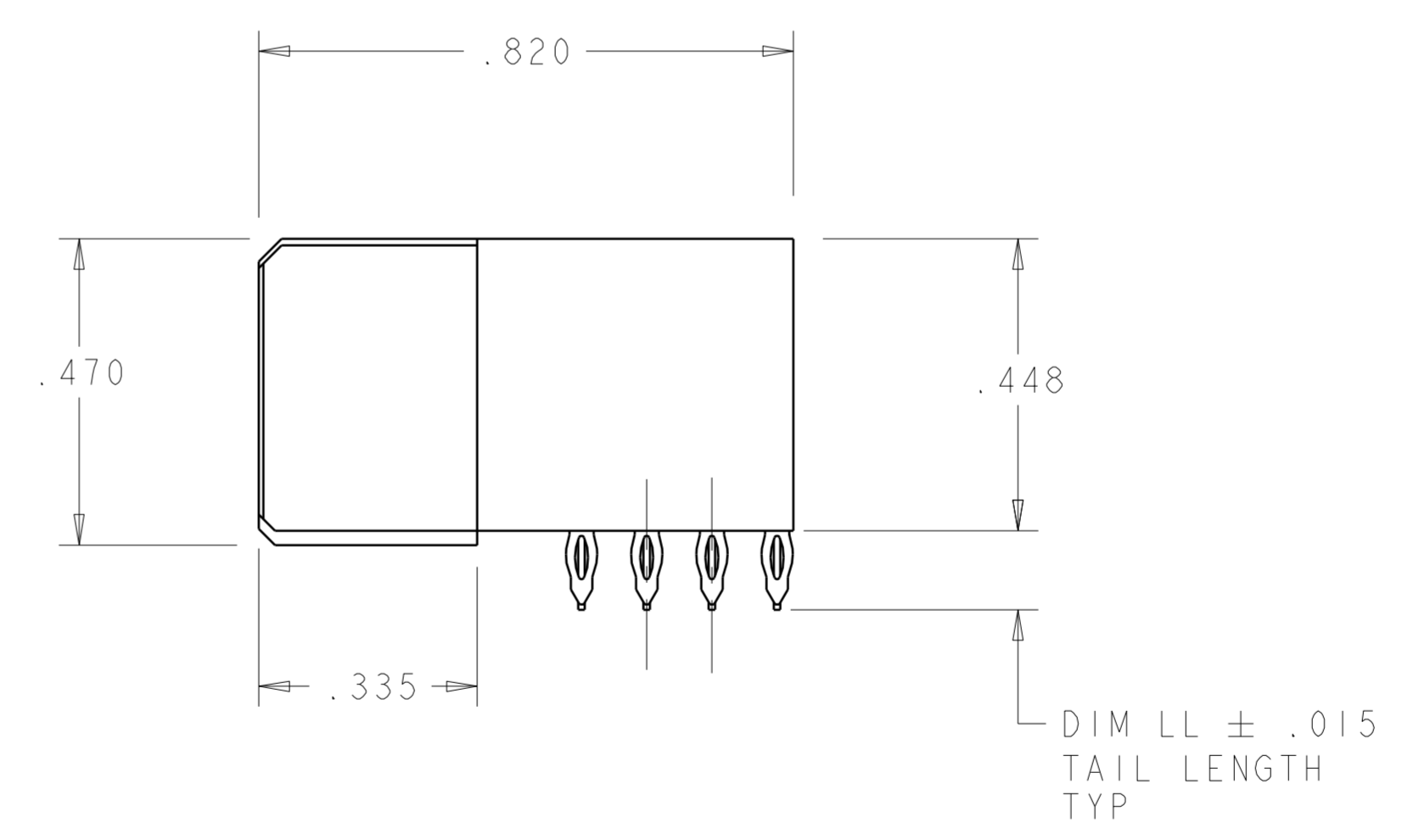
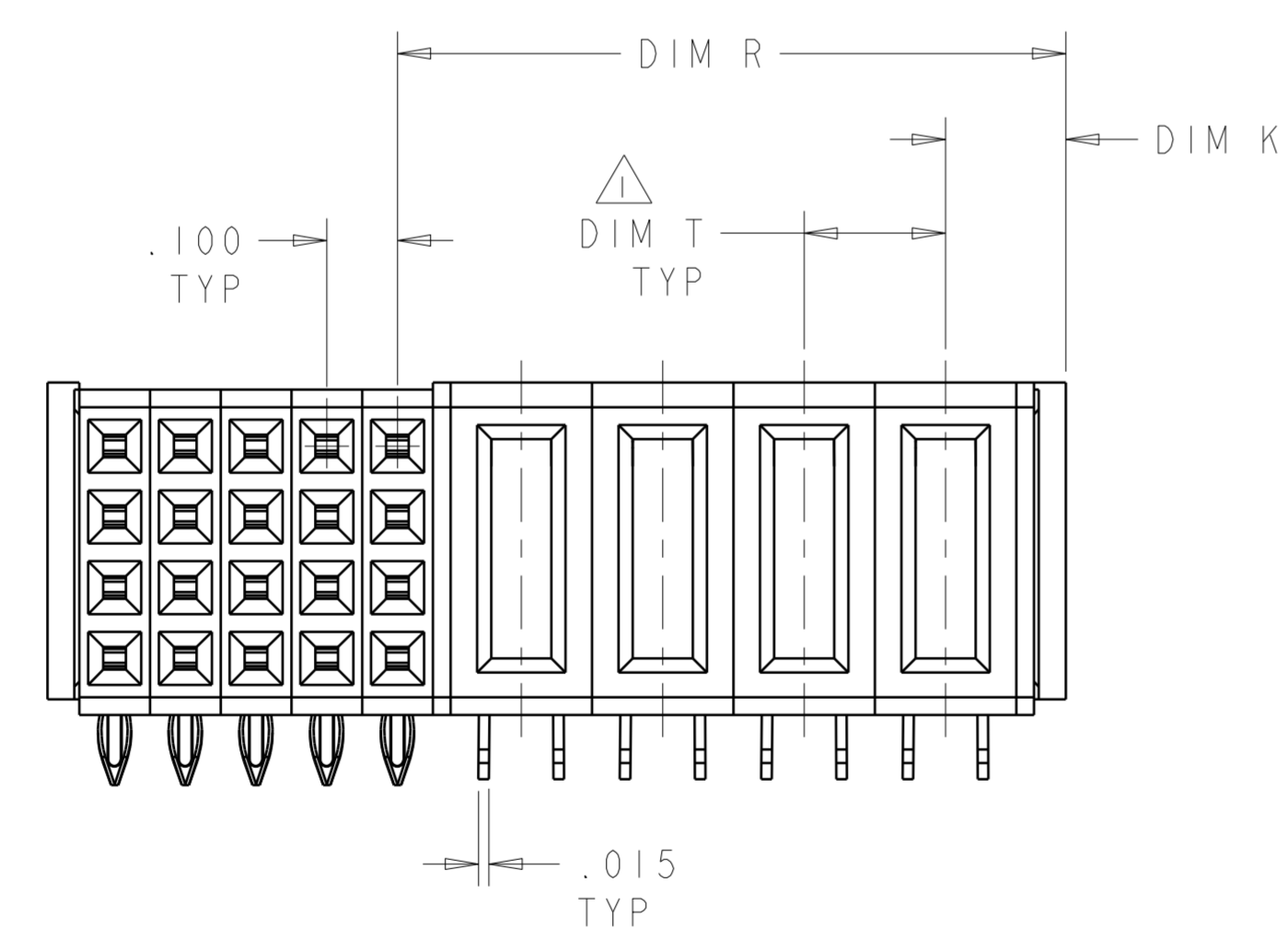


THIS DRAWING IS UNPUBLISHED. RELEASED FOR PUBLICATION 20
 © COPYRIGHT 20 BY TYCO ELECTRONICS CORPORATION. ALL RIGHTS RESERVED.

LOC	DIST	REVISIONS			
ES	00	REV	DATE	BY	APVD
		A	12OCT2006	DZ	SY



- ① DIM T IS CENTERLINE SPACING OF POWER MODULES ON RIGHT SIDE OF HOUSING.
- ② THE MAXIMUM OVERALL LENGTH OF A PART IS 8.00.
- ③ PART NUMBER, AND DATE CODE MARKED IN AREA SHOWN. MARKING ON BOTH SIDES PERMITTED FOR PARTS UNDER 2.00 LONG.
- ④ MATERIAL:
 HOUSING - GLASS FILLED HIGH TEMP THERMO PLASTIC, UL94 V-0
 SIGNAL CONTACT - HIGH CONDUCTIVITY COPPER ALLOY
 POWER CONTACT - HIGH CONDUCTIVITY COPPER-IRON ALLOY
- ⑤ CONTACT PLATING:
 SIGNAL CONTACTS - .000050 MIN Ni UNDER ALL.
 .000030 MIN Au ON CONTACT AREA.
 .000100 MIN Sn AT PCB INTERFACE.
 POWER CONTACTS - .000050 MIN Ni UNDER ALL.
 .000030 MIN Au ON CONTACT AREA.
 .000100 MIN Sn AT PCB INTERFACE.
- ⑥ MECHANICAL CONNECTOR KEEP OUT ZONE.
- ⑦ DATUM AND BASIC DIMENSIONS ESTABLISHED BY CUSTOMER.
- ⑧ PCB - ALL HOLE DIAMETERS ARE FINISHED HOLE SIZES.
- ⑨ PCB - .0453±.0010 DRILLED HOLES PLATED WITH .0003 MIN Sn OVER .001 TO .003 Cu PLATING TO ACHIEVE A .040 HOLE.
- ⑩ POWER CONTACT AREA LUBRICATED WITH LUBRICANT



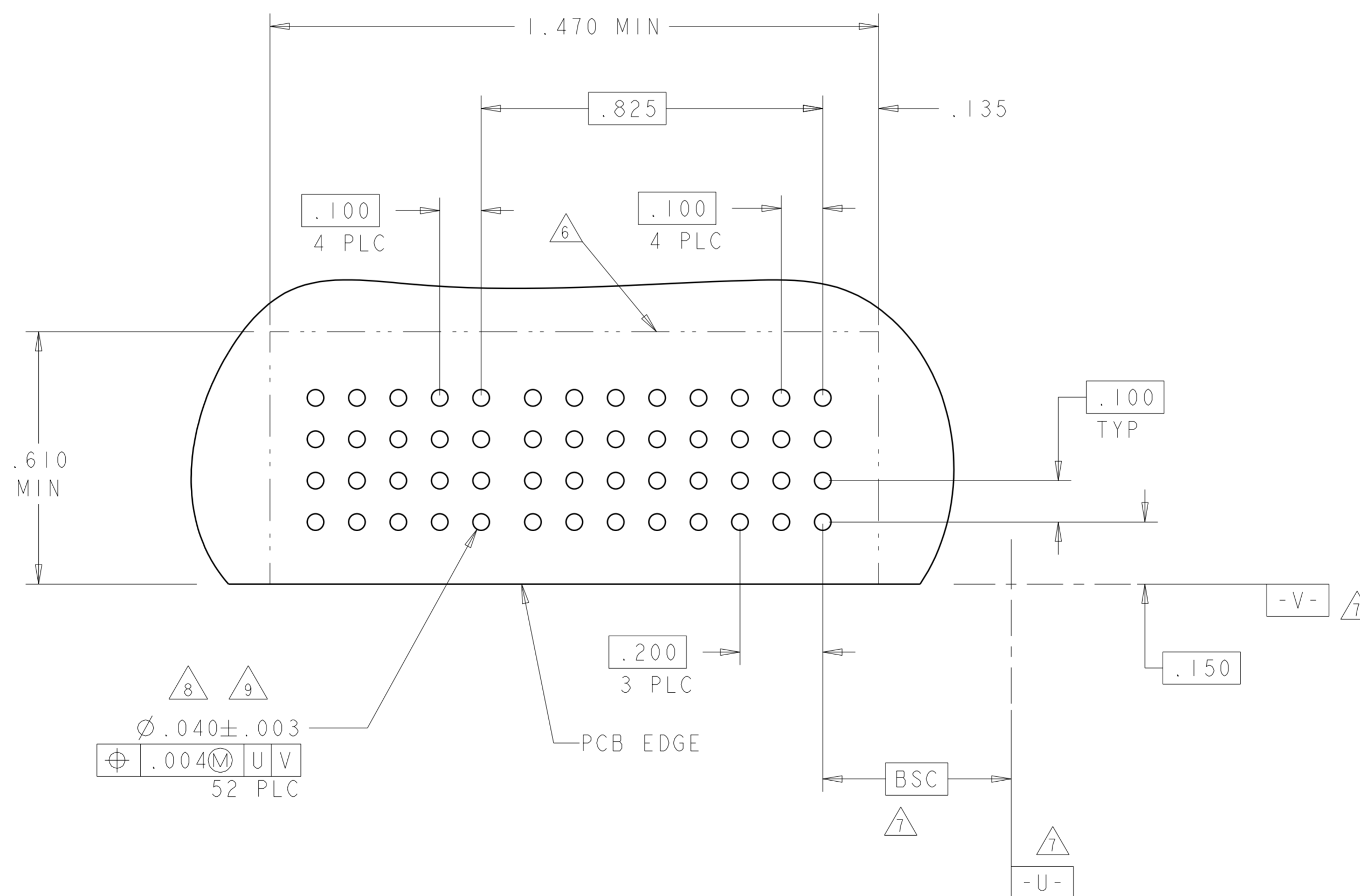
.945	.165	.200	.170	1.440	4HDP + 20S	1892536-1
DIM R	DIM LL	DIM T	DIM K	DIM L	DESCRIPTION	PART NUMBER

THIS DRAWING IS A CONTROLLED DOCUMENT FOR TYCO ELECTRONICS CORPORATION. IT IS SUBJECT TO CHANGE AND THE CONTROLLING ENGINEERING DEPARTMENT SHOULD BE CONTACTED FOR THE LATEST REVISION.		DWN: DENNY ZHU 12OCT2006 CHK: SUNY ZHAO 12OCT2006	Tyco Electronics Shanghai, P.R. China, 200233
DIMENSIONS: INCHES	TOLERANCES UNLESS OTHERWISE SPECIFIED: 0 PLC ±0 1 PLC ±0.1 2 PLC ±0.01 3 PLC ±0.005 4 PLC ±0.0005 ANGLES ±30°	NAME: SUNY ZHAO PRODUCT SPEC: 108-1973 APPLICATION SPEC: 114-13038	RIGHT ANGLE RECEPTACLE ASSEMBLY MULTI-BEAM XL, PWR-SIG, NO GUIDE PRESS FIT LEGS
MATERIAL: ④	FINISH: ⑤ ⑩	SIZE: A 00779 C=1892536 WEIGHT: -	RESTRICTED TO: - SCALE: 4:1 SHEET 1 OF 2 REV A
CUSTOMER DRAWING			

LOC	DIST	REVISIONS					
ES	00	PT	LTR	DESCRIPTION	DATE	DWN	APVD
				SEE SHEET 1			

PART NUMBER	ROWS	SIGNAL					POWER			
		5	4	3	2	1	P4	P3	P2	P1
1892536-1	D	DD	DD	DD	DD	DD				
	C	CC	CC	CC	CC	CC	RK	RK	RK	RK
	B	BB	BB	BB	BB	BB				
	A	AA	AA	AA	AA	AA				

4HDP + 20S



QTY	DESCRIPTION	IDENTIFIER
1	HOUSING, RIGHT ANGLE RECEPTACLE, MULTI-BEAM XL	HOUSING
5	RECEPT. SIGNAL CONTACT, EYE OF THE NEEDLE, ROW D	DD
5	RECEPT. SIGNAL CONTACT, EYE OF THE NEEDLE, ROW C	CC
5	RECEPT. SIGNAL CONTACT, EYE OF THE NEEDLE, ROW B	BB
5	RECEPT. SIGNAL CONTACT, EYE OF THE NEEDLE, ROW A	AA
4	RCPT POWER CONTACT, R/A, MFBL, MB XL, EYE OF THE NEEDLE	RK

THIS DRAWING IS A CONTROLLED DOCUMENT FOR TYCO ELECTRONICS CORPORATION. IT IS SUBJECT TO CHANGE AND THE CONTROLLING AND REVISION INFORMATION SHOULD BE CONTACTED FOR THE LATEST REVISION.		DWN: DENNY ZHU 12OCT2006 CHK: SUNY ZHAO 12OCT2006	NAME: SUNY ZHAO PRODUCT SPEC: - APPLICATION SPEC: - WEIGHT: - FINISH: -	Tyco Electronics Shanghai, P.R. China, 200233
DIMENSIONS: INCHES 	TOLERANCES, UNLESS OTHERWISE SPECIFIED: 0 PLC ±0 1 PLC ±0.1 2 PLC ±0.01 3 PLC ±0.005 4 PLC ±0.0005 ANGLES ±0° 30'	SIZE: A CASE CODE: 00779 DRAWING NO: C-C-1892536	RESTRICTED TO: - SCALE: 4:1 SHEET: 2 OF 2 REV: A	CUSTOMER DRAWING