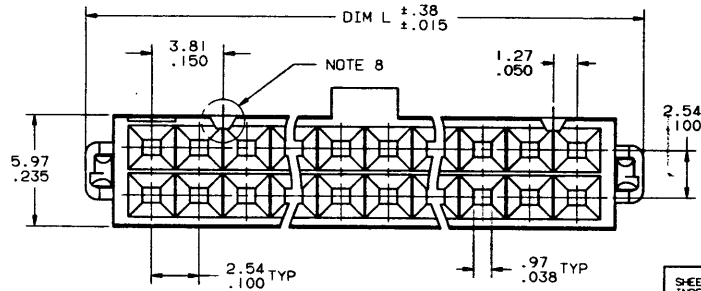
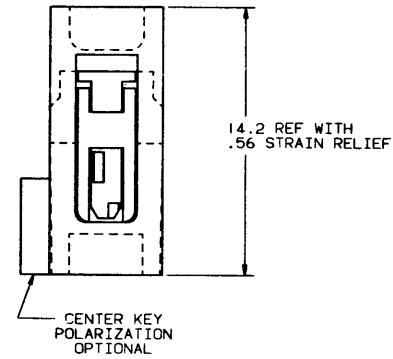
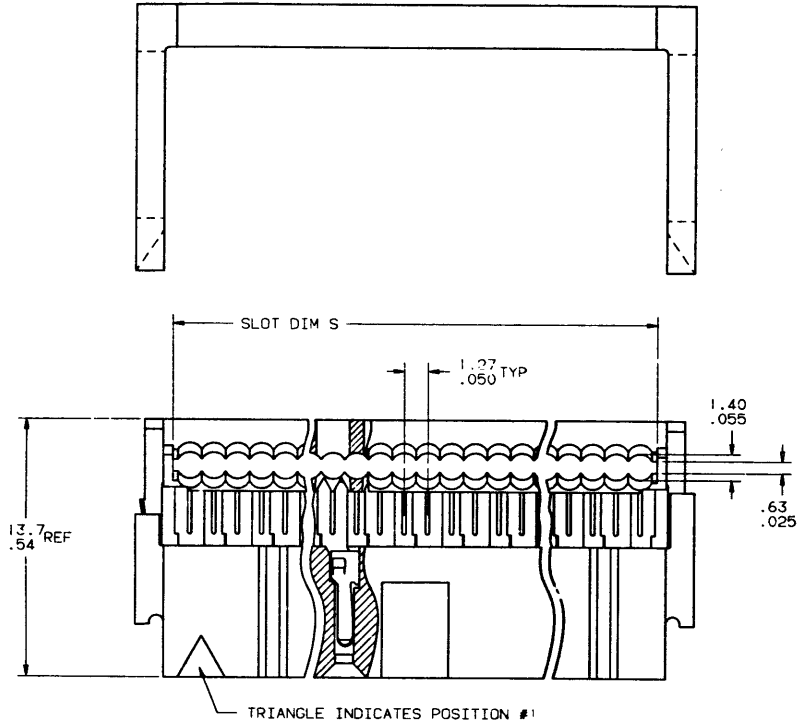


PRODUCT NO
SEE TABLE

| REVISIONS | | | |
|-----------|----------------------|-----|--------|
| REV | DESCRIPTION | BY | DATE |
| D | REDRAWN WITHOUT LOGO | RLS | 8/6/87 |



| SHEET INDEX | | ISSUE | | D | | D | | CUSTOMER COPY | | CODE IDENT | | DATE | | TITLE | | | | | |
|---|----|-------|---|----------------------|---|----------------------------------|---|---------------|---|------------|---|--------|---|--------|---|-----|--|--------------|--|
| SH | NO | 1 | 2 | 1 | 2 | 1 | 2 | 1 | 2 | 1 | 2 | 1 | 2 | 1 | 2 | | | | |
| | | | | | | | | | | | | | | | | | | | |
| MODEL | | I | | DO NOT SCALE DRAWING | | TOLERANCE UNLESS OTHERWISE NOTED | | MM/INCH | | MATERIAL | | DR | | DATE | | | | | |
| | | | | | | 0.0±0.25/.00±.01 | | /// | | R. SEIPLE | | 8/6/87 | | 8/6/87 | | | | | |
| | | | | | | 0.00±0.13/.000±.005 | | FINISH | | CHK | | 8/6/87 | | 8/6/87 | | | | | |
| | | | | | | 0.000±0.051/.0000±.0020 | | | | ENGR | | 8/6/87 | | 8/6/87 | | | | | |
| TABULATION SHEETS REQUIRED | | YES | | NO | | THIRD ANGLE PROJECTION | | MM INCH | | APPD | | 8/6/87 | | 8/6/87 | | | | | |
| | | | | | | ANGLES ±2° 0' | | | | M. HAHN | | 8/6/87 | | 8/6/87 | | | | | |
| NOTE: This print is the property of and contains proprietary designs of DUPONT CONNECTOR SYSTEMS, Division of E. I. du Pont de Nemours & Co., Inc. No part of the design shown on this print may be used in any way without the written consent of DUPONT CONNECTOR SYSTEMS, Corp. WILM., Pa. | | | | | | | | | | SCALE | | SIZE | | DWG NO | | CAD | | SHEET 1 OF 2 | |
| | | | | | | | | | | 8/1 | | D | | 68471 | | | | | |

DUPONT
CONNECTOR
SYSTEMS



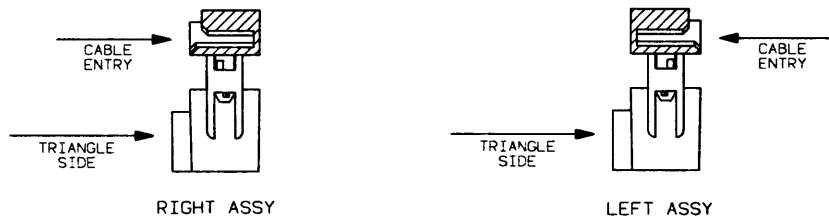
DUAL POLARIZED QUICKIE II
1.27mm/50mil Au - LOW PROFILE

| PRODUCT NO | SIZE | DIM L | DIM S |
|------------|------|-------------|-------------|
| 68471-X10 | 2X5 | 17.27/.680 | 13.21/.520 |
| -X14 | 2X7 | 22.35/.880 | 18.29/.720 |
| -X16 | 2X8 | 24.89/.980 | 20.83/.820 |
| -X20 | 2X10 | 29.97/1.180 | 25.91/1.020 |
| -X24 | 2X12 | 35.05/1.380 | 30.99/1.220 |
| -X26 | 2X13 | 37.59/1.480 | 33.53/1.320 |
| -X30 | 2X15 | 42.67/1.680 | 38.61/1.520 |
| -X34 | 2X17 | 47.75/1.880 | 43.69/1.720 |
| -X40 | 2X20 | 55.37/2.180 | 51.31/2.020 |
| -X44 | 2X22 | 60.45/2.380 | 56.39/2.220 |
| -X50 | 2X25 | 68.07/2.680 | 64.01/2.520 |
| 68471-X60 | 2X30 | 80.77/3.180 | 76.71/3.020 |

| DASH NO | COVER | | POLARIZATION | STRAIN RELIEF |
|---------|--------------|-------------|------------------------|---------------|
| | STYLE | ORIENTATION | | |
| -0XX | THRU | DUAL ENTRY | DUAL POL. | YES |
| -1XX | THRU | DUAL ENTRY | CENTER KEY & DUAL POL. | YES |
| -2XX | BLIND | RIGHT | DUAL POL. | YES |
| -3XX | BLIND | RIGHT | CENTER KEY & DUAL POL. | YES |
| -4XX | BLIND | LEFT | DUAL POL. | YES |
| -5XX | BLIND | LEF | CENTER KEY & DUAL POL. | YES |
| -6XX | BLIND | RIGHT | CENTER KEY & DUAL POL. | NO |
| -7XX | BLIND | LEFT | CENTER KEY & DUAL POL. | NO |
| -8XX | DISCONTINUED | | | |
| -9XX | DISCONTINUED | | | |

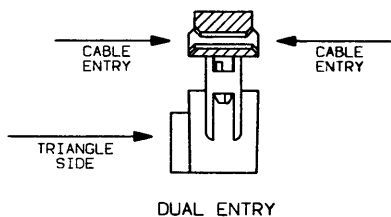
| REVISIONS | | | |
|-----------|-------------|----|------|
| REV | DESCRIPTION | BY | DATE |
| D | | | |

COVER ORIENTATION



RIGHT ASSY

LEFT ASSY



DUAL ENTRY

NOTES:

1. TERMINAL MATERIAL: FULL HARD PHOS. BRONZE ALLOY, UNS-C51000.
2. TERMINAL PLATING: 1.27 μ /50 μ " MIN NI UNDERPLATE OVER ENTIRE TERMINAL AND 1.27 μ /50 μ " MIN Au IN DISCONNECT AREA ONLY.
3. MOLDING MATERIAL: BASE & COVER- GLASS FILLED POLYESTER, FLAME RETARDANT PER UL94V-0, COLOR- BLUE.
4. CONNECTOR ASSEMBLIES PACKAGED IN TUBES.
5. THE FIRST TWO CAVITY POSITIONS AND THE LAST TWO, ARE IDENTIFIED BY NUMBER.
6. POLARIZING FEATURES ARE DESCRIBED IN TABLE.
7. MOLDING MATERIAL: STRAIN RELIEF- POLYSULFONE, FLAME RETARDANT PER UL94V-0, COLOR- NATURAL.
8. THE POLARIZING FEATURE ON THIS END IS NON-EXISTANT ON 2x5 AND 2x7 POSITION CONNECTORS.
9. 2x5 POSITION NOT AVAILABLE WITH POLARIZATION SLOT ON CENTER KEY STYLE.

| | | | | | | | | | | | | | | | | | |
|----------------------------|--|--------|--|---------|--|------------------------|--|----------------------------------|--|----------|--|---------------|--|--------|--|---------------------------|--|
| SHEET INDEX | | ISSUE | | MODEL | | DO NOT SCALE DRAWING | | TOLERANCE UNLESS OTHERWISE NOTED | | MATERIAL | | DR. R. SEIPLE | | DATE | | CUSTOMER COPY | |
| SH NO | | I | | I | | | | MM/INCH | | /// | | 8/6/87 | | 22526 | | DU PONT CONNECTOR SYSTEMS | |
| | | | | | | | | LINEAR | | FINISH | | ENGR. M. HAHN | | 8/6/87 | | DU PONT | |
| | | | | | | | | 0.00±0.13/.000±.005 | | | | APPR. M. HAHN | | 8/6/87 | | DU PONT | |
| | | | | | | | | 0.000±0.051/.0000±.0020 | | | | 8/1 | | D | | 68471 | |
| TABULATION SHEETS REQUIRED | | YES NO | | MM INCH | | THIRD ANGLE PROJECTION | | ANGLES: 12° 0' | | | | SCALE | | SIZE | | DWG NO | |
| NO | | | | | | | | | | | | 8/1 | | D | | 68471 | |
| | | | | | | | | | | | | | | | | SHEET 2 | |

NOTE: This notice is the property of and embodies proprietary designs of DUPONT CONNECTOR SYSTEMS, Division of E.I. du Pont de Nemours & Co., Inc. No part of the design shown on this notice may be used in any way without the written consent of DUPONT CONNECTOR SYSTEMS, Corp. HILL, PA.