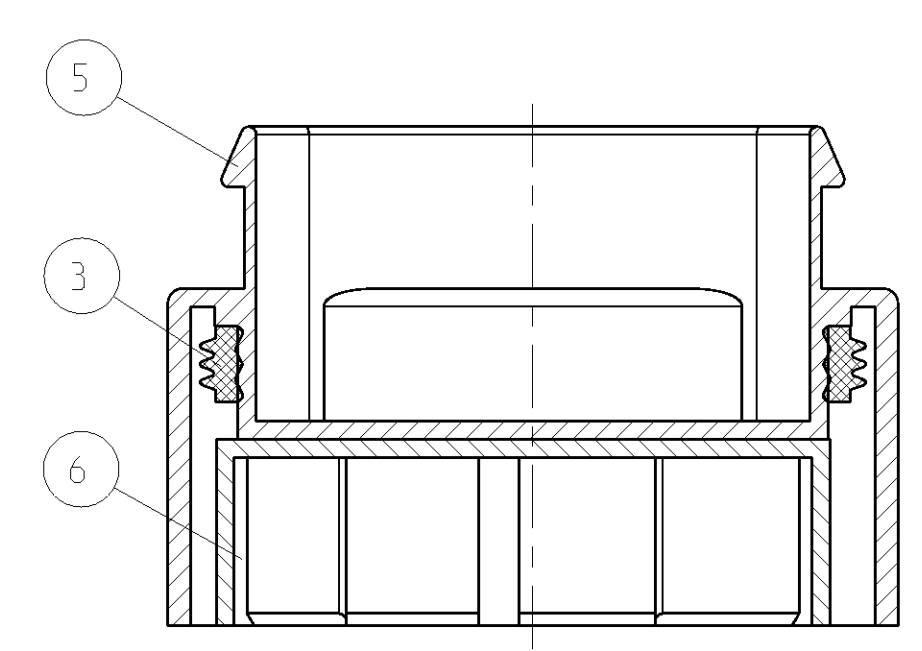
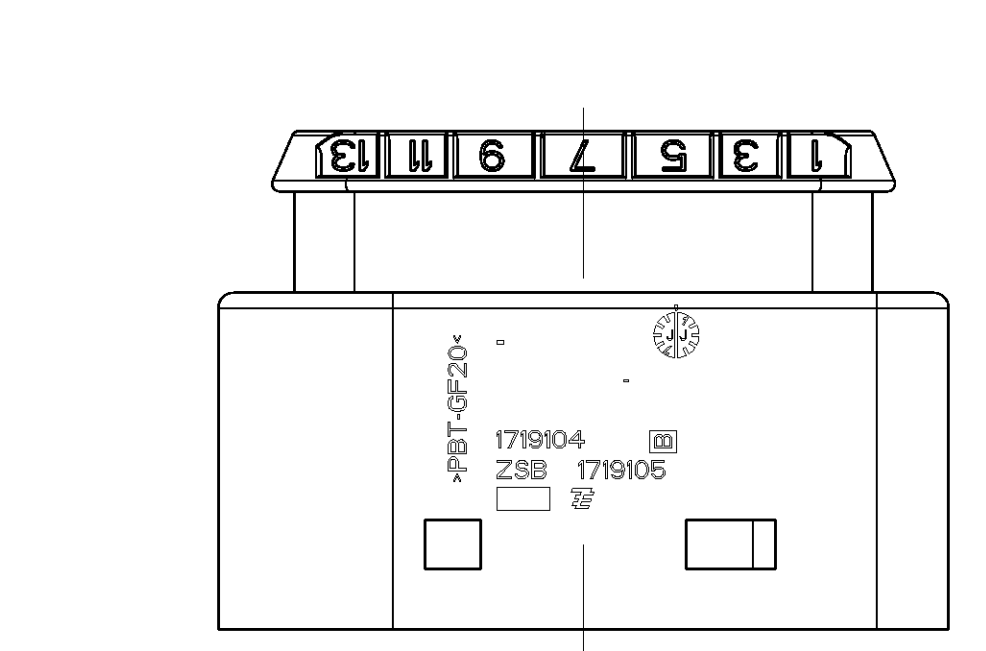
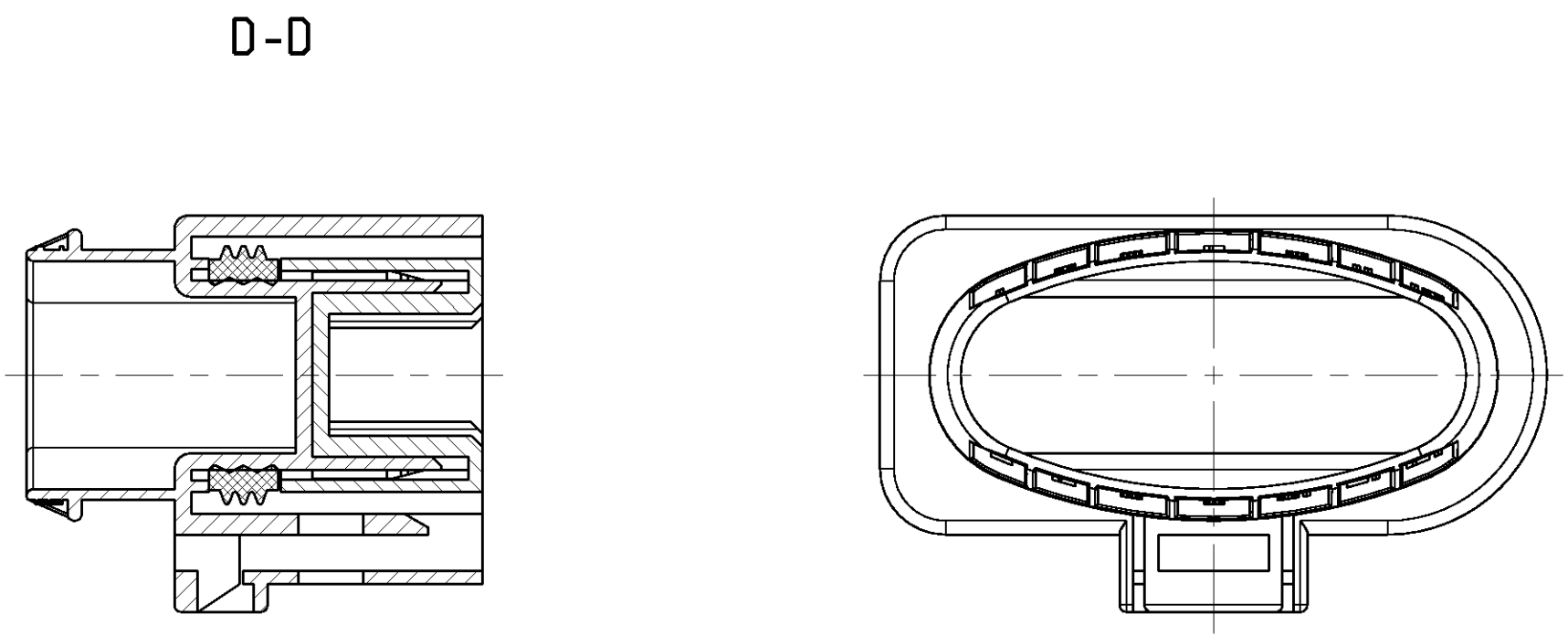
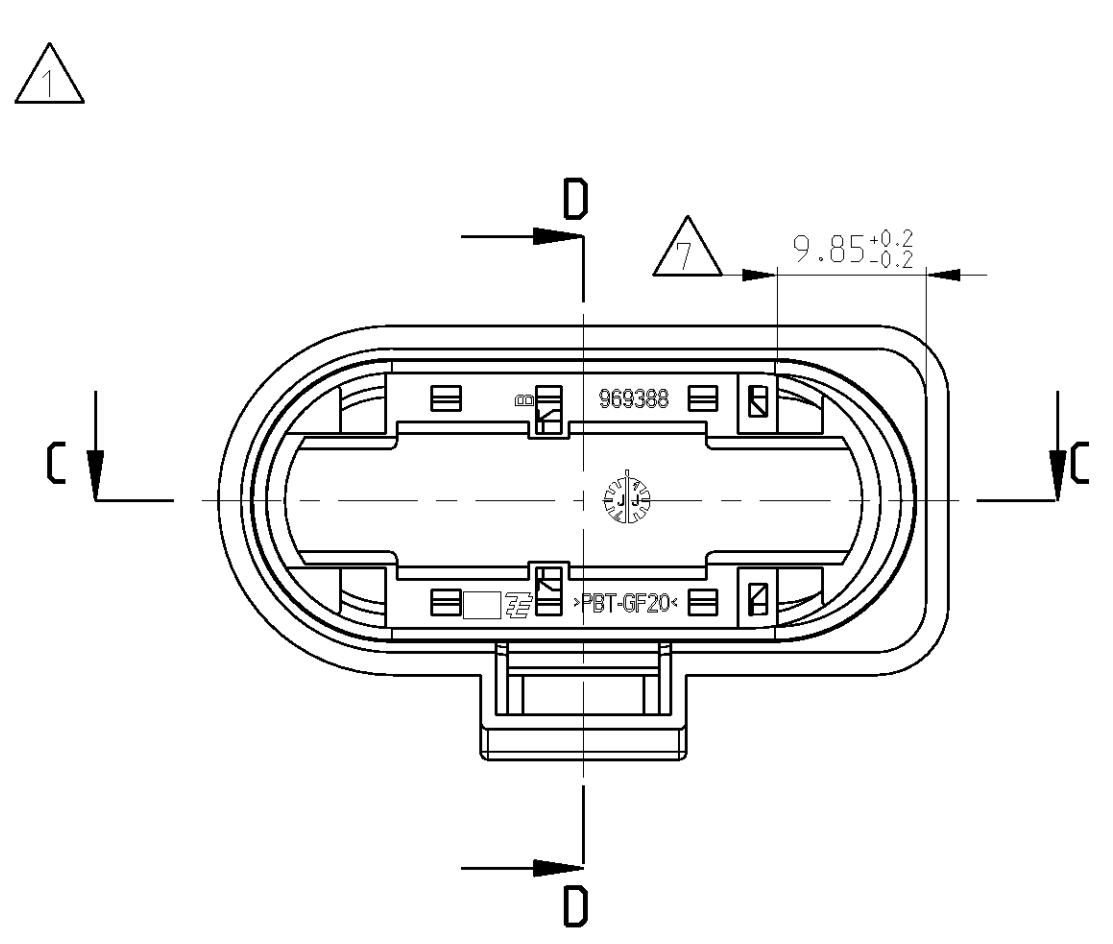
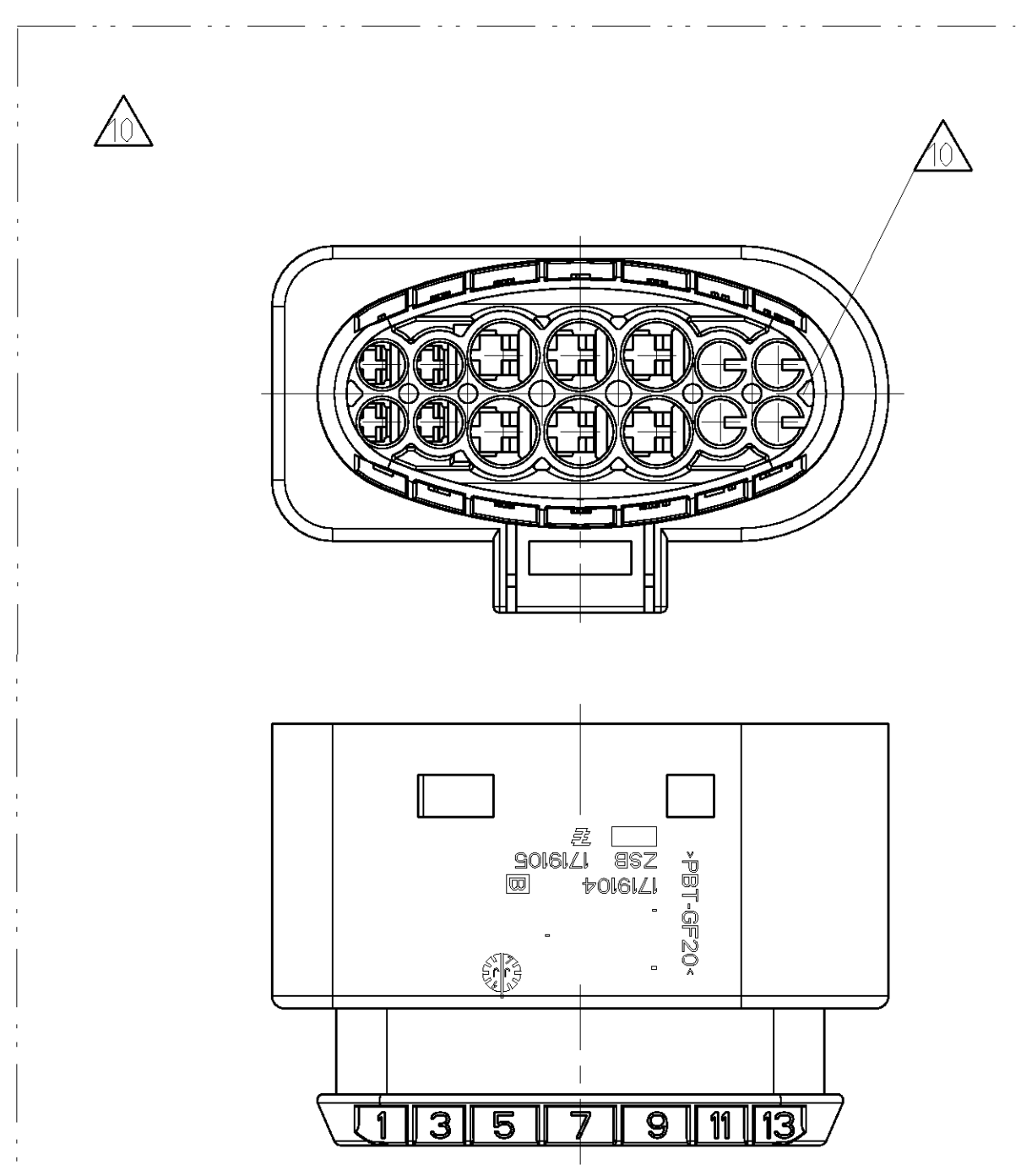
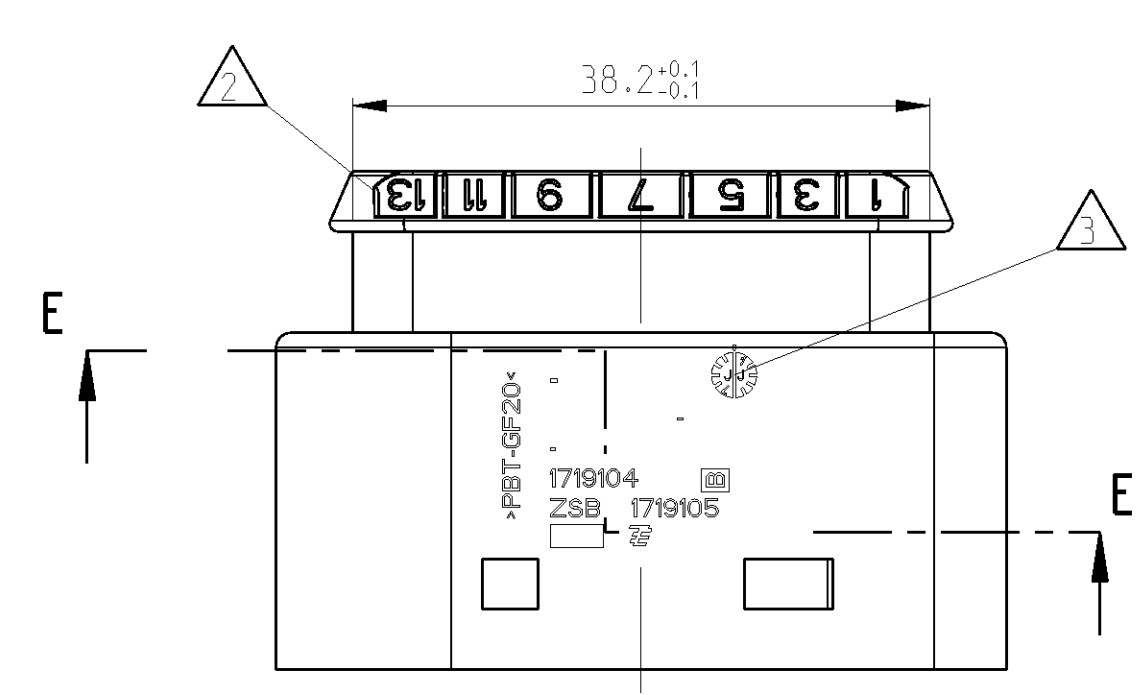
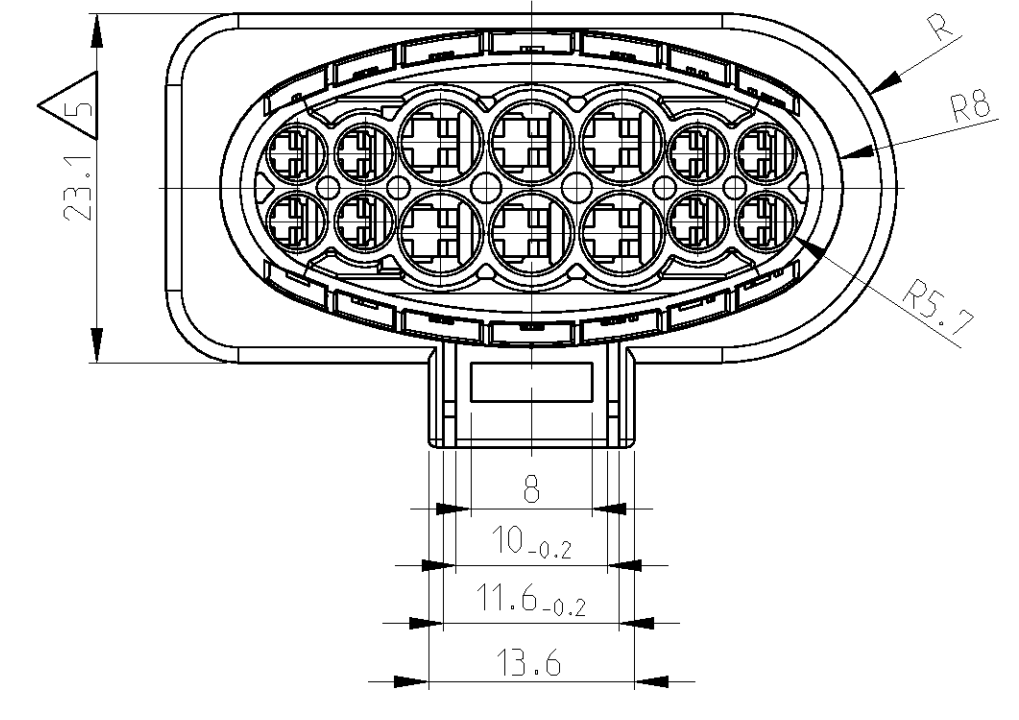
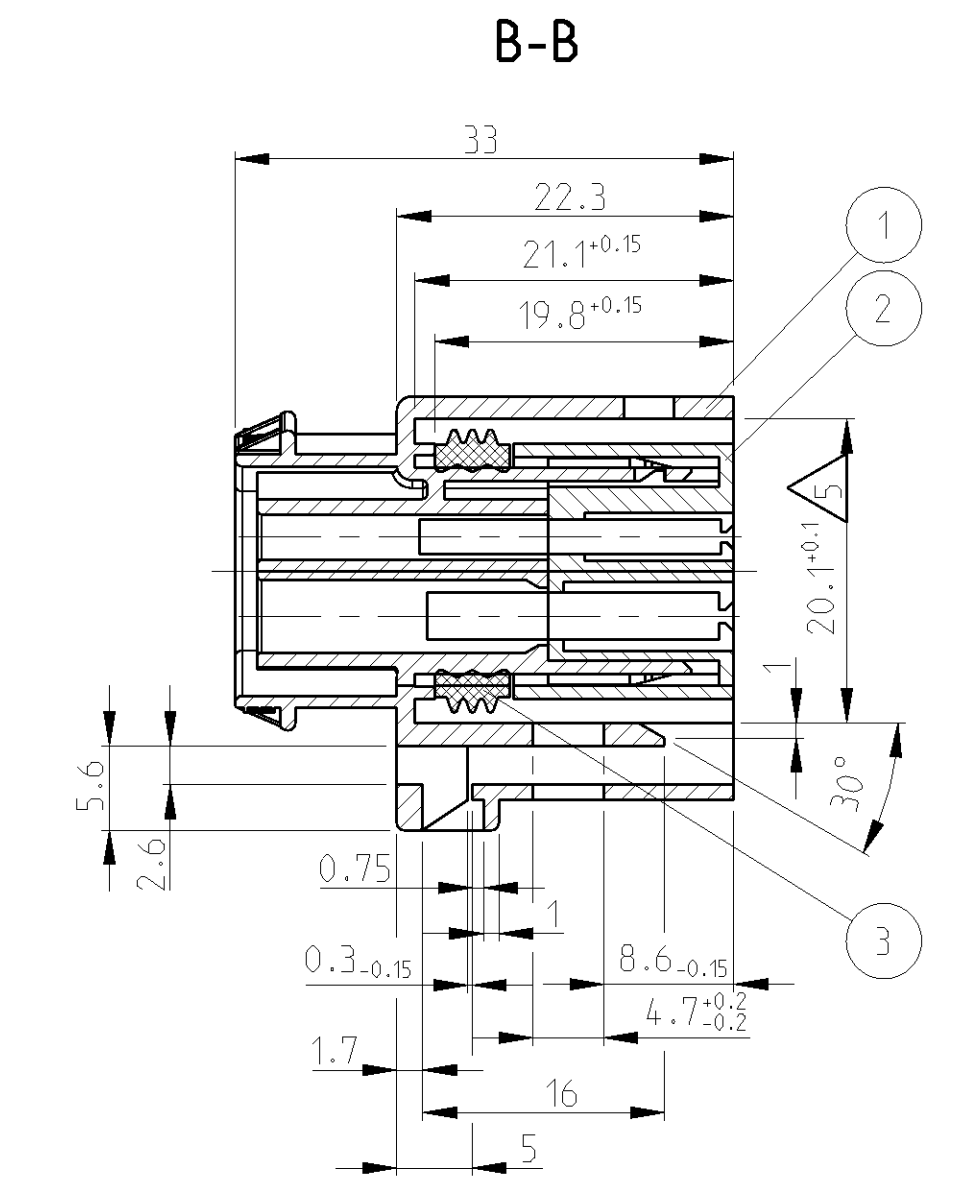
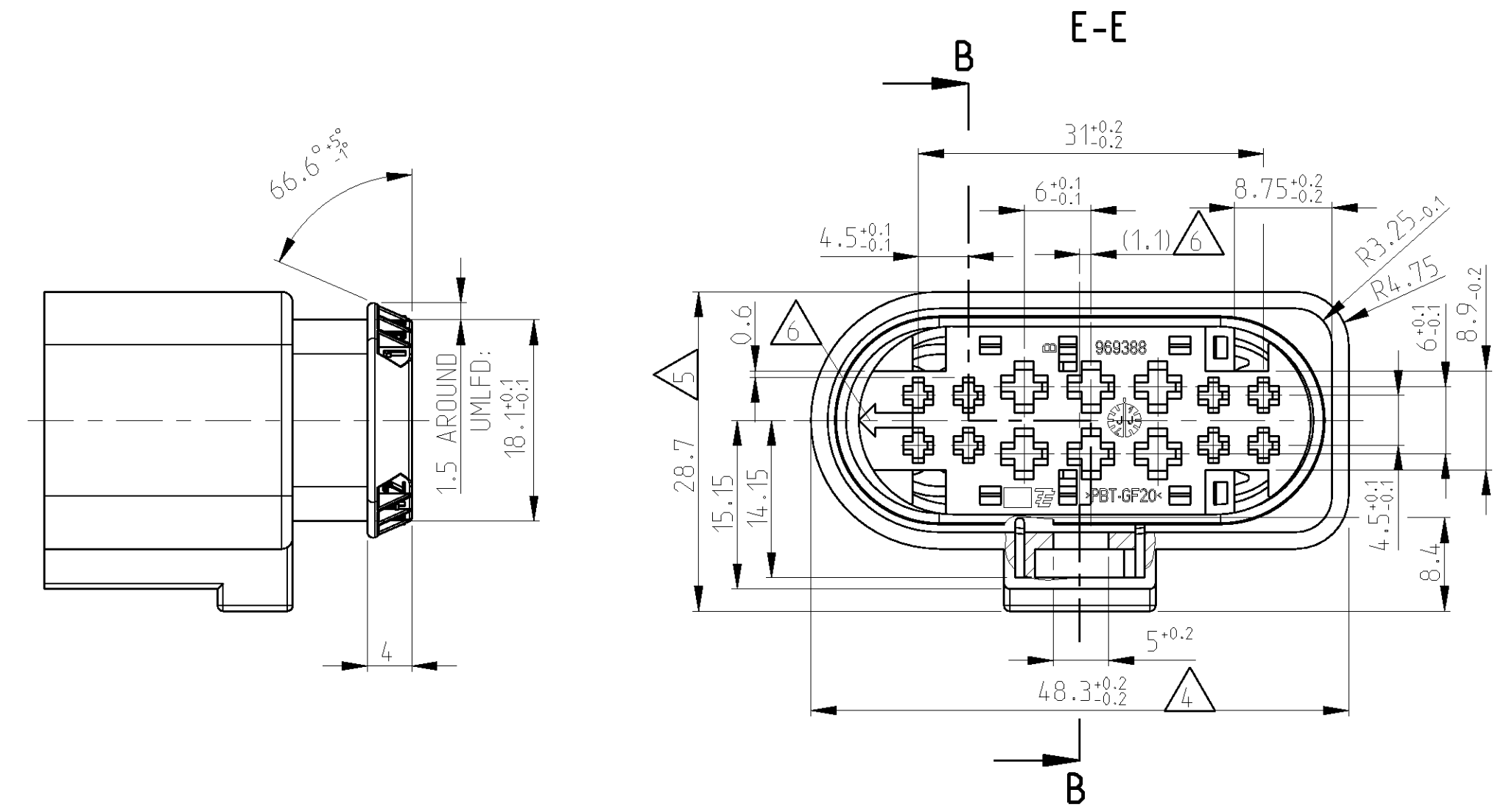


LOC	DIST	REV	DATE	BY	CHK	APPV
A1	-	B	15-Okt-08	K.G	Thiel	
		B1	25FEB2010	K.G	Thiel	
		C	26MAR2010	K.G	Thiel	
		C1	03SEP2010	TS	Thiel	



- NOTES
BEMERKUNGEN
- DEAD END HOUSING ASSEMBLY, 14 POSITION, RADIAL SEAL, Junior-Power-Timer/Micro-Timer 2
 - BLINDGEHAUSE KOMPLETT, 14POLIG, RADIALDICHT, Junior-Power-Timer/Micro-Timer 2
 - CONTACT CAVITY NUMBER: CHARACTERS 2.5 RECEDE 0.3
KONTAKTKAMMERNUMMER: SCHRIFTHOEHE 2.5 VERTIEFT 0.3
 - DATE OF PRODUCTION WITH DATE INSERT Ø3
PRODUKTIONSdatum MIT DATUMSUHR Ø3
 - ALLOWED WARPAGE ±0.3
ZULAESSIGER VERZUG ±0.3
 - ALLOWED WARPAGE -0.5
ZULAESSIGER VERZUG -0.5
 - SHOWN AS SUPPLIED: RETAINER IN PRELOCKED POSITION.
AFTER CONTACT LOADING TO DRIFT IN THIS DIRECTION (1.1MM)
 - LIEFERZUSTAND GEZEICHNET: VERRIEGELUNG IN VORRASTSTELLUNG.
NACH KONTAKTBESTUECKUNG IN DIESER RICHTUNG VERSCHIEBEN (1.1MM)
 - SHOWN AS SUPPLIED: RETAINER IN ENDOCKED POSITION.
LIEFERZUSTAND GEZEICHNET: VERRIEGELUNG IN ENDRASTSTELLUNG
 - THE PART NO 1719105 ASSEMBLED FOR EXAMPLE WITH CONTACT 964274-2/964286-2 AND SEALING 964972-1/963294-1 WILL HAVE THE SUITABLE MATING PART 969871
 - DAS TEIL 1719105 WIRD Z.B. MIT DEM KONTAKT 964274-2/964286-2 UND EINZELADERDICHTUNG 964972-1/963294-1 BESTUECKT AUF DAS TEIL 969871 GESTECKT
 - BULK PACKAGED
VERPACKT ALS SCHUETTGUT
 - CONTACT CAVITY NO 11, 12, 13 AND 14 GESCHLOSSEN
 - MARKING DEVIATIONS AT PARTS FROM OLDER MOLDS ARE ALLOWED
ABWEICHENDE BESCHRIFTUNG AUS ALTWERKZEUGEN ZULAESSIG

REV	DATE	BY	CHK	APPV	DESCRIPTION	QTY	ITEM NO
1	4-1719105-1	C			MVQ ORANGE SEALING. ...	1	3
		C			PBT-GF20 VIOLET SEALING LOCK. ...	1	6
		C			PBT-GF20 BLACK DEAD END COVER HOUSING...	1	5
10	3-1719105-1	C			MVQ ORANGE SEALING. ...	1	3
		C			PBT-GF20 VIOLET REC HOUSING. 14 POSN. ...	1	2
		C			PBT-GF20 BLACK COVER HOUSING. 10 POSN. ...	1	4
		C			MVQ ORANGE SEALING. ...	1	3
		C			PBT-GF20 VIOLET REC HOUSING. 14 POSN. ...	1	2
		C			PBT-GF20 BLACK COVER HOUSING. 14 POSN. ...	1	1

TE NO	REV	MATERIAL	COLOR	DESCRIPTION	QTY	ITEM NO
1719105-1		MVQ	ORANGE	SEALING. ...	1	3
		PBT-GF20	VIOLET	SEALING LOCK. ...	1	6
		PBT-GF20	BLACK	DEAD END COVER HOUSING...	1	5
		MVQ	ORANGE	SEALING. ...	1	3
		PBT-GF20	VIOLET	REC HOUSING. 14 POSN. ...	1	2
		PBT-GF20	BLACK	COVER HOUSING. 10 POSN. ...	1	4
		MVQ	ORANGE	SEALING. ...	1	3
		PBT-GF20	VIOLET	REC HOUSING. 14 POSN. ...	1	2
		PBT-GF20	BLACK	COVER HOUSING. 14 POSN. ...	1	1

DATE	BY	CHK	APPV	DESCRIPTION
03-SEP-10	K. Gossen			
09-JUN-05	F. Thiel			
09-JUN-05	S. Glaser			

SYMBOL	DESCRIPTION
⊕	PLC TO DIN 19091-14
⊖	ENTRICAL TO NOMINAL DIM
⊗	FINISH SURFACE COLOR S.TAB.

TYCO ELECTRONICS	TYCO ELECTRONICS
AMP 4895 REV 31MAR2008	AMP 4895 REV 31MAR2008