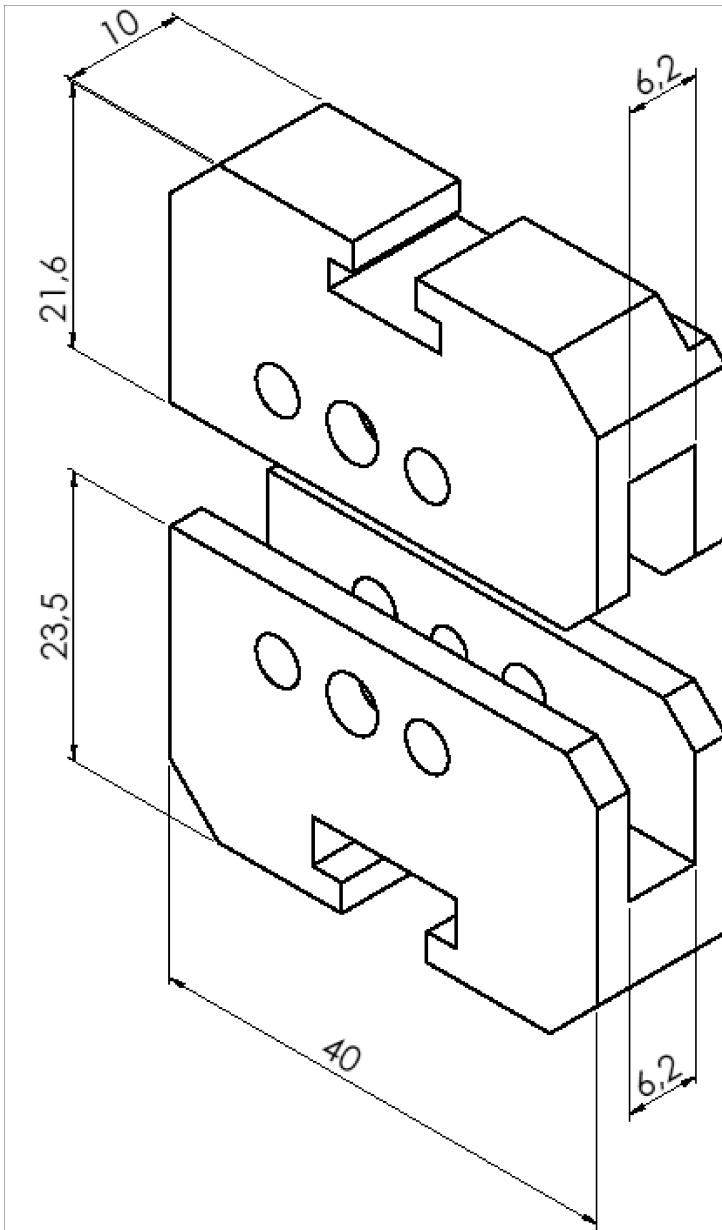


LOC AI	DIST 00	REVISIONS			
P	LTR	DESCRIPTION	DATE	DWN	APVD
A		INITIAL REVISION	19MAY10	LS	SA



THIS DRAWING IS UNPUBLISHED.

RELEASED FOR PUBLICATION
ALL INTERNATIONAL RIGHTS RESERVED.

COPYRIGHT - BY TYCO ELECTRONICS CORPORATION.

THIS DRAWING IS UNPUBLISHED.

DIMENSIONS: mm	DWN L. Sandhu	11MAY10	MATERIAL	FINISH
	CHK S. Samstag	19MAY10	Tyco Electronics AMP GmbH 64625 Bensheim (Germany)	
TOLERANCES UNLESS OTHERWISE SPECIFIED: 0 PLC ± - 1 PLC ± - 2 PLC ± - 3 PLC ± - 4 PLC ± - ANGLES ± -	APVD S. Samstag	19MAY10		
	PRODUCT SPEC		SIZE	CAGE CODE
	APPLICATION SPEC		DRAWING NO	RESTRICTED TO
	WEIGHT	-	A4	00779
CUSTOMER DRAWING			SCALE	SHEET
			-	1 OF 1
				REV A

