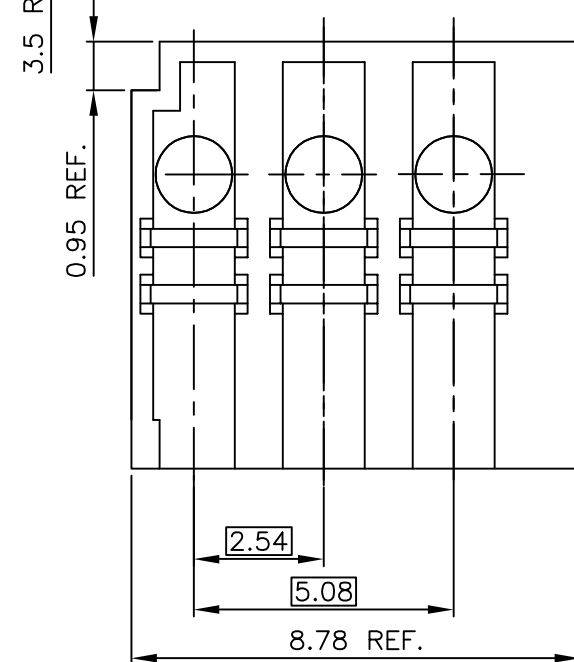
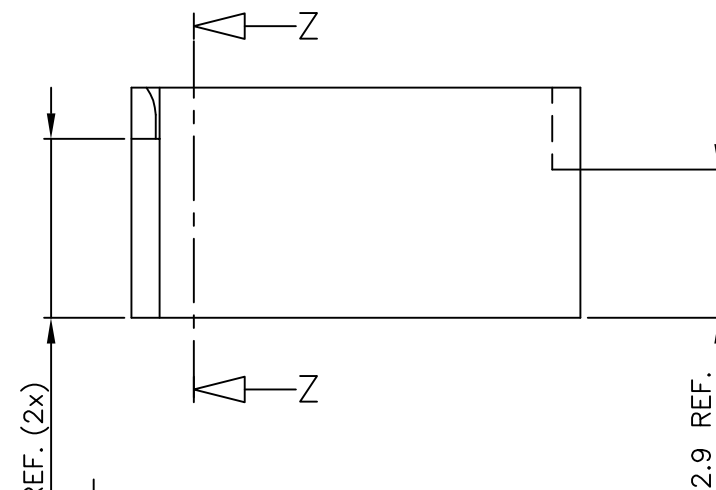
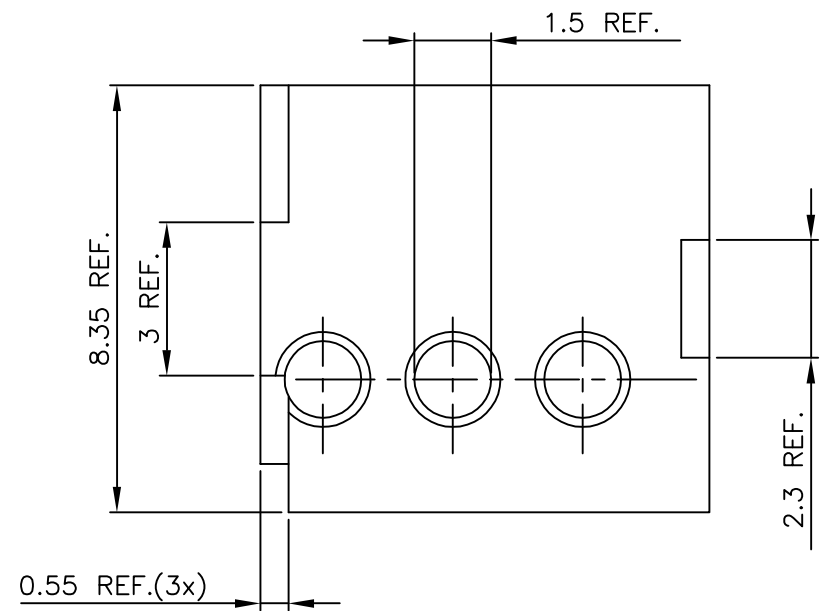


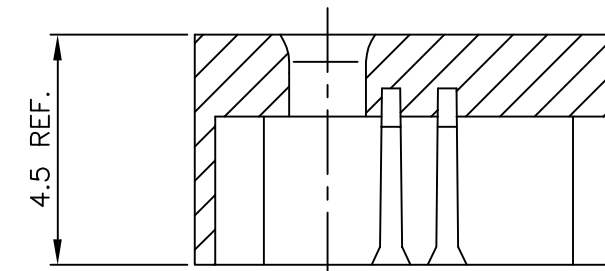
Product number
85342-001

NOTES:-

1. THIS PRODUCT MEETS EUROPEAN UNION DIRECTIVES AND OTHER COUNTRY REGULATIONS AS DESCRIBED IN GS-22-008.
2. LEADFREE OR RoHS DIRECTIVE LABELLING TO BE PROVIDED AS PER GS-14-920.
3. " LF " SUFFIX TO PRODUCT NUMBER FOR RoHS COMPATIBLE/ LEADFREE VERSION.
4. PARTS WITH AND WITHOUT "LF " SUFFIX ARE FORM-FIT AND FUNCTIONALLY IDENTICAL. " LF " SUFFIX PROVIDED FOR PART NUMBER STANDARDISATION OF PART THAT MEETS RoHS REQUIREMENTS.
5. MATERIAL: PBT THERMOPLASTIC POLYESTER 30% GLASS FILLED FLAME RETARDANT PER UL 94-V0, COLOUR GREY
6. MINIMUM APPLICABLE DIAMETER OF 1mm FOR ALL SINGLE WIRES



SECTION Z-Z



mat'l. code		surface		tolerance		projection		product family	
SEE NOTE		ISO 1302		ISO 406		ISO 101		Backpanel	
ltr	ecn no	dr	date	tolerances unless otherwise specified		mm		title	
A	H50211	RVI	1995-04-03	angles		linear		Cable Conn.3x1	
B	H50622	RVI	1995-10-23	linear		scale 10:1		PIERCE BLOCK 24AWG	
C	05-0248	MINI	2005-11-22	linear		scale 10:1		dwg no	
D	06-0083	MINI	2006-06-01	dr		R. Visschers		sheet 1 of 1 size	
				enr		R. Bekker		85342	
				chr		RAKHEE GEORGE		A2	
				app		RAKHEE GEORGE		type	
								CUSTOMER Drawing	
sheet	revision	D							
index	sheet	1							