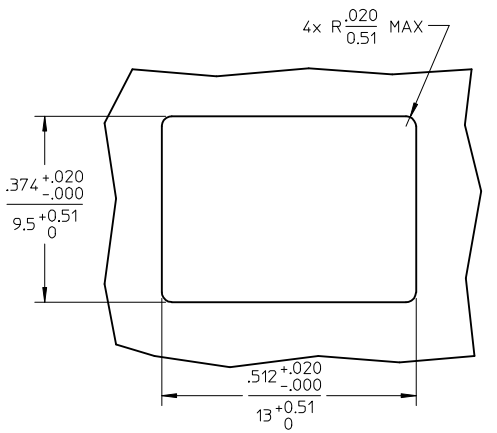
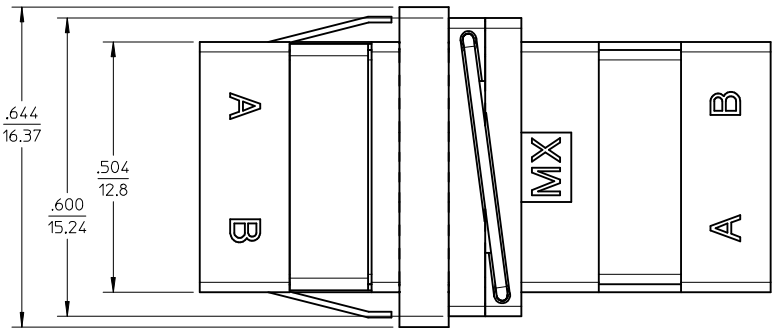
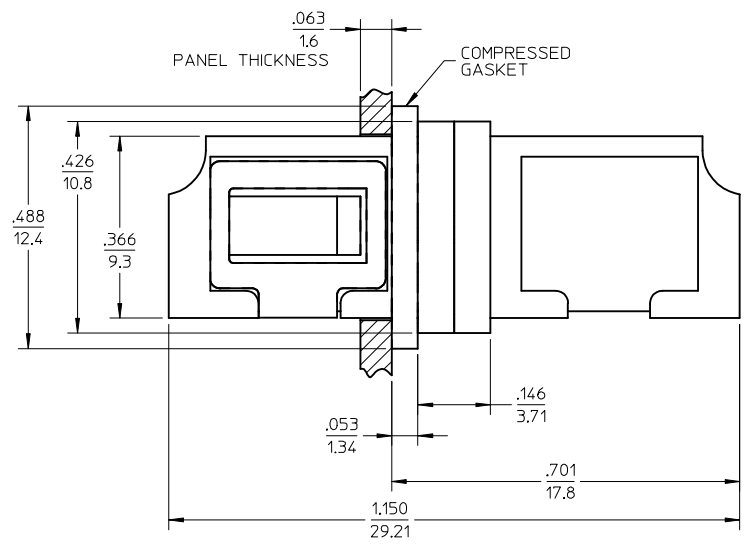
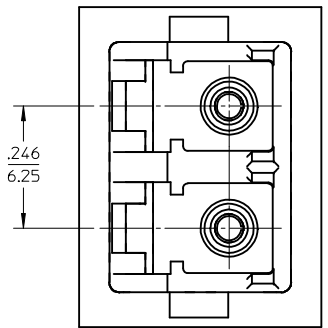
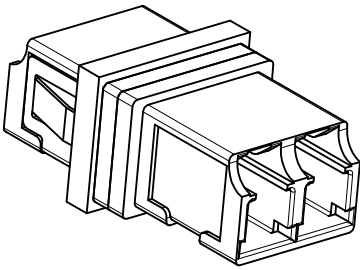


10	9	8	7	6	5	4	3	2	1
ADAPTER P/N	SPLIT SLEEVE MATERIAL								
106115-2100	Zr								
106115-2106	Ph. Bronze								



RECOMMENDED PANEL CUTOUT
 PANEL THICKNESS - 1.6mm/.063"



- NOTES:
1. ALL DIMENSIONS ARE FOR REFERENCE ONLY.
 2. CONDUCTIVE FABRIC OVER FOAM GASKET IS SUPPLIED WITH PART.
 3. PART IS DIECAST.
 4. DUST CAPS NOT SHOWN.
 5. PACKAGING: 25 ADAPTERS PER TRAY AND 4 TRAYS PER BOX. PACKING TRAY AND SHIPPING CONTAINER ARE LABELED WITH MX P/N AND REVISION.

ENTER DESCRIPTION EC NO: MF2016-0021 DRWN: YBEDYAK 2015/07/14 CHKD: APPR: IGUMIN 2015/07/15 REV D	QUALITY SYMBOLS	GENERAL TOLERANCES (UNLESS SPECIFIED)	DIMENSION STYLE	SCALE	DESIGN UNITS	THIRD ANGLE PROJECTION
	▽=0	mm INCH	IN/MM	4:1	INCH	
	▽=0	4 PLACES ± --- ± ---	DRAWN BY DATE	TITLE	LC-D EMI ADAPTER, (SNAP MOUNT)	
	▽=0	3 PLACES ± --- ± ---	PGIBLIN 2005/12/08			
▽=0	2 PLACES ± --- ± ---	CHECKED BY DATE	APPROVED BY DATE			
	1 PLACE ± --- ± ---	0 PLACE ± ±				
	ANGULAR ±1/2°	DRAFT WHERE APPLICABLE MUST REMAIN WITHIN DIMENSIONS	MATERIAL NO. SEE TABLE	DOCUMENT NO. SD-106115-210X	SHEET NO. 1 OF 1	
			SIZE B	THIS DRAWING CONTAINS INFORMATION THAT IS PROPRIETARY TO MOLEX INCORPORATED AND SHOULD NOT BE USED WITHOUT WRITTEN PERMISSION		