

MATERIALS AND FINISHES

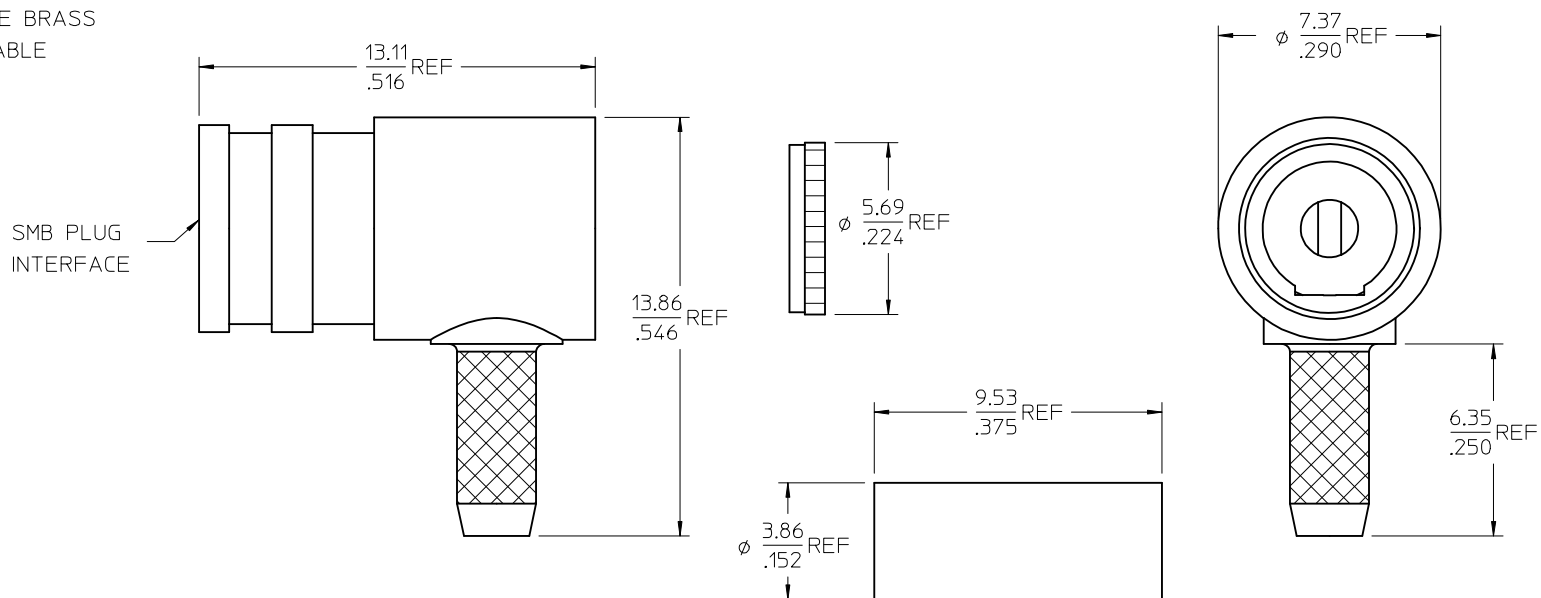
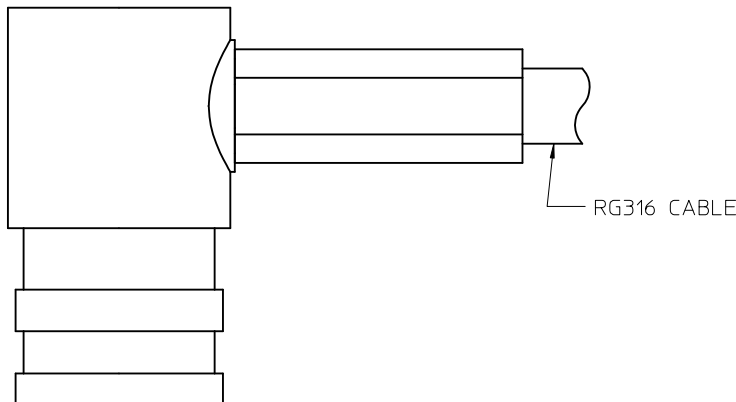
BODY ZINC ALLOY
PLATED SEE TABLE

CENTER CONTACT PHOSPHOR BRONZE
PLATED GOLD

OUTER CONTACT BERYLLIUM COPPER
PLATED SEE TABLE

INSULATOR TEFLON

CAP, CRIMP TUBE BRASS
PLATED SEE TABLE



AS-89678-8540	CABLE ASSEMBLY INSTR.
MIL-STD-348A, FIG. 311.2	INTERFACE
SPECIFICATION	DESCRIPTION

73404-0741	NICKEL
73404-0740	GOLD
PART NO.	PLATING

CHG: REDREW IN SD ADDED P/N 73404-0741	EC NO: URF2007-0416	DRWN: LAHERTY 2007/04/19	CHKD: SHAH 2007/04/19	APPR: WIENER 2007/04/19
	DESCRIPTION			
A1				

QUALITY SYMBOLS	= 0 = 0															
GENERAL TOLERANCES (UNLESS SPECIFIED)	<table border="1"> <tr> <th></th> <th>mm</th> <th>INCH</th> </tr> <tr> <td>4 PLACES</td> <td>± .005</td> <td>± .0004</td> </tr> <tr> <td>3 PLACES</td> <td>± .003</td> <td>± .0002</td> </tr> <tr> <td>2 PLACES</td> <td>± .002</td> <td>± .0001</td> </tr> <tr> <td>1 PLACE</td> <td>± .001</td> <td>± .00005</td> </tr> </table>		mm	INCH	4 PLACES	± .005	± .0004	3 PLACES	± .003	± .0002	2 PLACES	± .002	± .0001	1 PLACE	± .001	± .00005
	mm	INCH														
4 PLACES	± .005	± .0004														
3 PLACES	± .003	± .0002														
2 PLACES	± .002	± .0001														
1 PLACE	± .001	± .00005														
ANGULAR	± 2 °															

DRAWN BY: AZR DATE: 2004/03/16		TITLE: SMB PLUG, R/A FOR RG316 50 OHMS, EWR-1675 SMB-PC	
CHECKED BY: SSS DATE: 2004/03/16		APPROVED BY: JDW DATE: 2004/04/16	
MATERIAL NO. SEE TABLE		DOCUMENT NO. SD-73404-074	
DRAFT WHERE APPLICABLE MUST REMAIN WITHIN DIMENSIONS		SHEET NO. 1 OF 1	
THIS DRAWING CONTAINS INFORMATION THAT IS PROPRIETARY TO MOLEX INCORPORATED AND SHOULD NOT BE USED WITHOUT WRITTEN PERMISSION			